

公司产品类别

Company product category

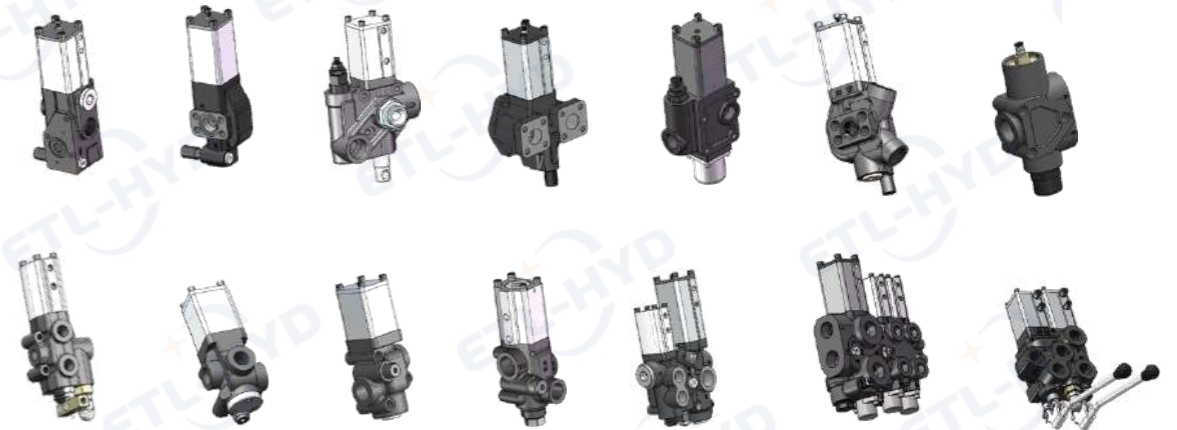


台州永畅液压机械有限公司
Taizhou Eternal Hydraulic Machine Co.,Ltd.

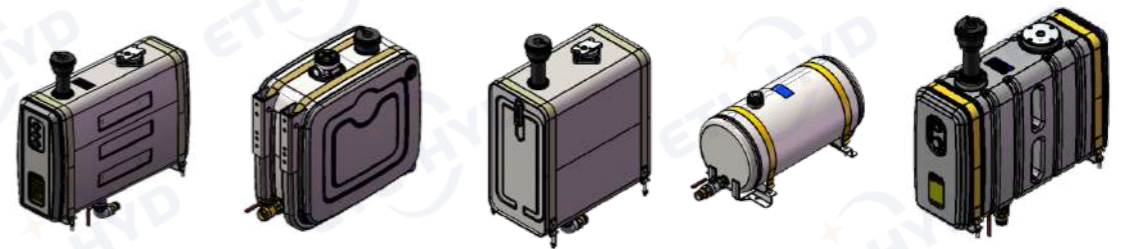
气
阀
类



液
压
阀



油
箱
类

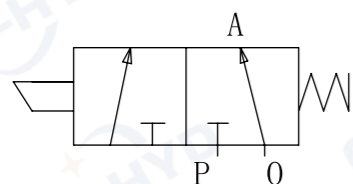


QXFF-A 气限位阀 limit valve

产品外形
Product appearance



液压符号
Hydraulic symbol



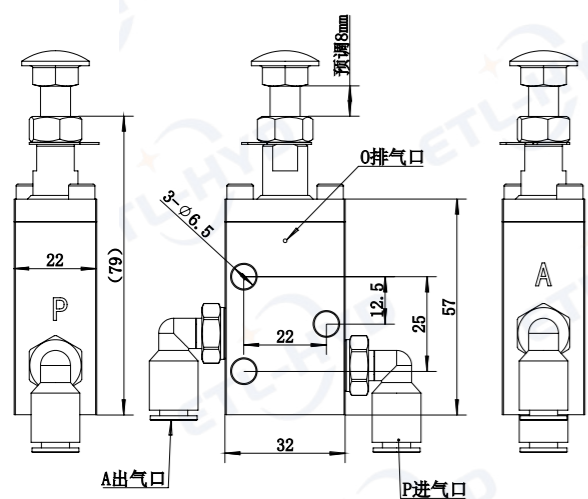
产品特性 Product features

- ◆ QXFF-A 常闭气限位阀该阀在常态下为进气口与出气口不通，限位杆压入阀体后，进气口与出气口通气
The normally closed limit valve is normally closed between the air inlet and the air outlet. After the limit rod is pressed into the valve body, the air inlet and the air outlet are ventilated.
- ◆ 常闭限位阀适用于卸车带有后门锁紧装置，后门打开后，后门锁紧缸触碰到限位杆，出气口通气，压缩空气进入车厢的举升下降开关
The normally closed limit valve is suitable for the lift-down switch of the dump truck with the rear door locking device. After the rear door is opened, the rear door locking cylinder touches the limit rod, the air outlet is ventilated, and the compressed air enters the lift and lower switch of the cabin.

技术参数 Technical parameter

1. 可调范围 (Adjustable range) : 0-10mm.
2. 有效行程 (Effective itinerary) : 2.5-6mm.
3. 通径 (Air channel diameter) : $\varnothing 4$ mm.
4. 控制气压 (Control air pressure): 0.6-1MPa.
5. 工作温度 (Operating temperature): -20to+80°C.

外形尺寸 External dimensions

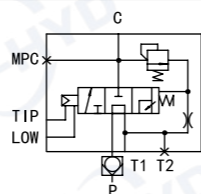


BHFA-Q20L 比例气控换向阀 Hydraulic valve

产品外形
Product appearance



液压符号
Hydraulic symbol



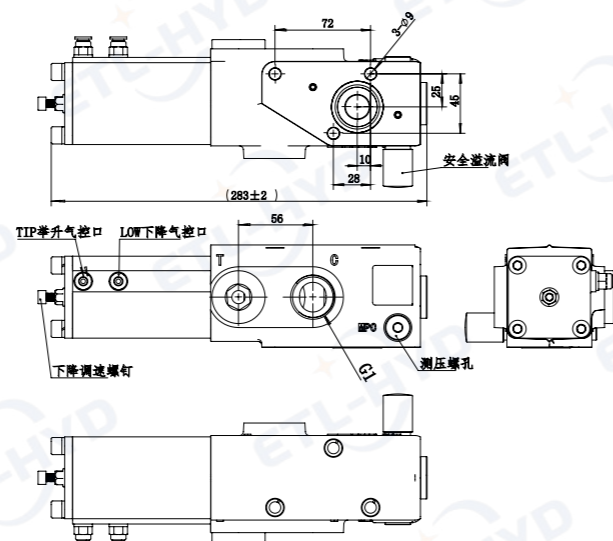
产品特性 Product features

- ◆ 适用于前顶多级缸的控制，可利用下置回油口 T 装配在油箱回油座上直接回油。也可选择侧置回油口 T1，采用管式回油。
It is suitable for the control of the front top multi-stage cylinder, and the lower oil return port T can be assembled on the valve seat of the oil tank to return the oil directly. The side oil return port T1 can also be selected, and the pipe type oil return is adopted.
- ◆ 远程气压控制车厢升、降和比例慢降功能。
Remote air pressure control truck up, down and proportional slow down function.
- ◆ 内设先导式溢流阀、进油单向阀，可设定系统压力。
It is equipped with a pilot-operated relief valve and an oil inlet check valve, which can set the system pressure.

技术参数 Technical parameter

1. 额定压力 (Rated pressure):25Mpa.
2. 通径 (Oil channel diameter): 20mm.
3. 额定流量 (Rated flow): 220L/min.
4. 控制气压 (Control air pressure): 0.6-1Mpa.
5. 工作温度 (Working temperature): -20 to+80°C.

外形尺寸 External dimensions

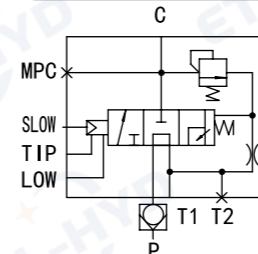


BHFA-Q20L-B 慢降气控换向阀 Hydraulic valve

产品外形
Product appearance



液压符号
Hydraulic symbol



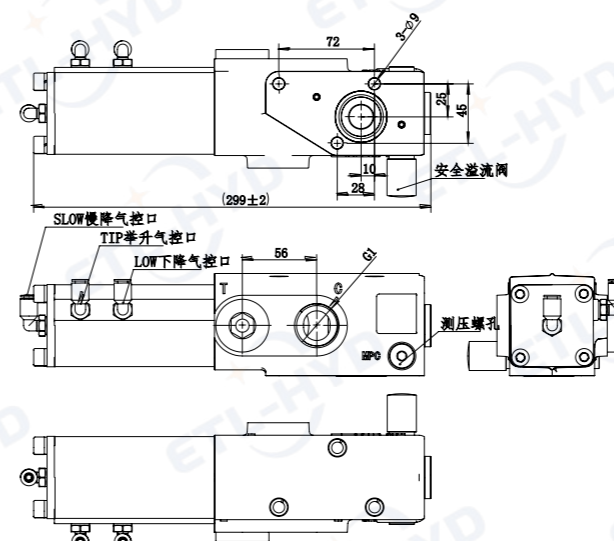
产品特性 Product features

- ◆ 适用于前顶多级缸的控制，可利用下置回油口 T 装配在油箱回油座上直接回油。也可选择侧置回油口 T1，采用管式回油。
It is suitable for the control of the front top multi-stage cylinder, and the lower oil return port T can be assembled on the valve seat of the oil tank to return the oil directly. The side oil return port T1 can also be selected, and the pipe type oil return is adopted.
- ◆ 远程气压控制车厢升、降和比例慢降功能。
Remote air pressure control truck lift, lower and proportional slow down function.
- ◆ 内设先导式溢流阀、进油单向阀，可设定系统压力。
It is equipped with a pilot-operated relief valve and an oil inlet check valve, which can set the system pressure.

技术参数 Technical parameter

1. 额定压力 (Rated pressure):25Mpa.
2. 通径 (Oil channel diameter): 20mm.
3. 额定流量 (Rated flow): 220L/min.
4. 控制气压 (Control air pressure): 0.6-1Mpa.
5. 工作温度 (Working temperature): -20 to+80°C.

外形尺寸 External dimensions

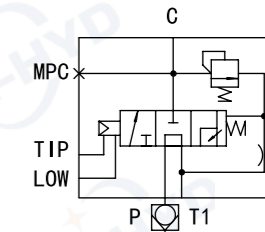


BHFA-Q20B-A 比例气控换向阀 Hydraulic valve

产品外形
Product appearance



液压符号
Hydraulic symbol



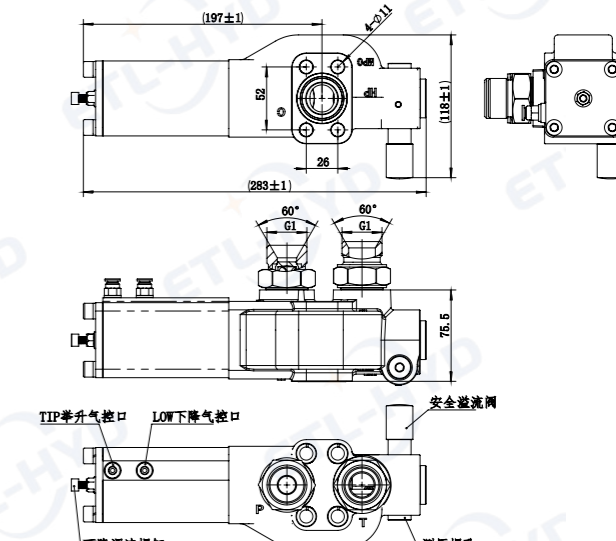
产品特性 Product features

- ◆ 利用双侧 C 出油口法兰，装配在油缸进油口，形成缸阀一体式（具防爆能力）装配，
Using the double-sided C oil outlet flange, it is assembled on the oil inlet port of the oil cylinder, form a cylinder valve integrated (with explosion-proof capability) assembly
- ◆ 远程气压控制车厢升、降和比例慢降功能。
Remote air pressure control up, down and proportional slow down functions.
- ◆ 内设先导式溢流阀，可设定系统压力。
There is a pilot-operated relief valve inside, which can set the system pressure.

技术参数 Technical parameter

1. 额定压力 (Rated pressure):25Mpa.
2. 通径 (Oil channel diameter): 20mm.
3. 额定流量 (Rated flow): 220L/min.
4. 控制气压 (Control air pressure): 0.6-1Mpa.
5. 工作温度 (Working temperature): -20 to+80°C.

外形尺寸 External dimensions

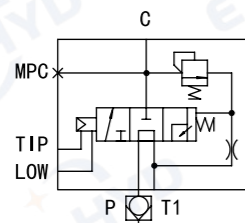


BHFB-Q20B-B 比例气控换向阀 Hydraulic valve

产品外形 Product appearance



液压符号 Hydraulic symbol



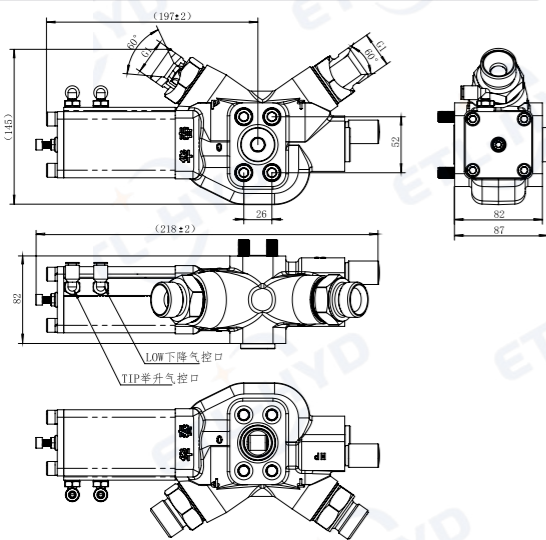
产品特性 Product features

- ◆ 利用双侧 C 出油口法兰，装配在油缸进油口，形成缸阀一体式（具防爆能力）装配，可根据油泵位置选择左、右双向安装方式。
Using the double-sided C oil outlet flange, it is assembled at the oil inlet of the oil cylinder to form an integrated cylinder valve (with explosion-proof capability) assembly. The left and right bidirectional installation methods can be selected according to the position of the oil pump.
- ◆ 具有控制车厢升、降和比例慢降功能。
It has the functions of controlling the lifting, lowering and proportional slow lowering of the dump truck.
- ◆ 内设先导式溢流阀，可设定系统压力。
There is a pilot-operated relief valve inside, which can set the system pressure.

技术参数 Technical parameter

1. 额定压力 (Rated pressure): 25Mpa.
2. 通径 (Oil channel diameter): 20mm.
3. 额定流量 (Rated flow): 220L/min.
4. 控制气压 (Control air pressure): 0.6-1Mpa.
5. 工作温度 (Working temperature): -20 to +80°C.

外形尺寸 External dimensions

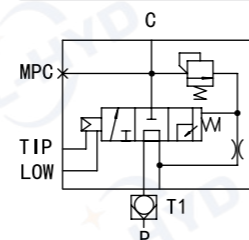


BHFC-Q20B-A 比例气控换向阀 Hydraulic valve

产品外形 Product appearance



液压符号 Hydraulic symbol



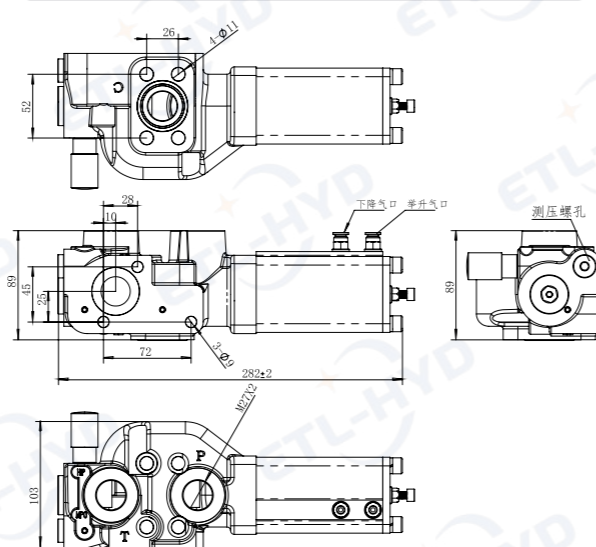
产品特性 Product features

- ◆ 适用于前顶多级缸的控制，可利用下置回油口 T 装配在油箱回油口直接回油。也可用 C 口法兰直接装配在油缸进油口。
It is suitable for the control of the front top multi-stage cylinder, and the lower oil return port T can be assembled on the valve seat of the oil tank to return the oil directly. It can also be directly assembled on the oil inlet of the cylinder with the C-port flange.
- ◆ 实现控制车厢升、降和比例慢降功能。
Realize the function of controlling the lift, lower and proportional slow down of the truck.
- ◆ 内设先导式溢流阀、进油单向阀，可设定系统压力。
It is equipped with a pilot-operated relief valve and an oil inlet check valve, which can set the system pressure.

技术参数 Technical parameter

1. 额定压力 (Rated pressure): 25Mpa.
2. 通径 (Oil channel diameter): 20mm.
3. 额定流量 (Rated flow): 220L/min.
4. 控制气压 (Control air pressure): 0.6-1Mpa.
5. 工作温度 (Working temperature): -20 to +80°C.

外形尺寸 External dimensions

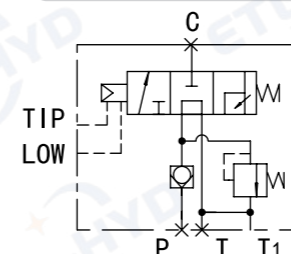


BHFA-Q25L-A 比例气控举升阀 Hydraulic valve

产品外形 Product appearance



液压符号 Hydraulic symbol



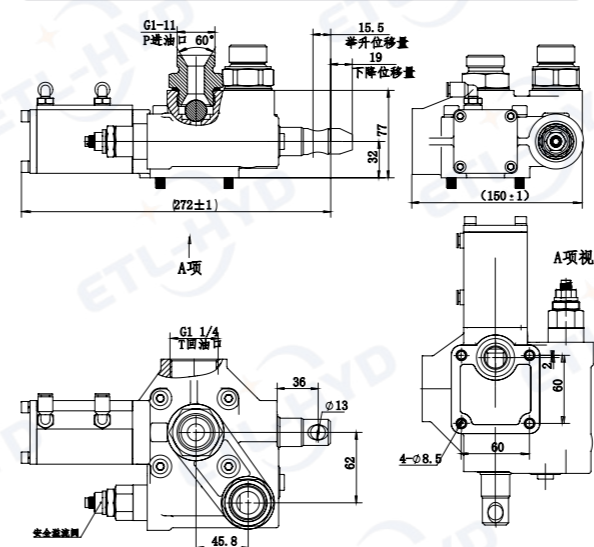
产品特性 Product features

- ◆ 适用于前顶多级缸的控制，可利用下置回油口 T 装配在油箱回油口直接回油。也可选择侧置回油口 T1，采用管式回油。
It is suitable for the control of the front top multi-stage cylinder, and the lower oil return port T can be assembled on the valve seat of the oil tank to return the oil directly. The side oil return port T1 can also be selected, and the pipe type oil return is adopted.
- ◆ 远程气压控制车厢升、降和比例慢降功能。
Remote air pressure control truck lift, lower and proportional slow down function.
- ◆ 内设先导式溢流阀、进油单向阀，可设定系统压力。
It is equipped with a pilot-operated relief valve and an oil inlet check valve, which can set the system pressure.

技术参数 Technical parameter

1. 额定压力 (Rated pressure): 25Mpa.
2. 通径 (Oil channel diameter): 25mm.
3. 额定流量 (Rated flow): 220L/min.
4. 控制气压 (Control air pressure): 0.6-1Mpa.
5. 工作温度 (Working temperature): -20 to +80°C.

外形尺寸 External dimensions

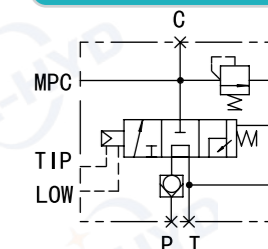


BHFA-Q32B-A 比例气控换向阀 Hydraulic valve

产品外形 Product appearance



液压符号 Hydraulic symbol



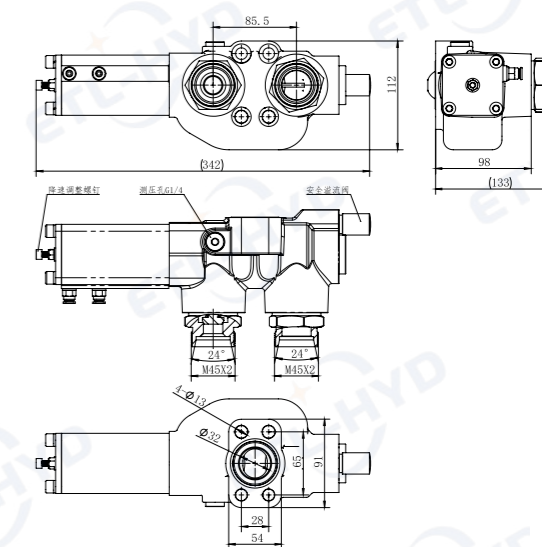
产品特性 Product features

- ◆ 适用大流量矿用车辆液压系统，利用双侧 C 出油口法兰，装配在油缸进油口，形成缸阀一体式（具防爆能力）装配。
It is suitable for the hydraulic system of large-flow mining vehicles. It uses the double-sided C oil outlet flange to be assembled at the oil inlet of the oil cylinder to form an integrated cylinder valve (with explosion-proof capability) assembly.
- ◆ 具有控制车厢升、降和比例慢降功能。
It has the function of controlling the lift, drop and proportional slow drop of the truck.
- ◆ 内设先导式溢流阀，可设定系统压力。
There is a pilot-operated relief valve inside, which can set the system pressure.

技术参数 Technical parameter

1. 额定压力 (Rated pressure): 25Mpa.
2. 通径 (Oil channel diameter): 32mm.
3. 额定流量 (Rated flow): 320L/min.
4. 控制气压 (Control air pressure): 0.6-1Mpa.
5. 工作温度 (Working temperature): -20 to +80°C.

外形尺寸 External dimensions

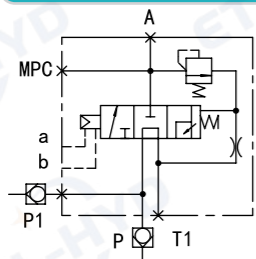


BHFA-Q32L-A 比例气控分配阀 Hydraulic valve

产品外形 Product appearance



液压符号 Hydraulic symbol



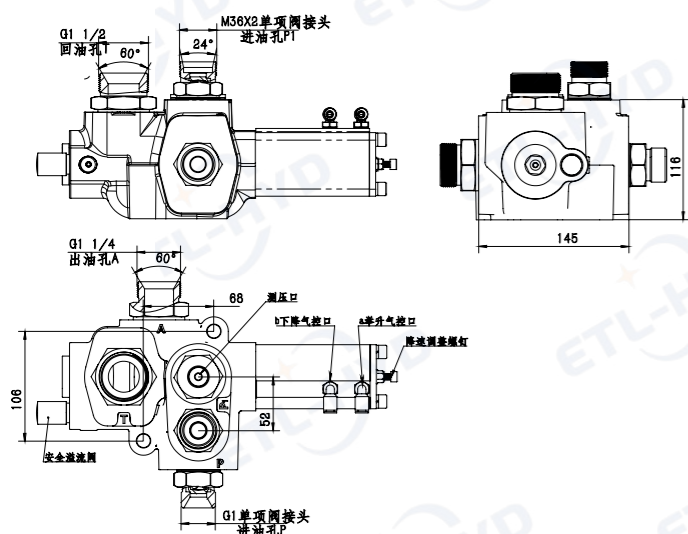
产品特性 Product features

- ◆ 适用举升油泵和转向油泵合流矿用液压系统，双进油口设有单向阀，通径大。
It is suitable for the hydraulic system of mining trucks where the lift oil pump and the steering oil pump are combined.
- ◆ 具有控制车厢升、降和比例慢降功能。
It has the function of controlling the lift, drop and proportional slow drop of the truck.
- ◆ 内设先导式溢流阀，可设定系统压力。
There is a pilot-operated relief valve inside, which can set the system pressure.

技术参数 Technical parameter

1. 额定压力 (Rated pressure): 25Mpa.
2. 通径 (Oil channel diameter): 32mm.
3. 额定流量 (Rated flow): 320L/min.
4. 控制气压 (Control air pressure): 0.6-1Mpa.
5. 工作温度 (Working temperature): -20 to +80°C.

外形尺寸 External dimensions

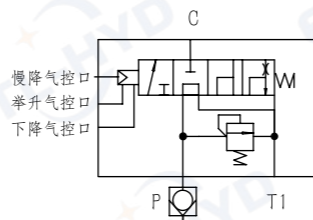


HXFC-Q15L-A 慢降气控换向阀 Hydraulic valve

产品外形 Product appearance



液压符号 Hydraulic symbol



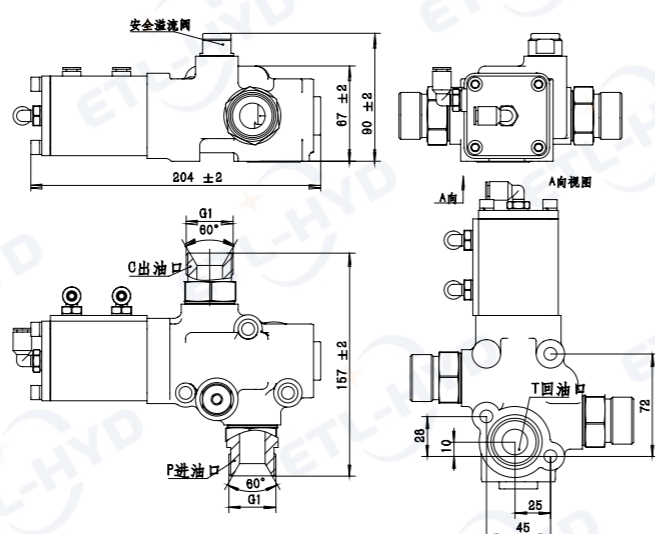
产品特性 Product features

- ◆ 适用于农用轻卡前顶自卸车液压系统，可用下置回油口 T 装配在油箱阀座直接回油。
It is suitable for the hydraulic system of agricultural light truck front top dump trucks. Use the lower oil return port T to install on the valve seat of the oil tank to return the oil directly.
- ◆ 内设安全溢流阀、可设定系统压力。
Built-in safety relief valve, can set the system pressure.
- ◆ 可采用控制气阀，远程气控换向控制。
Control air valve and remote air control reversing control can be used

技术参数 Technical parameter

1. 额定压力 (Rated pressure): 9-16Mpa.
2. 通径 (Oil channel diameter): 15mm
3. 额定流量 (Rated flow): 60L/min
4. 控制气压 (Control air pressure): 0.6-1Mpa.
5. 工作温度 (Working temperature): -20 to +80°C.

外形尺寸 External dimensions

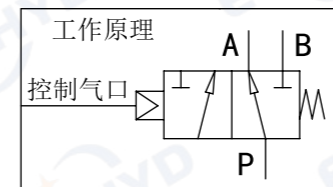


HXFE-Q25L-A 气控换向阀 Y 型 Hydraulic valve

产品外形 Product appearance



液压符号 Hydraulic symbol



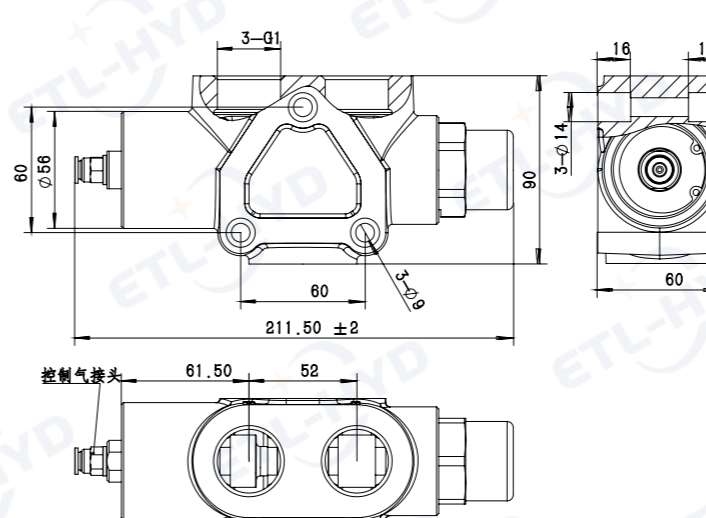
产品特性 Product features

- ◆ 适用于双油路切换控制，控制气缸未通气状态，油口 P 与油口 A 双向常通，控制气缸通气后，油口 P 与油口 B 双向常通，与油口 A 关闭。
It is suitable for dual oil circuit switching control. It controls the non-vented state of the cylinder, and the oil port P and the oil port A are normally connected in both directions. After the control cylinder is ventilated, the oil port P and the oil port B are normally connected in both directions, and the oil port A is closed.
- ◆ 可正反双侧装配，通径大体积小、内泄小。
It can be assembled on both sides, with large diameter and small volume, and small internal leakage.

技术参数 Technical parameter

1. 最高承压压力 (Maximum bearing pressure): 35Mpa.
2. 通径 (Oil channel diameter): 25mm.
3. 额定流量 (Rated flow): 250L/min.
4. 控制气压 (Control air pressure): 0.6-1Mpa.
5. 工作温度 (Working temperature): -20 to +80°C.

外形尺寸 External dimensions

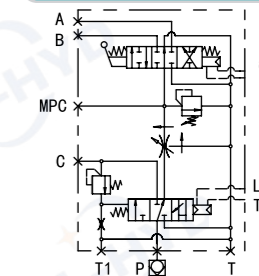


ZDLA-Q20L-A 整体分流组合阀 Hydraulic valve

产品外形 Product appearance



液压符号 Hydraulic symbol



产品特性 Product features

- ◆ 适用于单泵多油缸渣土车液压系统，具有控制车厢升降和顶盖启闭功能；
It is suitable for the hydraulic system of the single-pump and multi-cylinder muck truck, and has the functions of controlling the lift of the carriage and the opening and closing of the top cover;
- ◆ 具有油箱阀座和分体式装配方式；
With tank valve seat and split assembly;
- ◆ 可分别设定车厢和顶盖压力；
The pressure of the compartment and the roof can be set separately;
- ◆ 实现动态稳流和流量设定；
Realize dynamic steady flow and flow setting

技术参数 Technical parameter

1. 最大流量 (Maximum flow): 220L/min;
2. 主换向阀最大压力 (Main reversing valve maximum pressure): 25Mpa;
3. 支路换向阀额定压力 (Branch reversing valve rated pressure): 16Mpa;
4. 支路调节流量 (Branch regulating flow): 20-40L/min;
5. 控制气压 (control air pressure): 0.6-1Mpa;

外形尺寸 External dimensions

