

T6系列叶片泵 T6 Series Vane Pump



■ T6系列单泵 T6 Series Single Pump

T6C	-17	-1	R	00	-A	1
系列号 Code of series	排量代号 Displacement code	轴伸形式 Shaft type	旋转方向 Direction of rotation	出油口位置 Outlet port position	设计号 Design No.	密封等级 Sealing level
T6C	03, 05, 06, 08, 10, 12, 14, 17, 20, 22, 25, 28, 31	见轴伸尺寸 See of Shaft	(从泵的轴端看) (Viewed from the shaft end of pump)		A	1-S1, 丁腈橡胶 NBR Nitrile rubber 5-S5, 氟橡胶 Fluoro rubber
T6D	14, 17, 20, 24, 28, 31, 35, 38, 42, 45, 50, 61		R-顺时针旋转 R-Clockwise rotation L-逆时针旋转 L-Counterclockwise rotation	00-进油口对面 00-Opposite inlet port 01-进油口同侧 01-Inline with inlet 02-从进油口逆时针90° 02-90° CCW from inlet 03-从进油口顺时针90° 03-90° CW from inlet		
T6E	42, 45, 50, 52, 57, 62, 66, 72, 85					

■ T6系列双泵 T6 Series Double Pump

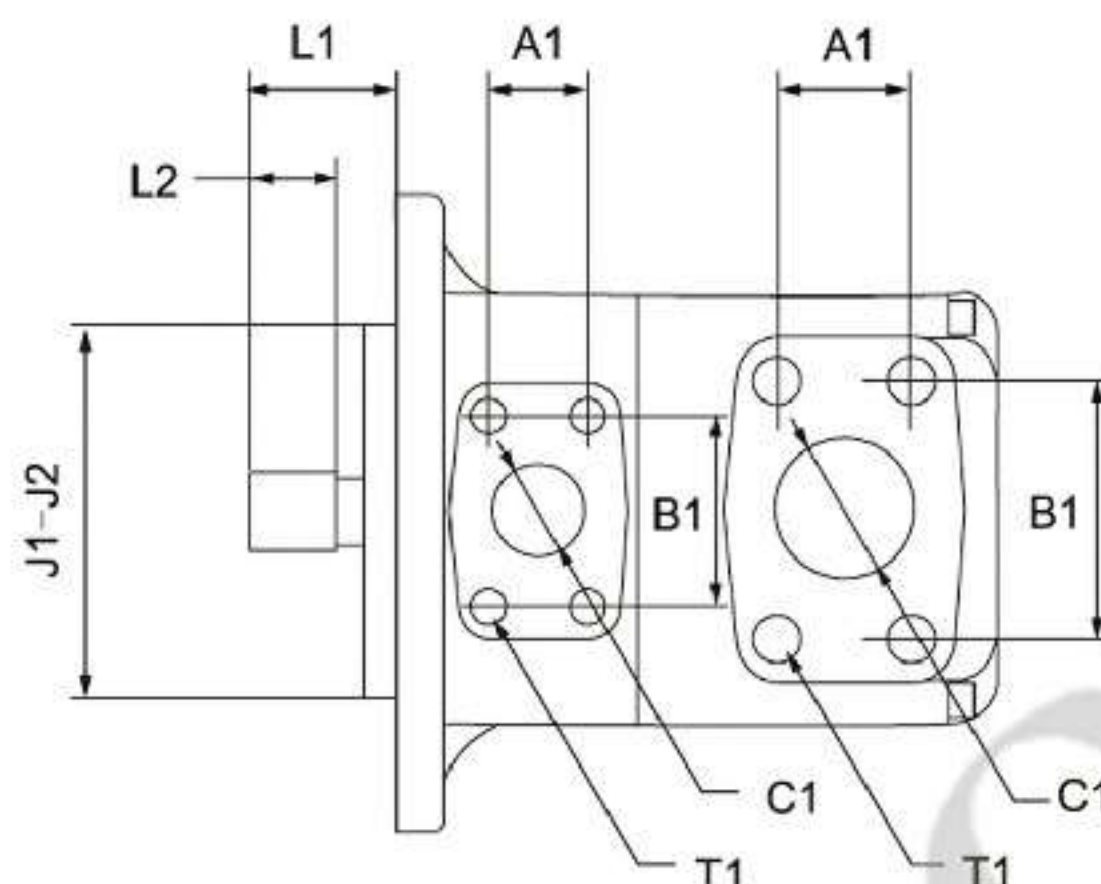
T6CC	-25	-17	-1	R	02	-C	1	10
系列号 Code of series	前泵排量代号 Displacement of front pump	后泵排量代号 Displacement of rear pump	轴伸形式 Shaft type	旋转方向 Rotation	油口位置 Port positions	设计号 Design number	密封等级 Sealing level	油口尺寸 Port dimensions
T6CC	03, 05, 06, 08, 10, 12, 14, 17, 20, 22, 25, 28, 31	03, 05, 06, 08, 10, 12, 14, 17, 20, 22, 25, 28, 31	见轴伸尺寸 See of shaft	(从泵的轴端看) (viewed from shaft end of pump) R-顺时针旋转 R-Clockwise rotation L-逆时针旋转 L-Counter clockwise rotation	见下图 See pictures below	C	1-S1, 丁腈橡胶 NBR Nitrile rubber 5-S5, 氟橡胶 Fluoro rubber	00, 01, 10, 11 见安装尺寸 See installation dimension
T6DC	14, 17, 20, 24, 28, 31, 35, 38, 42, 45, 50, 61	03, 05, 06, 08, 10, 12, 14, 17, 20, 22, 25, 28, 31						无此选项 No options
T6EC	42, 45, 50, 52, 57, 62, 66, 72, 85	03, 05, 06, 08, 10, 12, 14, 17, 20, 22, 25, 28, 31						
T6ED	42, 45, 50, 52, 57, 62, 66, 72, 85	14, 17, 20, 24, 28, 31, 35, 38, 42, 45, 50, 61						

■ T6系列三联泵 T6 Series Triple Pump

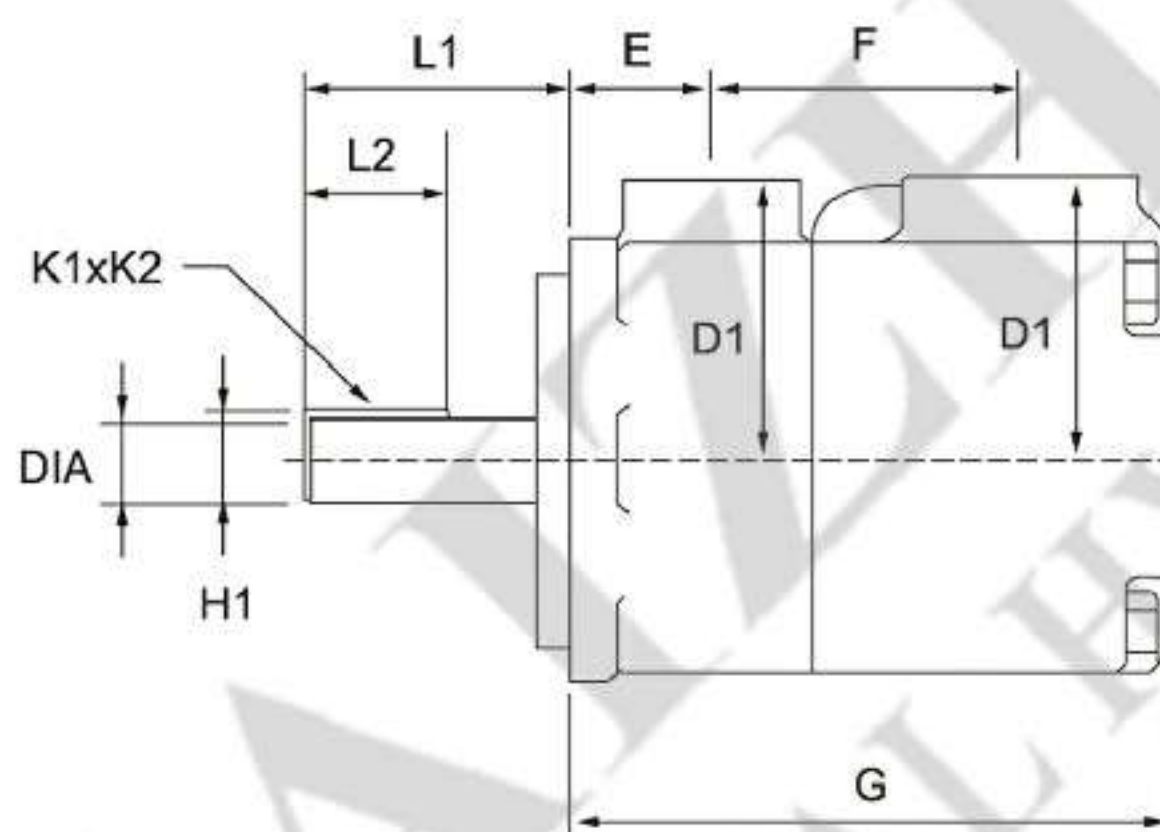
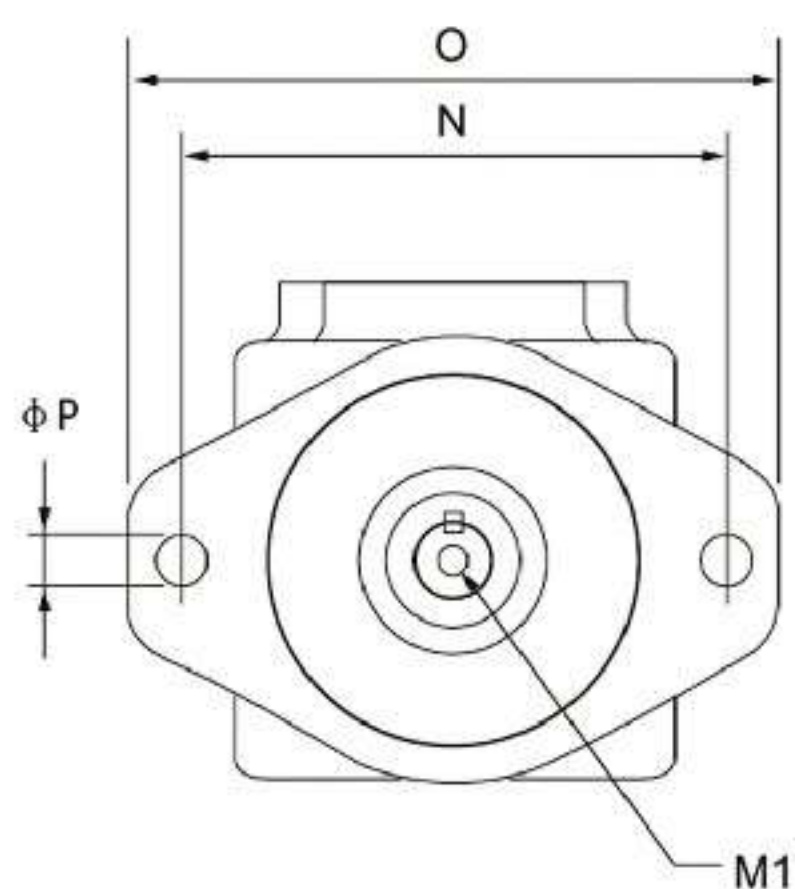
T6DCC	-42	-17	-10	-1	-R	02	-A	1	01
系列号 Code of series	前泵排量代号 Displacement of front pump	中间泵排量代号 Displacement of middle pump	后泵排量代号 Displacement of rear pump	轴伸形式 Shaft type	旋转方向 Rotation	油口位置 Port positions	设计号 Design NO.	密封等级 Sealing level	油口尺寸 Port dimensions
T6CCC	14, 17, 20, 24, 28, 31, 35, 38, 42, 45, 50, 61	03, 05, 06, 08, 10, 12, 14, 17, 20, 22, 25, 28, 31	03, 05, 06, 08, 20, 22, 25, 28, 10, 12, 14, 17, 31	见轴伸尺寸 See of shaft	(从泵的轴端看) (Viewed from shaft end of pump) R-顺时针旋转 R-Clockwise Rotation L-逆时针旋转 L-Counter clockwise rotation	见下图 See pictures below	A	1-S1, 丁腈橡胶 NBR Nitrile rubber 5-S5, 氟橡胶 Fluoro rubber	00, 01 见安装连接尺寸 See installation dimensions
T6DCCS	14, 17, 20, 24, 28, 31, 35, 38, 42, 45, 50, 61	14, 17, 20, 24, 28, 31, 35, 38, 42, 45, 50, 61	03, 05, 06, 08, 10, 12, 14, 17, 20, 22, 25, 28, 31						
T6EDC T6EDCS	42, 45, 50, 52, 57, 62, 66, 72, 85	14, 17, 20, 24, 28, 31, 35, 38, 42, 45, 50, 61	03, 05, 06, 08, 10, 12, 14, 17, 20, 22, 25, 28, 31						

■ 安装连接尺寸 Installation Size

T6C
T6D
T6E



T6C		T6D	T6E
E	38.1	38.1	52.3
F	82.3	87.4	110.0
G	161.6	184.9	225.3
J1	101.60	127.00	127.00
J2	101.55	126.95	126.95
N	146.1	181.0	181.0
O	174.5	212.4	213.0
φP	14.3	17.5	17.5



型号 Model	轴伸代号 Shaft code	最大扭矩 Max torque (N. m)	L1	L2	DIA	K1xK2	H1	M1
T6C	1	275	71.4	38.1	22.225/22.200	6.35x6.30	24.95	M8x16
	2	238	58.2	31.7	22.225/22.200	4.76x4.71	24.53	-
	3	343	40.7	24.5	SAE J498b 1级, 径节 16/32, 13牙		-	-
	4	●	45.5	24.5	SAE J498b 1级, 径节 16/32, 15牙		-	-
T6D	1	●	83.6	49.3	31.750-31.700	7.94x7.89	35.27	M10x20
	2	577	73.2	38.1	31.750-31.700	7.94x7.89	35.27	-
	3	●	55.2	38.0	SAE J498b 1级, 径节 12/24, 14牙		-	-
	4	●	77.7	48.0	SAE J498b 1级, 径节 12/24, 14牙		-	-
T6E	1	●	90.9	50.8	38.100-38.050	9.52x9.47	42.36	M10x20
	2	577	61.9	38.1	31.750-31.700	7.94x7.89	35.27	-
	3	●	55.2	38.0	SAE J498b 1级, 径节 12/24, 14牙		-	-
	4	●	62.2	31.5	SAE J498b 1级, 径节 12/24, 17牙		-	-

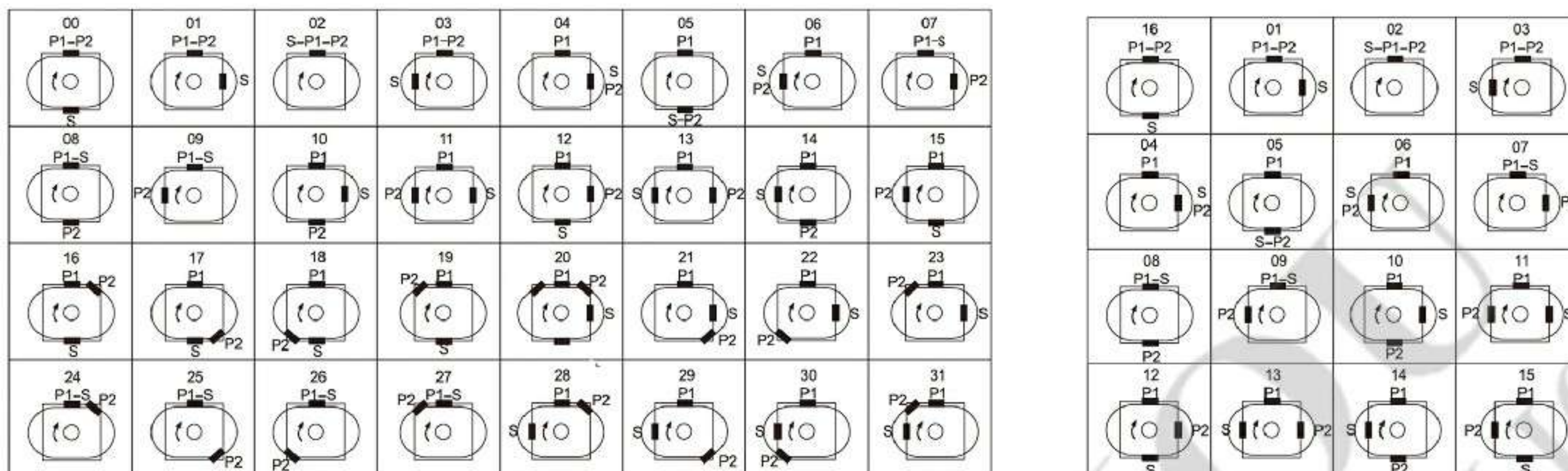
●能在最大流量, 最高压力下工作。 ●work at maximum flow and pressure.

油口/oil port	法兰 Flange	安装尺寸/Install Dimensions (mm)					
		A1	B1	φC1	D1	T1口螺纹 Thread	
T6C	P 1"	F08	26.2	52.4	25.4	76.2	3/8"-16UNCx19.0
	S 1-1/2"	F12	35.8	70.0	38.1	76.2	1/2"-13UNCx22.4
T6D	P 1-1/4"	F10	30.2	58.7	31.8	82.6	7/16"-14UNCx22.3
	S 2"	F16	42.9	77.8	50.8	82.6	1/2"-13UNCx23.9
T6E	P 1-1/2"	F12	35.7	69.8	37.1	98.6	1/2"-13UNCx23.4
	S 3"	F24	61.9	103.4	75.0	98.6	5/8"-11UNCx24.0

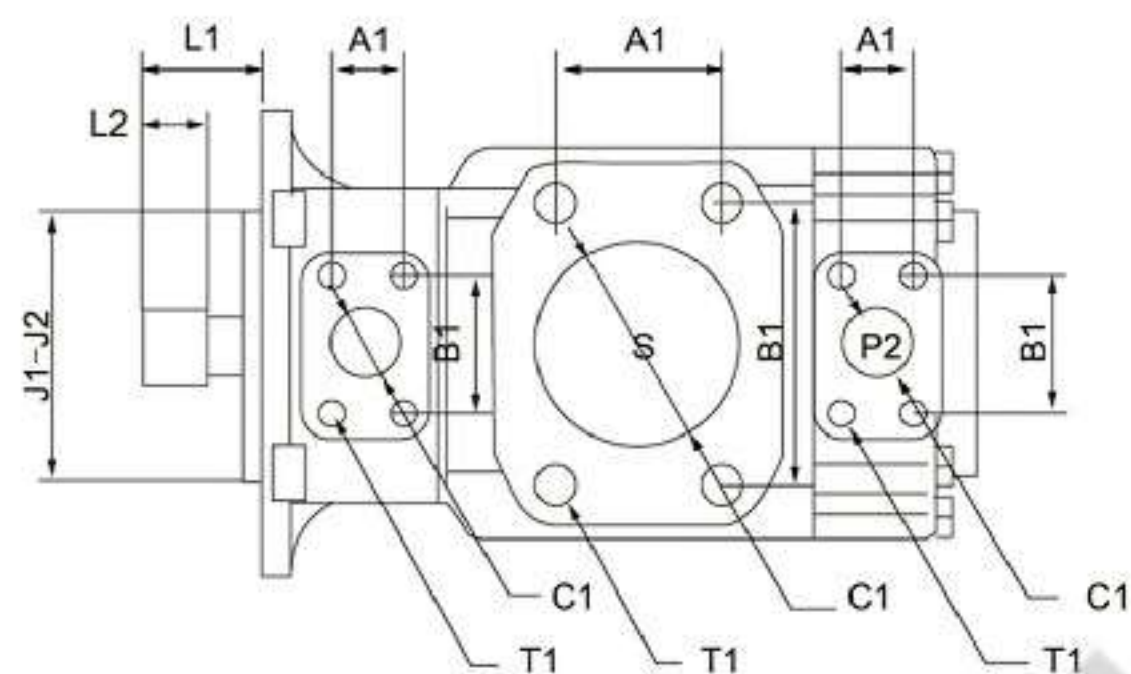
油口位置(从泵的轴端看) Port Position (View from Shaft End of Pump)

T6CC T6DC T6EC

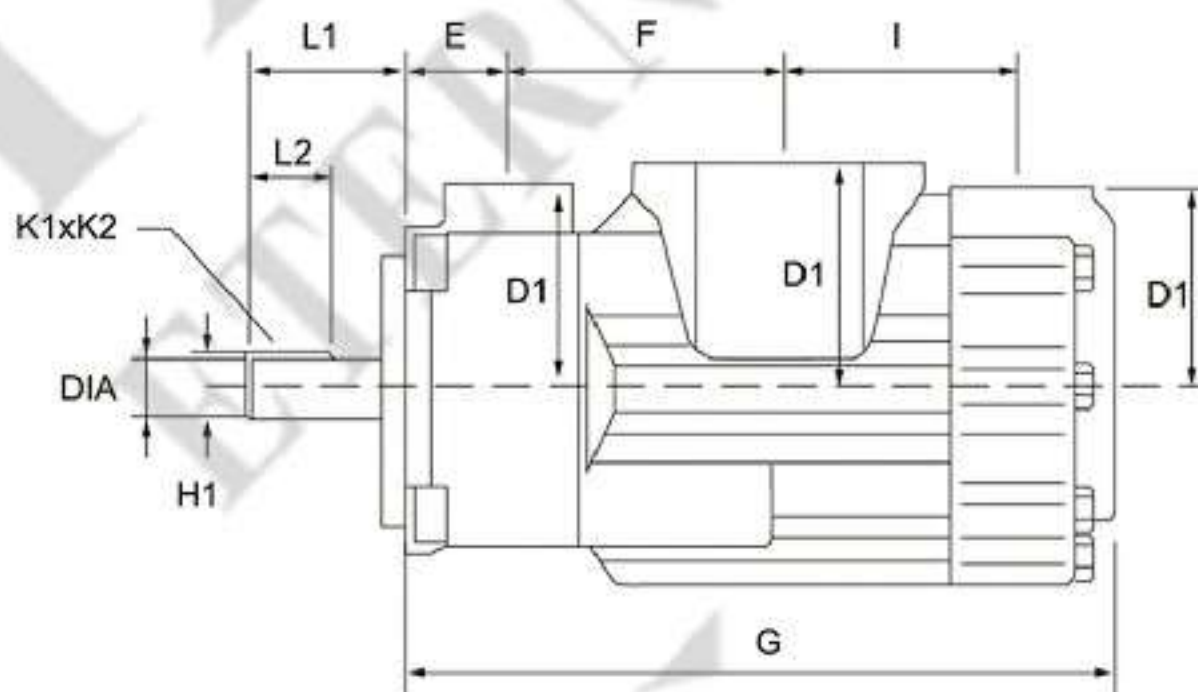
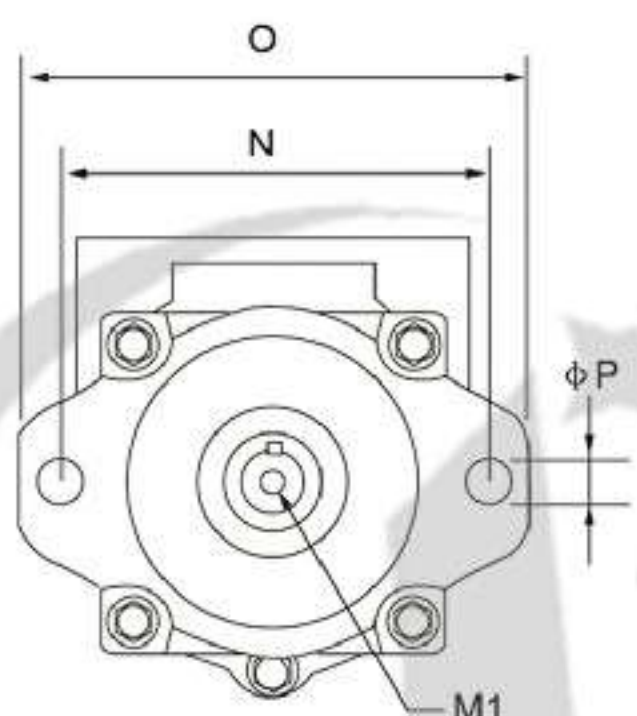
T6ED



安装连接尺寸 Installation Dimension



	T6CC	T6DC	T6EC	T6ED
E	38.1	38.1	52.3	52.3
F	101.6	114.3	118.5	133.5
G	265.6	286.0	331.6	361.0
1	88.2	109.5	136.7	148.0
J1	101.60	127.00	127.00	127.00
J2	101.55	126.95	126.95	126.95
N	148.0	181.0	161.0	181.0
O	174.5	215.4	213.0	213.0
ΦP	14.3	17.5	17.5	17.5



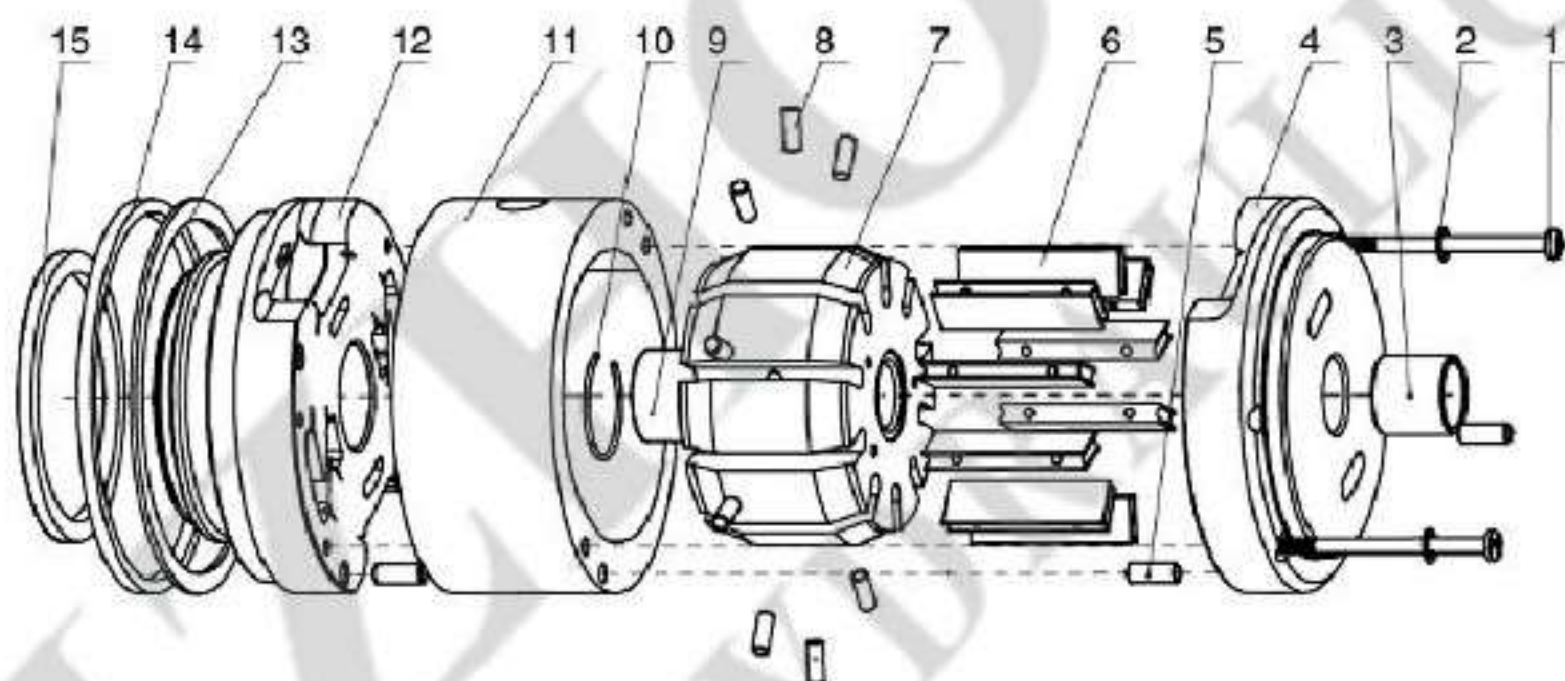
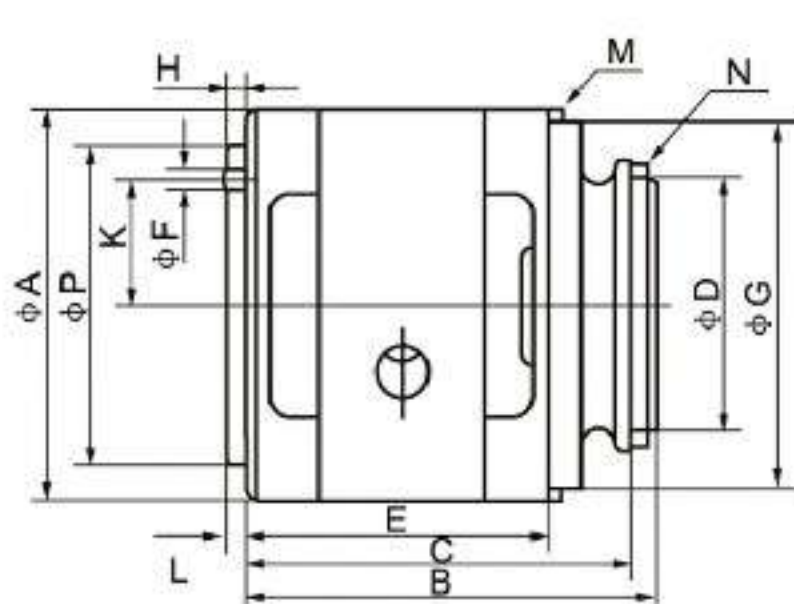
油口/oil port	法兰 Flange	尺寸/Dimensions (mm)						
		A1	B1	φC1	D1	T1 口螺纹 Thread UNC		
T6CC	P1	1"	F08	26.2	52.4	25.4	76.2	3/8"-16UNCx19.0
	P2	01-11:3/4"	F06	22.2	47.7	19.0	76.2	3/8"-16UNCx19.0
		00-10:1"	F08	26.2	52.4	25.4	74.7	3/8"-16UNCx19.0
	S	10-11:2-1/2"	F20	50.8	88.9	63.5	84.1	1/2"-13UNCx23.9
00-01:3"		F24	61.9	106.4	76.2	84.1	5/8"-11UNCx28.4	
T6DC	P1	1-1/4"	F10	30.2	58.7	31.8	82.6	7/16"-14UNCx22.3
	P2	1"	F08	26.2	52.4	25.0	74.7	3/8"-16UNCx19.0
	S	3"	F24	62.0	106.4	76.0	88.9	5/8"-11UNCx28.4
T6EC	P1	1-1/2"	F12	35.7	69.8	37.1	98.4	1/2"-13UNCx23.4
	P2	1"	F08	26.2	52.4	25.0	74.7	3/8"-16UNCx19.0
	S	3-1/2"	F28	69.9	120.6	88.9	102.4	5/8"-11UNCx28.4
T6ED	P1	1-1/2"	F12	35.7	69.8	37.1	98.4	1/2"-13UNCx23.4
	P2	1-1/4"	F10	30.2	58.7	29.5	101.6	7/16"-14UNCx24.0
	S	4"	F32	77.8	130.2	101.6	102.4	5/8"-11UNCx30.0

■ T6 系列泵芯 T6 Series Cartridge Kit

PC 泵芯标记 Cartridge kit mark	-T6DC 系列号 Models	-45 排量代号 Displacement code	R 旋转方向 Rotation	-1 密封等级 Sealing level
PC-单泵泵芯 & 双联或三联泵前泵芯 PC-Single pump kit & double or triple pump front kit	T6C, T6CC, T6DC, T6EC, T6DCC, T6DDCS, T6EDC(S),	03, 05, 06, 08, 10, 12, 14, 17, 20, 22, 25, 28, 31	(从泵的轴端看) (Viewed from shaft end of pump) R-顺时针旋转 R-Clockwise rotation L-逆时针旋转 L-Counterclockwise rotation	1-S1, 丁腈橡胶 NBR Nitrile rubber 5-S5, 氟橡胶 Fluoro rubber
PCT2-三联泵中泵芯 PCT2-Triple pump middle kit	T6D, T6DC, T6ED, T6DCC, T6DDCS, T6EDC,	14, 17, 20, 24, 28, 31, 35, 38, 42, 45, 50, 61		
PCT-双联泵或三联泵后泵芯 PCT-Double or triple pump rear kit	T6E, T6EC, T6ED, T6EDC(S),	42, 45, 50, 52, 57, 62, 66, 72, 85		

与相应系列、规格的单泵性能参数一致，详见T6单泵的性能参数。

The data of relevant series, model are unanimous, please refer to Page T6 single pump specification.



泵芯名称 Cartridge name	滑动轴承内径 Sliding bearing diameter	ϕA	B	C	ϕD	E	ϕF	ϕG	H	K	M(橡胶平垫圈 Rubber washer)	N(橡胶平垫圈 Rubber washer)	ϕP	L
单泵芯T6C	$\phi 15.9$	95.25	99.4	93.9	61.9	72.1	4.8	89.1	4.8	43.7	88.5x3.53	60x3.53	77.7	5.5
前泵芯T6CC	无滑动轴承 No sliding bearing													
后泵芯T6CC、T6DCC、T6DDCS、T6EDC(S)	$\phi 19.05$													
后泵芯T6DC、T6EC	$\phi 22.225$	95.25	83.4	77.3	52.6	\	4.8	\	4.8	43.7	89x2.4	52x2.4	77.7	5.5
中泵芯T6DCC	无滑动轴承 No sliding bearing													
单泵芯T6D、前泵芯T6DCC	$\phi 22.225$	123.0	132.4	125.8	71.9	102.2	6.4	108.1	8.0	41.2	107.5x3.53	69.5x3.53	无此台阶 No step	
前泵芯T6DC、T6DDCS	无滑动轴承 No sliding bearing													
后泵芯T6ED、中泵芯T6EDC(S)	$\phi 28.6$													
中泵芯T6DDCS	$\phi 22.225$	143.08	150.3	142.5	88.0	113.0	8.0	137.0	8.0	49.2	136.1x3.53	85.3x3.53		
单泵芯T6E	$\phi 28.6$													
前泵芯T6EC、T6ED、T6EDC(S)	无滑动轴承 No sliding bearing													

泵芯名称 Cartridge name	转子内花键齿廓参数 Inside spline tooth outline parameter of rotor				
	齿数 No. of teeth	径节 Pitch	压力角 Standard angle	大径 Major diameter	小径 Minor diameter
前泵芯T6CC、中泵芯T6DCC	32	40/80	45°	21.41	19.9
单泵芯T6C、后泵芯T6CC、T6DC、T6EC、T6DCC、T6DDCS、T6EDC(S)	28	40/80	45°	18.87	17.4
单泵芯T6D、前泵芯T6DC、T6DCC、T6DDCS、中泵芯T6EDC(S)、后泵芯T6ED	25	24/48	45°	28.19	25.8
中泵芯T6DDCS	20	24/48	45°	22.89	20.5
单泵芯T6E、前泵芯T6EC、T6ED、T6EDC(S)	34	24/48	45°	37.72	35.4