

一、P 系列多路阀 P Series Directional Control Valve

P40 系列 P40 Series	1
Z50 电磁控系列 Z50 Solenoid Control Valve	3
P40 系列电液控多路阀 P40 Electric and Hydraulic Control Valve	5
P80 系列 P80 Series	7
P80 电磁控系列 P80 Solenoid Control Valve	9
P80 系列电液控多路阀 P80 Electric and Hydraulic Control Valve	11

二、ZD(ZT)系列多路阀 ZD(ZT) Series Directional Control Valve

ZD-L102 系列 ZD-L102 Series.....	19
BDL-L40 系列 BDL-L40 Series.....	21
ZD-L15 系列 ZD-L15 Series.....	23
ZD-L15 气控系列 ZD-L15 Pneumatic Control Valve.....	25
ZD-L15 电气控系列 ZD-L15 Electric and Pneumatic Control Valve.....	27
ZDa-L15 系列 ZDa-L15 Series.....	29
ZDa-L15 气控系列 ZDa-L15 Pneumatic Control Valve.....	31
ZDa-L15 电气控系列 ZDa-L15 Electric and Pneumatic Control Valve.....	33
ZDa-L15 电液控系列 ZDa-L15 Electric and Hydraulic Control Valve.....	35
ZT-L20 系列 ZT-L20 Series.....	37
ZT-L20 气控系列 ZT-L20 Pneumatic Control Valve.....	39
ZT-L20 电气控系列 ZT-L20 Electric and Pneumatic Control Valve.....	41

三、SD 系列多路阀 SD Series Directional Control Valve

SD 系列整体阀 SD Series mono block control valves	43
SD4 系列 SD4 Series.....	43
SD5 系列 SD5 Series.....	45
SD5 电磁控系列 SD5 Solenoid Control Valve	47
SD11 系列 SD11 Series	49
SD14 系列 SD14 Series	51
SMD141 滑移式装载机专用阀系列 SDM141 Series	53
SD18 系列 SD18 Series	55

SD 系列分片阀 SD Series sectional control valves	57
SD8 系列 SD8 Series.....	57
SD8 系列液控多路阀 SD8 Hydraulic Pilot Control Valve.....	59
SDS180 系列 SDS180 Series.....	61
SDS180 系列液控多路阀 SDS180 Hydraulic Pilot Control Valve	63
SD25 系列 SD25 Series	65
SD25 系列液控多路阀 SD25 Hydraulic Pilot Control Valve	67
SDS400 系列 SDS400 Series.....	69
SDS400 系列液控多路阀 SDS400 Hydraulic Pilot Control Valve	71

四、DCV 系列多路阀 DCV Series Directional Control Valve

DCV 系列整体阀 DCV Series mono block control valves	73
DCV20 系列 DCV20 Series	73
DCV40 系列 DCV40 Series	75
DCV40 气控系列 DCV40 Pneumatic Control Valve	77
DCV40 电气控系列 DCV40 Electric and Pneumatic Control Valve.....	79
DCV40 电液控系列 DCV40 Electric and Hydraulic Control Valve.....	81
DCV 系列分片阀 SD Series sectional control valves	83
DCV 系列分体式多路阀如何订货及相关说明.....	83
How to order DCV series sectional control valves	83
DCV60 系列 DCV60 Series	95
DCV100 系列 DCV100 Series	102
DCV140 系列 DCV140 Series	108

五、其他多路阀 Other Directional Control Valves

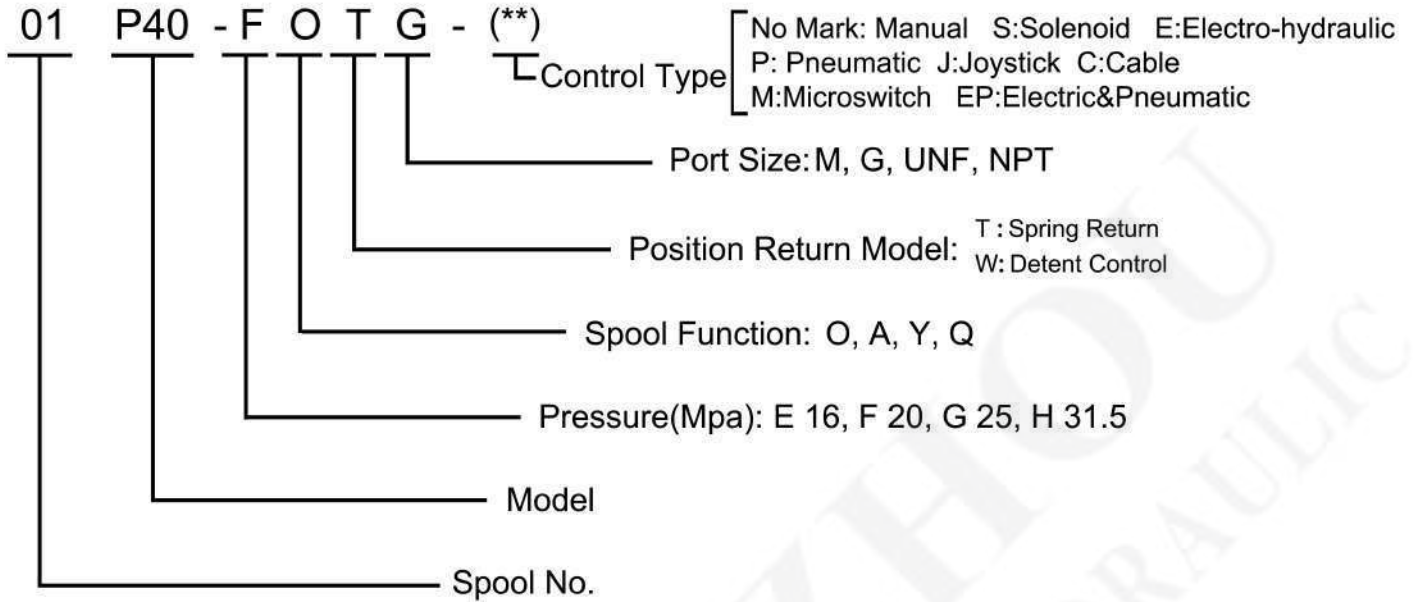
ZS 系列 ZS Series	112
ZS1 系列 ZS1 Series	113
ZS1-L10 系列 ZS-L10 Series.....	114
ZS1-L15 系列 ZS1-L15 Series.....	115
ZS3 系列 ZS3 Series	117
ZS3-L10 系列 ZS-L10 Series.....	118
ZS3-L20 系列 ZS-L20 Series.....	119

MB 系列 MB Series	120
RD5000 系列 RD5000 Series	125
DL 系列 DL Series	128
DL-L15 系列 DL-L15 Series.....	132
SQDL-L15 系列 SQDL-L15 Series	134
YDL-L15 系列 YDL-L15 Series.....	136
DL-L20 系列 DL-L20 Series.....	138
SQDL-L20 系列 SQDL-L20 Series	140
YDL-L20 系列 YDL-L20 Series.....	142
DL-8 系列 DL-8 Series.....	144
DF-50 系列 DF50 Series.....	147
CDB 系列 CDB Series	150
CDB-F15 系列 CDB-F15 Series	153
ZCDB-F15 系列 ZCDB-F15 Series.....	154
CDB-F20 系列 CDB-F20 Series	156
ZCDB-F20 系列 ZCDB-F20 Series.....	157
ZY08 系列 ZY08 Series	158

六、其他液压阀和配件 Other hydraulic control valves and Parts

LKF 系列流量控制阀 LKF Series Flow Control Valve	160
SVV06 电磁切换阀 SVV06 Solenoid Diverter Valve	162
DVS90 电磁切换阀 DVS90 Solenoid Diverter Valve	164
SVV09 电磁切换阀 SVV09 Solenoid Diverter Valve	166
转阀 Rotary Spool Valve	168
LVA 劈木机阀系列 LVA Series Log Splitter Valve.....	171
BZZ 型全液压转向器 BZZ Hydraulic Steering Units	173

Mode Code



Spool Function Symbols



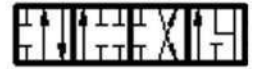
O Spool Function



Y Spool Function



A Spool Function



Q Spool Function

Port Size

Flow	M	G	UNF	NPT
≤60L	M18x1.5	G 3/8"	3/4-16 UNF	NPT 3/8"
60-80L	M22x1.5	G 1/2"	7/8-14 UNF	NPT 1/2"
100-140L	M27x2	G 3/4"	1- 1/16-12 UNF	NPT 3/4"
140-160L	M33x2	G 1"	1- 5/16-12 UNF	NPT 1"
160-240L	M42x2	G 1-1/2"	1- 5/8-12 UNF	NPT 1-1/2"

If you need special dimension port size, please consult to our Engineer.

SD4 系列整体阀

SD4 Series Monoblock Directional Control Valve

用途与特征/APPLICATIONS&FEATURES

SD4系列整体阀引进了欧洲先进技术，具有结构紧凑、流量45l/min、重量轻、耐高压。该阀采用并联油路，设计有压力输出口与其他液压元件相连接提供动力源。该阀广泛应用于工程机械、环卫机械、油田设备、矿山机械和其他机械的液压系统。

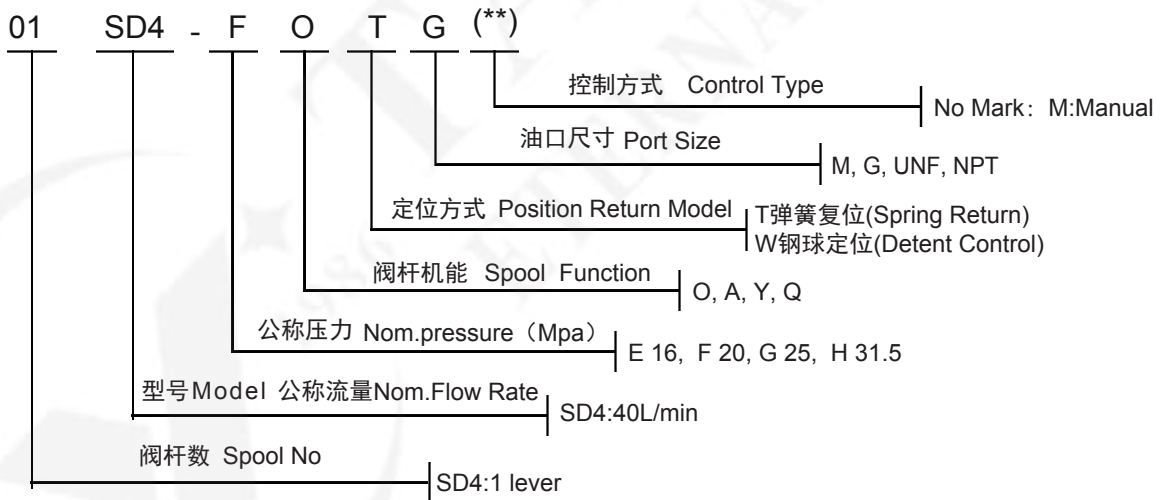


产品特点/FEATURES

Simple, compact designed, this valve is only one section for open center and closed center hydraulic systems.

- ◆ Fitted with a main pressure relief valve.
- ◆ Diameter 16 mm - 0.63 in interchangeable spools.
- ◆ Available manual and remote with flexible cables spool control kits.

型号说明/MODEL CODE



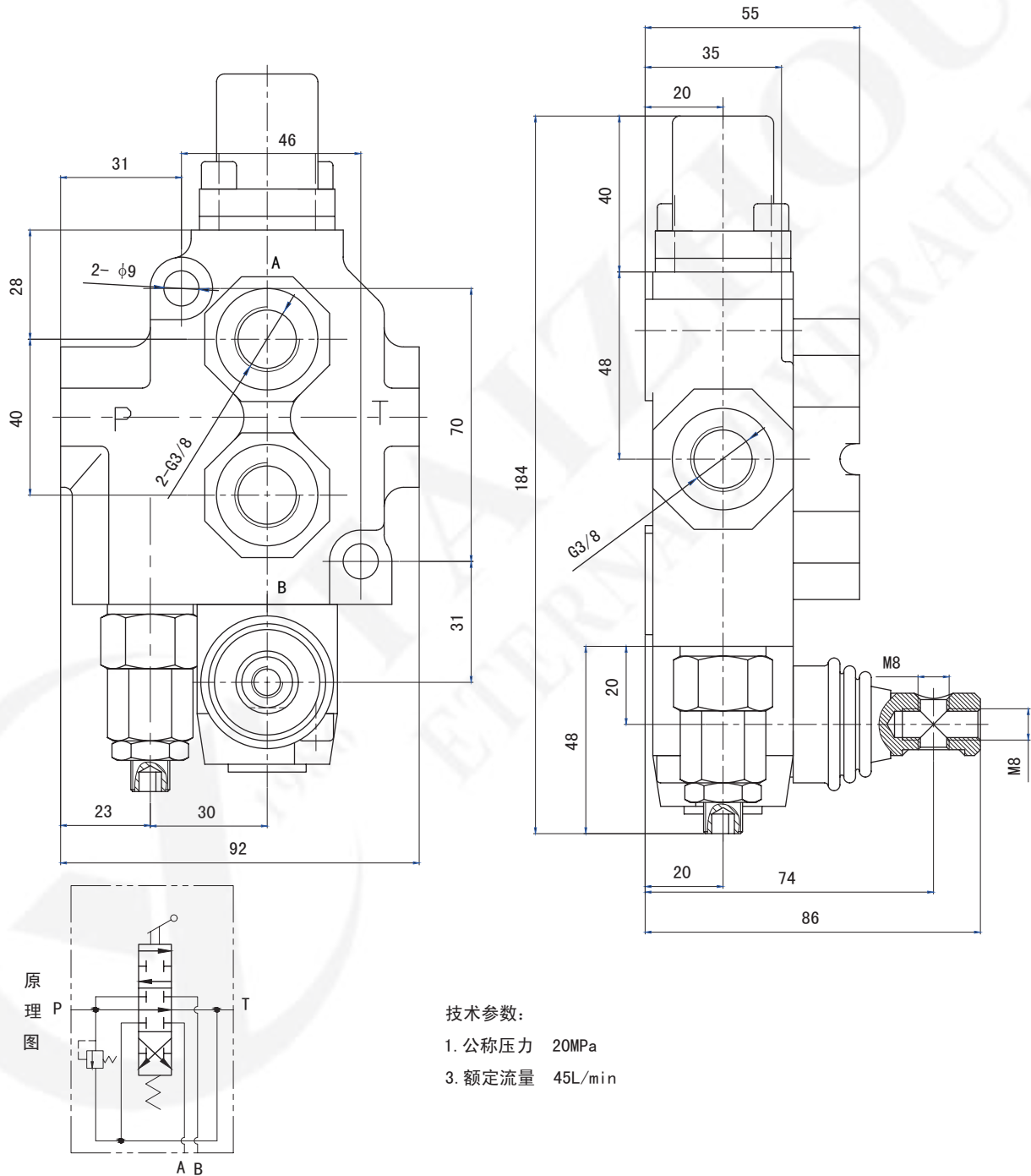
技术参数/PARAMETERS

公称压力 (MPa) Nom. Pressure	最大压力 (MPa) Max. Pressure	公称流量 (L/min) Nom. Flow rate	最大流量 (L/min) Max. Flow rate	中位背压 (MPa) Back Pressure	工作油液hydraulic oil		
					温度范围 (℃) Tem.rang	粘度范围 (mm ² /S) Visc.rang	过滤精度 (μm) filtrating accuracy
16	31.5	45	45	≤1	-20 ~ +80	10 ~ 400	≤10

SD4 系列整体阀

SD4 Series Monoblock Directional Control Valve

SD4外形安装连接尺寸/MODEL SD4 DIMENSIONAL DATA



注: 订货有特殊要求者, 请与销售顾问联系。

Note: Special features not listed can often be made to your specifications. Please consult your sales representative.

SD5 系列整体阀

SD5 Series Monoblock Directional Control Valve

用途与特征/APPLICATIONS&FEATURES

SD5系列整体阀引进了欧洲先进技术，具有结构紧凑、流量45l/min、重量轻、耐高压。该阀采用并联油路，设计有压力输出口与其他液压元件相连接提供动力源。该阀广泛应用于工程机械、环卫机械、油田设备、矿山机械和其他机械的液压系统。

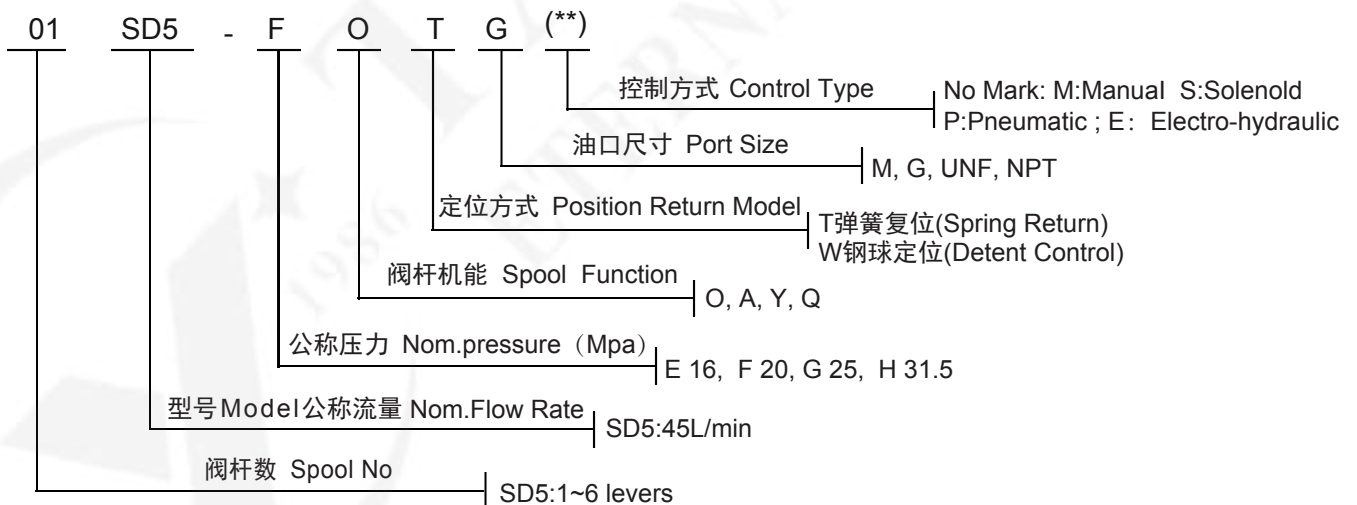


产品特点/FEATURES

Simple, compact and heavy duty designed monoblock valves from 1 to 6 sections for open and closed center hydraulic systems.

- ◆ Fitted with a main pressure relief valve and a load check valve.
- ◆ Available with parallel, series or tandem circuit.
- ◆ Optional power beyond port (only for parallel or tandem circuit).
- ◆ Diameter 16 mm - 0.63 in interchangeable spools.
- ◆ A wide variety of service port valve options.
- ◆ Actuation is manual, pneumatic, electro-pneumatic, hydraulic, electro-hydraulic, with solenoid and remote with flexible cables spool control kits.

型号说明/MODEL CODE



技术参数/PARAMETERS

公称压力 (MPa) Nom. Pressure	最大压力 (MPa) Max. Pressure	公称流量 (L/min) Nom. Flow rate	最大流量 (L/min) Max. Flow rate	中位背压 (MPa) Back Pressure	工作油液hydraulic oil		
					温度范围 (℃) Tem.rang	粘度范围 (mm ² /S) Visc.rang	过滤精度 (μm) filtrating accuracy
20	31.5	45	45	≤1	-20 ~ +80	10 ~ 400	≤10

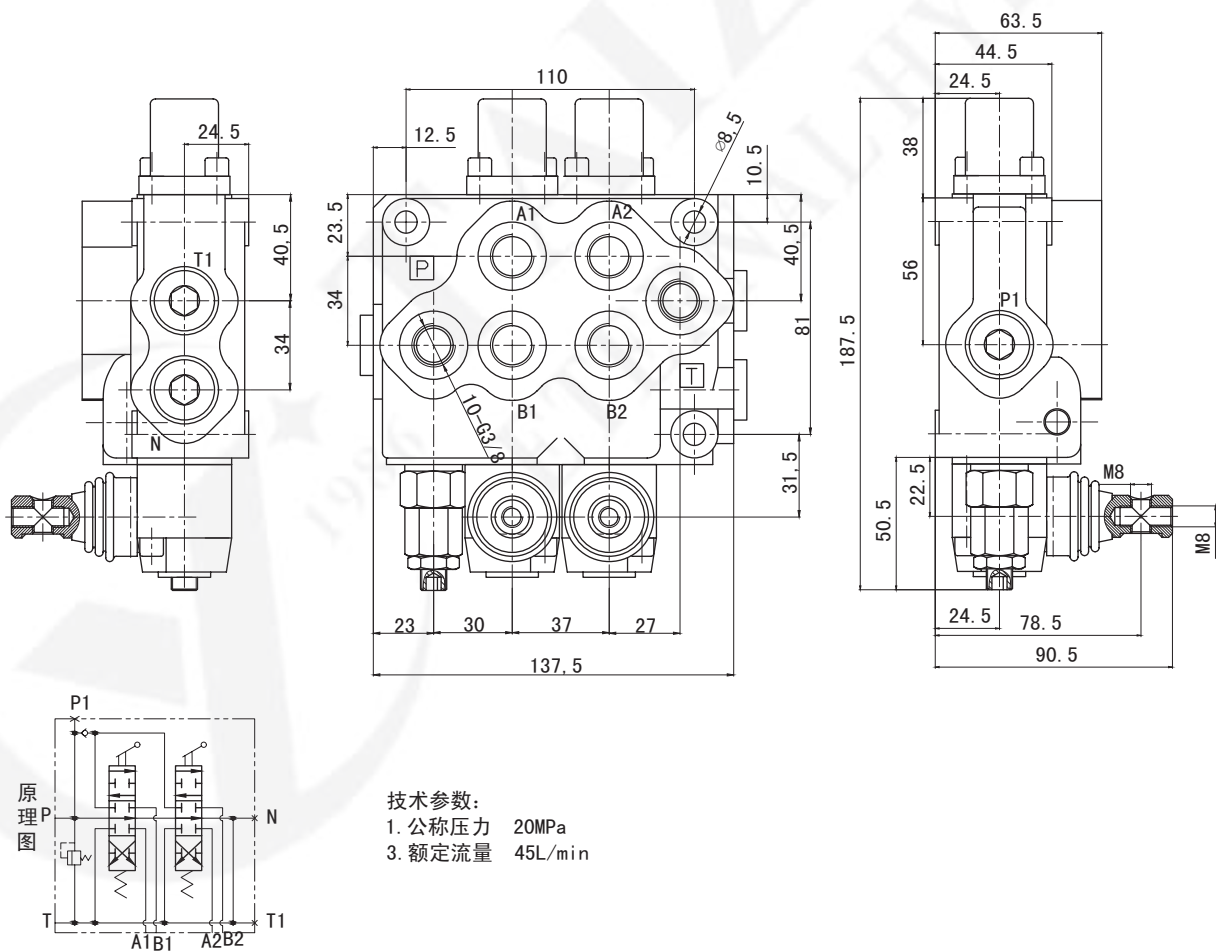
SD5 系列整体阀

SD5 Series Monoblock Directional Control Valve

油口尺寸/PORT SIZE

油口 MAIN PORTS	英制 BSP	美制 UN-UNF	公制 METRIC
进油口 Inlet P	G3/8	3/4-16 (SAE 8)	M18 × 1.5
工作油口 Ports A and B	G3/8	9/16-18 (SAE 6)	M18 × 1.5
出油口 Outlet T	G3/8	3/4-16 (SAE 8)	M18 × 1.5, M22 × 1.5
高压输出口 carry-over C	M20 × 1.5	M20 × 1.5	M20 × 1.5

SD5外形安装连接尺寸/MODEL SD5 DIMENSIONAL DATA



注: 订货有特殊要求者, 请与销售顾问联系。

Note: Special features not listed can often be made to your specifications. Please consult your sales representative.

SD5 系列电磁控整体阀

SD5 Solenoid Control Valve

用途与特征/APPLICATIONS&FEATURES

SD5系列整体阀引进了欧洲先进技术，具有结构紧凑、流量45l/min、重量轻、耐高压。该阀采用并联油路，设计有压力出口与其他液压元件相连接提供动力源。该阀广泛应用于工程机械、环卫机械、油田设备、矿山机械和其他机械的液压系统。

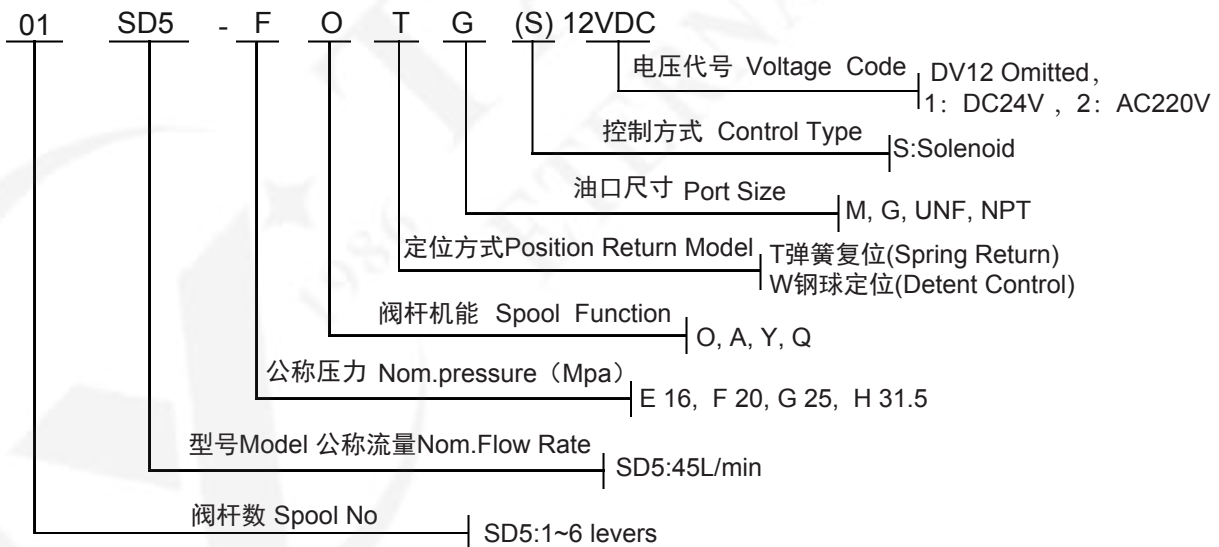


产品特点/FEATURES

Simple, compact and heavy duty designed monoblock valves from 1 to 6 sections for open and closed center hydraulic systems.

- ◆ Fitted with a main pressure relief valve and a load check valve.
- ◆ Available with parallel, series or tandem circuit.
- ◆ Optional power beyond port (only for parallel or tandem circuit).
- ◆ Diameter 16 mm - 0.63 in interchangeable spools.
- ◆ A wide variety of service port valve options.
- ◆ Actuation is manual, pneumatic, electro-pneumatic, hydraulic, electro-hydraulic, with solenoid and remote with flexible cables spool control kits.

型号说明/MODEL CODE



技术参数/PARAMETERS

公称压力 (MPa) Nom. Pressure	最大压力 (MPa) Max. Pressure	公称流量 (L/min) Nom. Flow rate	最大流量 (L/min) Max. Flow rate	中位背压 (MPa) Back Pressure	工作油液 hydraulic oil		
					温度范围 (℃) Tem.rang	粘度范围 (mm ² /S) Visc.rang	过滤精度 (μm) filtrating accuracy
20	31.5	45	45	≤1	-20 ~ +80	10 ~ 400	≤10

SD5 系列电磁控整体阀

SD5 Solenoid Control Valve

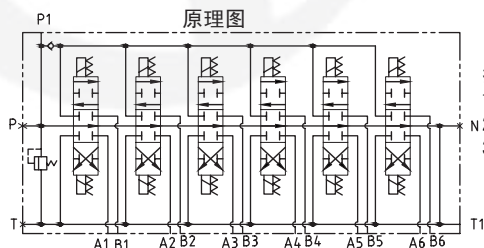
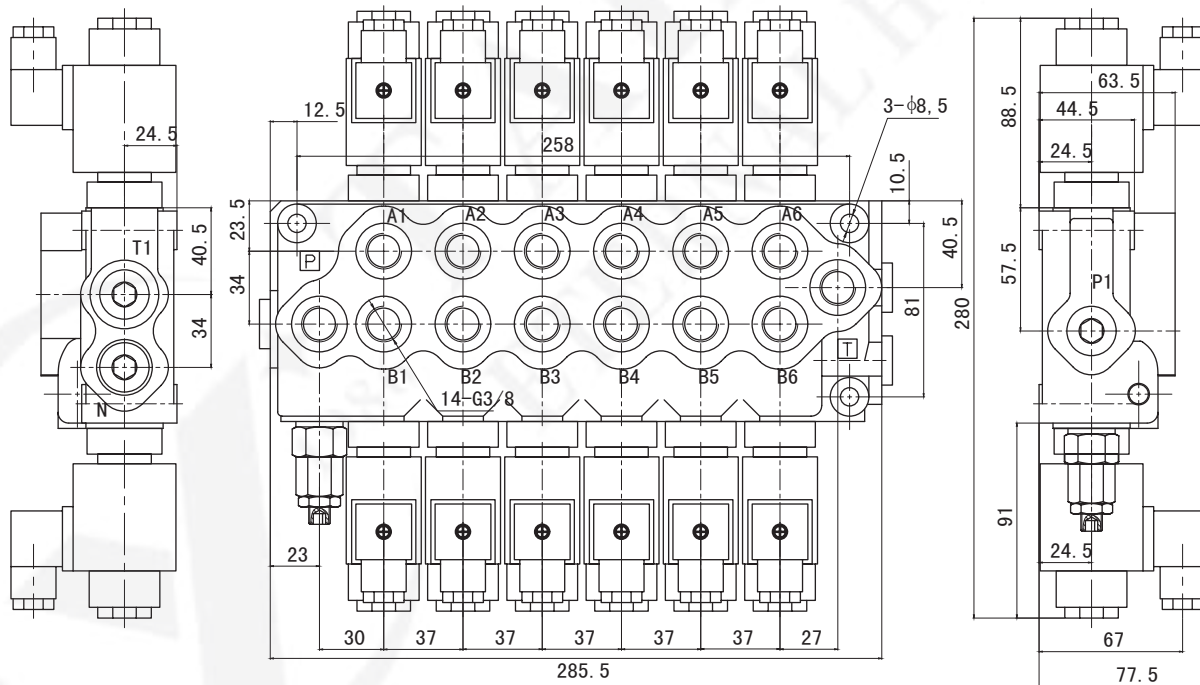
油口尺寸/PORT SIZE

油口 MAIN PORTS	英制 BSP	美制 UN-UNF	公制 METRIC
进油口 Inlet P	G3/8	3/4-16 (SAE 8)	M18 × 1.5
工作油口 Ports A and B	G3/8	9/16-18 (SAE 6)	M18 × 1.5
出油口 Outlet T	G3/8	3/4-16 (SAE 8)	M18 × 1.5, M22 × 1.5
高压输出口 carry-over C	M20 × 1.5	M20 × 1.5	M20 × 1.5

注：订货有特殊要求者，请与销售顾问联系。

Note: Special features not listed can often be made to your specifications. Please consult your sales representative.

SD5外形安装连接尺寸/MODEL SD5 DIMENSIONAL DATA



- 技术参数:
1. 公称压力 20MPa
 2. 最大流量 45L/min
 3. 额定电压 DC12V

SD11 系列整体阀

SD11 Series Monoblock Directional Control Valve

用途与特征/APPLICATIONS&FEATURES

SD11系列整体阀引进了欧洲先进技术，具有结构紧凑、流量70L/min、重量轻、耐高压。该阀采用并联油路，设计有压力出口与其他液压元件相连接提供动力源。该阀广泛应用于工程机械、环卫机械、油田设备、矿山机械和其他机械的液压系统。

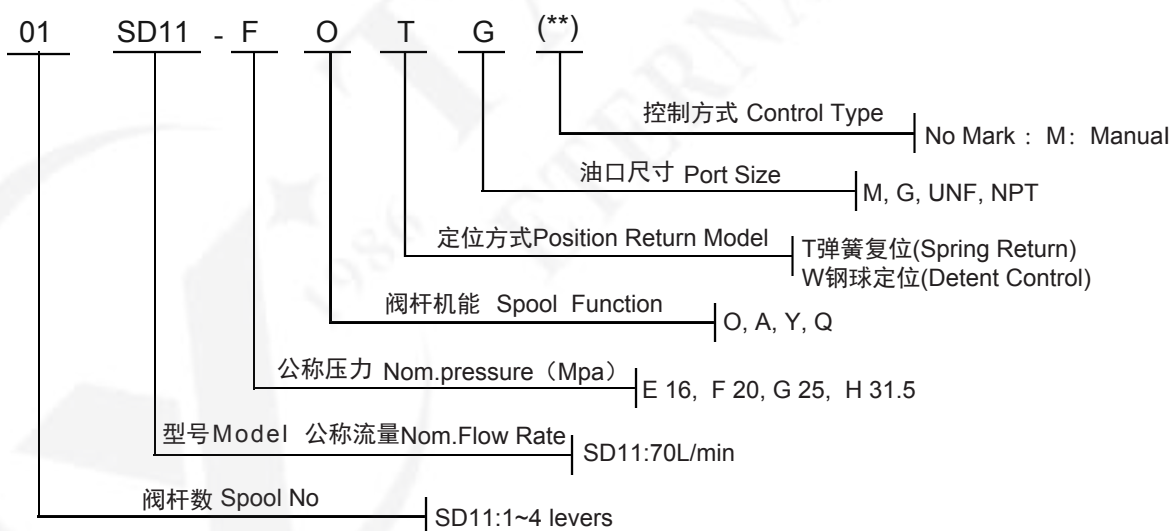


产品特点/FEATURES

Simple, compact and heavy duty designed monoblock valves from 1 to 6 sections for open and closed center hydraulic systems.

- ◆ Fitted with a main pressure relief valve and a load check valve.
- ◆ Available with parallel or series circuit.
- ◆ Optional power beyond port (only for parallel circuit).
- ◆ Diameter 20 mm - 0.79 in interchangeable spools.
- ◆ A wide variety of service ports and circuit valves.
- ◆ Available manual, pneumatic, hydraulic, electro-hydraulic and remote with flexible cables spool control kits.

型号说明/MODEL CODE



技术参数/PARAMETERS

公称压力 (MPa) Nom. Pressure	最大压力 (MPa) Max. Pressure	公称流量 (L/min) Nom. Flow rate	最大流量 (L/min) Max. Flow rate	中位背压 (MPa) Back Pressure	工作油液hydraulic oil		
					温度范围 (℃) Tem.rang	粘度范围 (mm ² /S) Visc.rang	过滤精度 (μm) filtrating accuracy
20	31.5	70	70	≤1	-20 ~ +80	10 ~ 400	≤10

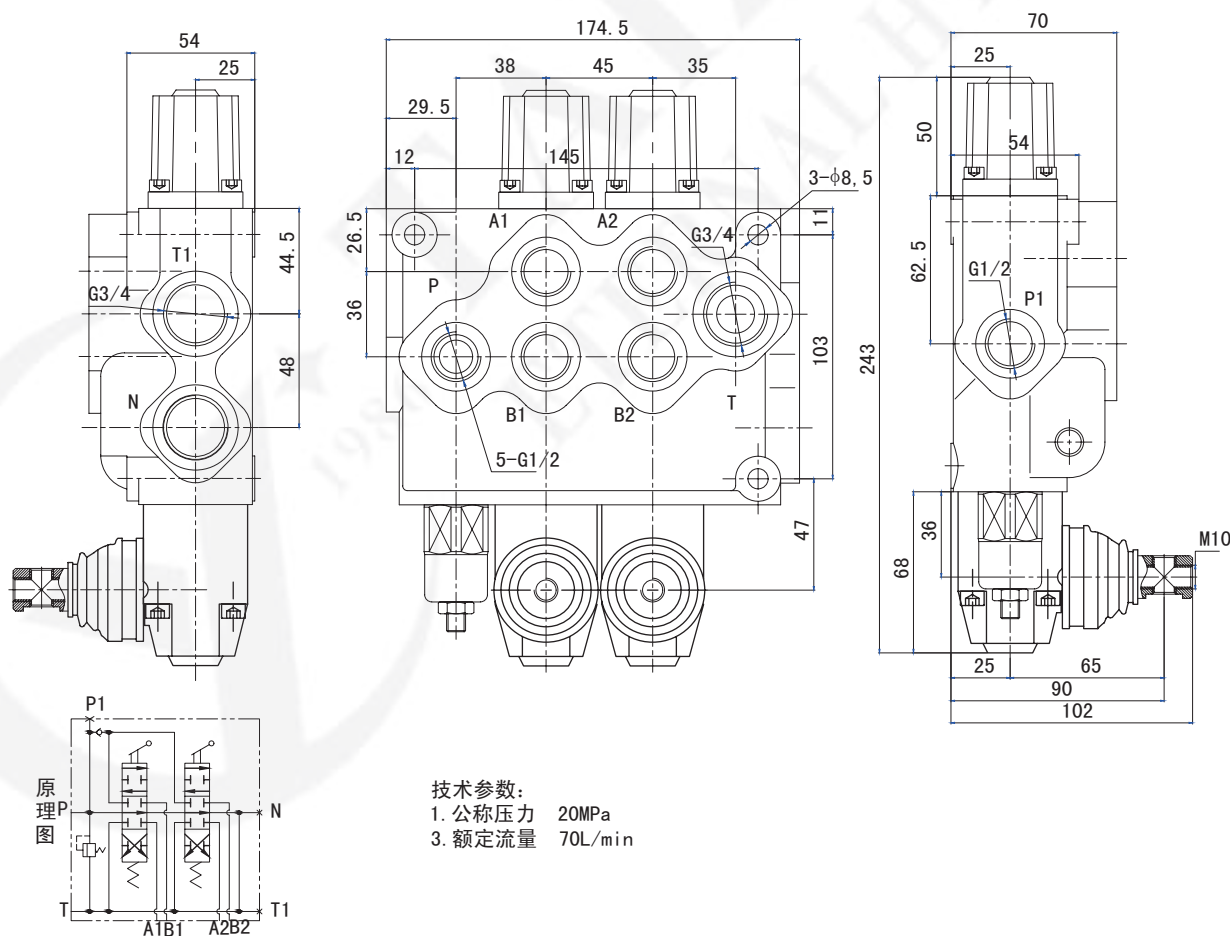
SD11 系列整体阀

SD11 Series Monoblock Directional Control Valve

油口尺寸/PORT SIZE

油口 MAIN PORTS	英制 BSP	美制 UN-UNF	公制 METRIC
进油口 Inlet P	G1/2	7/8-14 (SAE 10)	M22 × 1.5
工作油口 Ports A and B	G1/2	3/4-16 (SAE 8)	M22 × 1.5
出油口 Outlet T	G3/4	7/8-14 (SAE 10)	M27 × 2
高压输出口 carry-over C	M27 × 2	M27 × 2	M27 × 2

SD11外形安装连接尺寸/MODEL SD11 DIMENSIONAL DATA



注: 订货有特殊要求者, 请与销售顾问联系。

Note: Special features not listed can often be made to your specifications. Please consult your sales representative.

SD14 系列整体阀

SD14 Series Monoblock Directional Control Valve

产品描述/SPECIFICATION

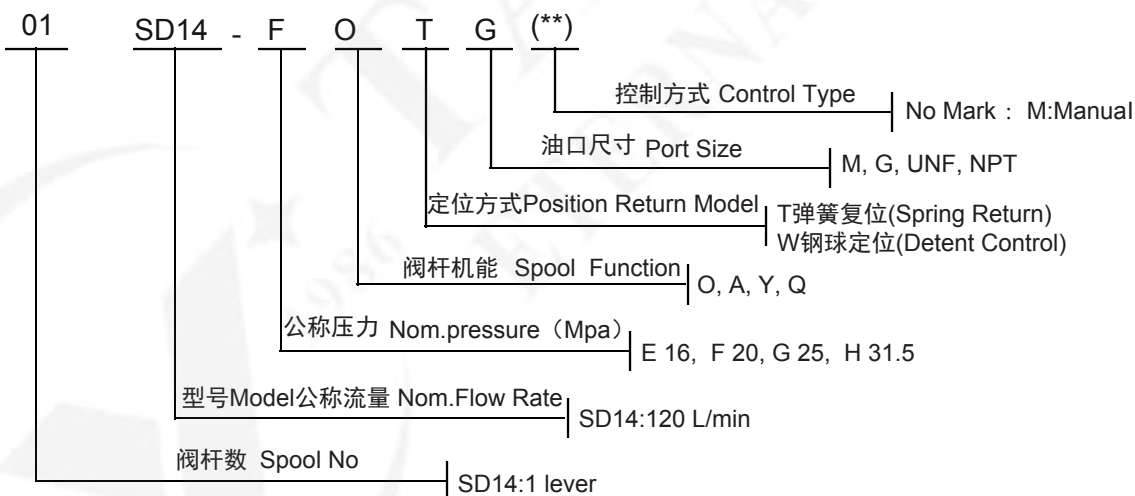
SD14系列整体阀引进了欧洲先进技术，具有结构紧凑、流量高达120l/min、重量轻。该阀采用并联油路，设计有压力输出口与其他液压元件相连接提供动力源。该阀广泛应用于工程机械、环卫机械、矿山机械和其他机械的液压系统。



产品特点/FEATURES

- ◆ Simple, compact designed, this valves is only one section for open centre and closed centre hydraulic systems.
- ◆ Fitted with a main pressure relief valve.
- ◆ Diameter 20 mm -- 0.79 in interchangeable spools.
- ◆ Available manual, pneumatic, electro--hydraulic and remote with flexible cable spool control kits.

型号说明/MODEL CODE



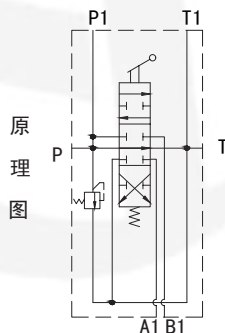
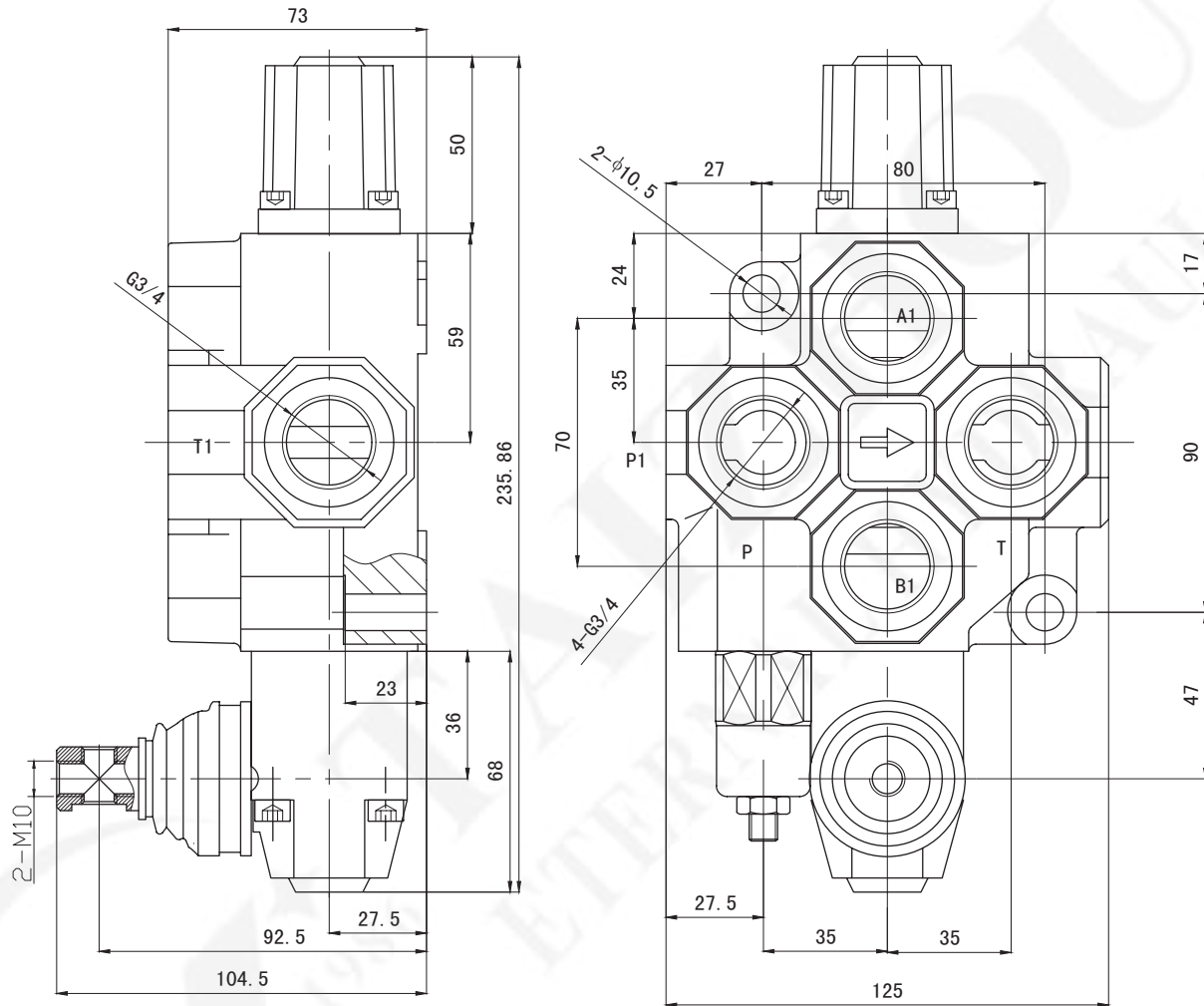
技术参数/PARAMETERS

公称压力 (MPa) Nom. Pressure	最大压力 (MPa) Max. Pressure	公称流量 (L/min) Nom. Flow rate	最大流量 (L/min) Max. Flow rate	中位背压 (MPa) Back Pressure	工作油液hydraulic oil		
					温度范围 (℃) Tem.rang	粘度范围 (mm ² /S) Visc.rang	过滤精度 (μm) filtrating accuracy
20	25	120	120	≤1	-20 ~ +80	10 ~ 400	≤10

SD14 系列整体阀

SD14 Series Monoblock Directional Control Valve

SD14外形安装连接尺寸/MODEL SD14 DIMENSIONAL DATA



主要技术参数:

1. 额定流量120L/min,
2. 公称压力20MPa.

注: 订货有特殊要求者, 请与销售顾问联系。

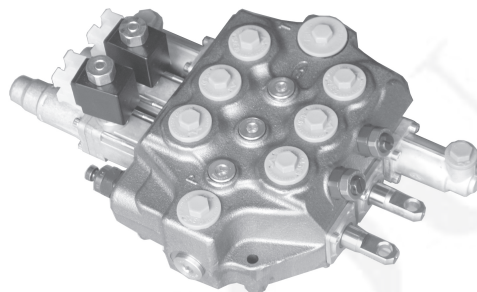
Note: Special features not listed can often be made to your specifications. Please consult your sales representative.

SDM141 滑移式装载机专用阀

SDM141 Series Monoblock Directional Control Valve

产品描述/SPECIFICATION

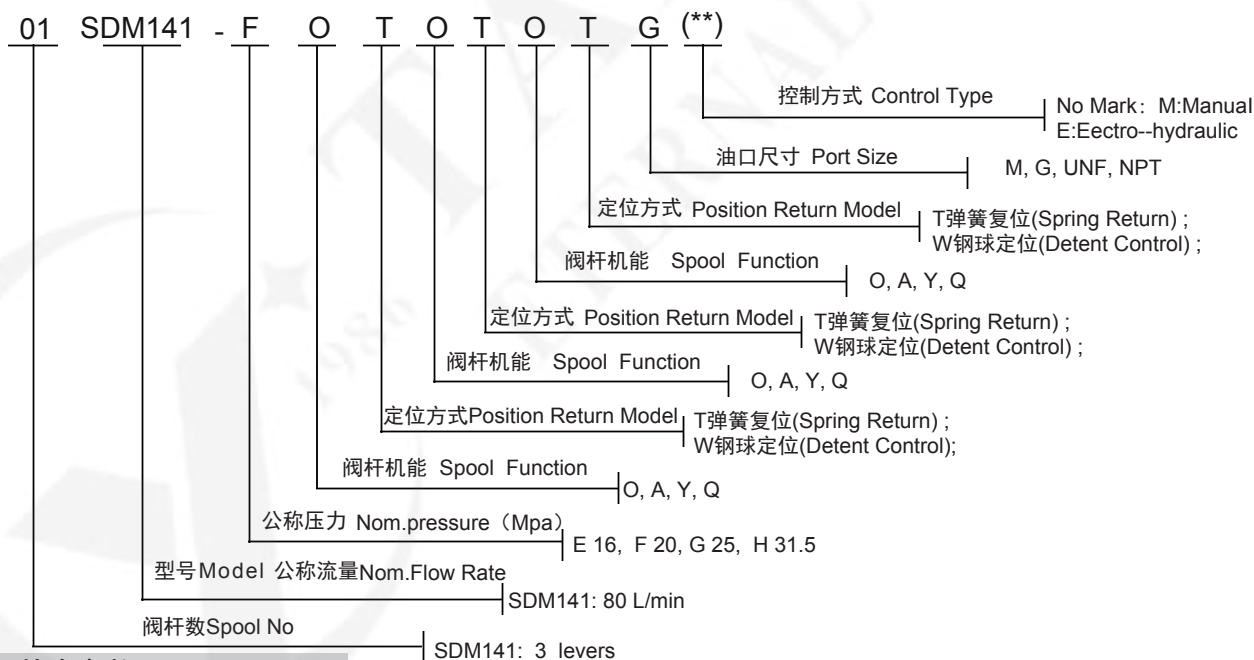
SDM141系列整体阀引进了欧洲先进技术，采用了串联油路，每一片都配有一个单向阀，同时设计了压力输出口与其他液压元件相连接提供动力源。经过特殊设计的密封方式，使阀的密封性能卓越，可以代替进口阀，专门用于滑移式装载机。



产品特点/FEATURES

- ◆ Simple, compact and heavy duty designed 3 sections monoblock valves for open centre hydraulic systems.
- ◆ Fitted with a main pressure relief valve.
- ◆ Each spool has independent load check valve.
- ◆ 可配多种控制方式
- ◆ 可配多种规格油口
- ◆ A wide variety of service port valves.
- ◆ Available manual, electro-hydraulic and remote with flexible cables spool control kits.
- ◆ Diameter 18 mm -- 0.71 in interchangeable spools.

型号说明/MODEL CODE



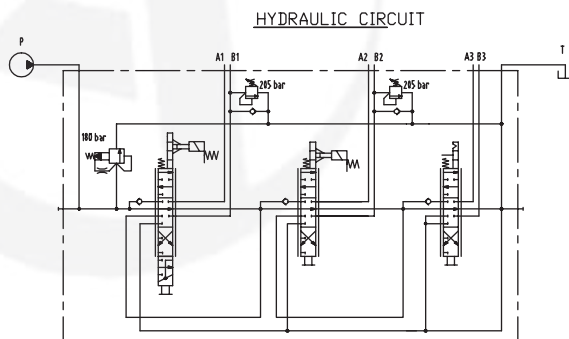
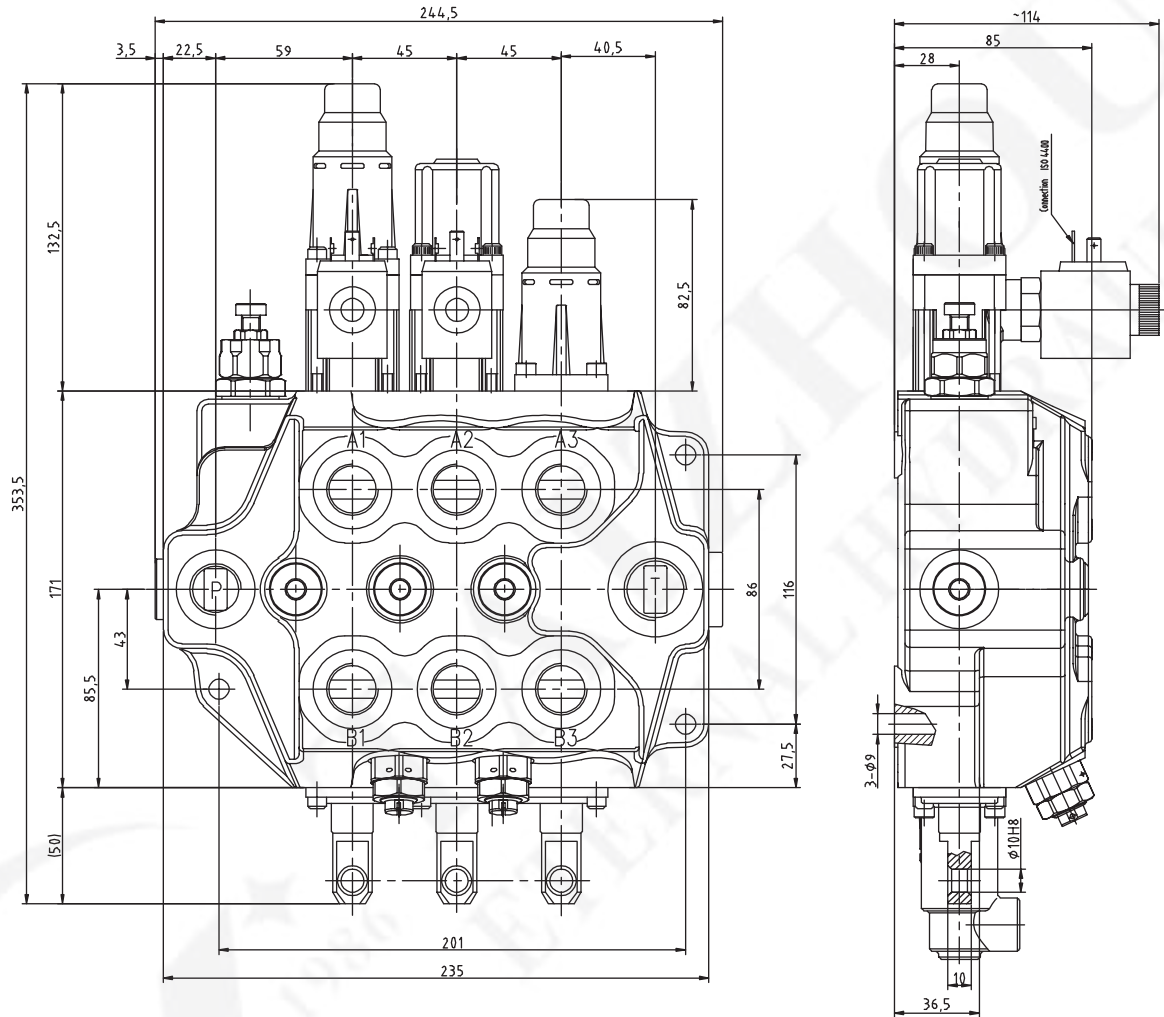
技术参数/PARAMETERS

公称压力 (MPa) Nom. Pressure	最大压力 (MPa) Max. Pressure	公称流量 (L/min) Nom. Flow rate	最大流量 (L/min) Max. Flow rate	中位背压 (MPa) Back Pressure	工作油液hydraulic oil		
					温度范围 (°C) Tem.rang	粘度范围 (mm ² /S) Visc.rang	过滤精度 (μm) filtrating accuracy
20	25	80	90	≤1	-20 ~ +80	10 ~ 400	≤10

SDM141 滑移式装载机专用阀

SDM141 Series Monoblock Directional Control Valve

SDM141外形安装连接尺寸/MODEL SDM141 DIMENSIONAL DATA



注：订货有特殊要求者，请与销售顾问联系。

Note: Special features not listed can often be made to your specifications. Please consult your sales representative.

SD18系列整体阀

SD18 Series Monoblock Directional Control Valve

用途与特征/APPLICATIONS&FEATURES

SD18系列整体阀引进了欧洲先进技术，具有结构紧凑、流量120L/min、重量轻、耐高压。该阀采用并联油路，设计有压力输出口与其他液压元件相连接提供动力源。该阀广泛应用于工程机械、环卫机械、油田设备、矿山机械和其他机械的液压系统。

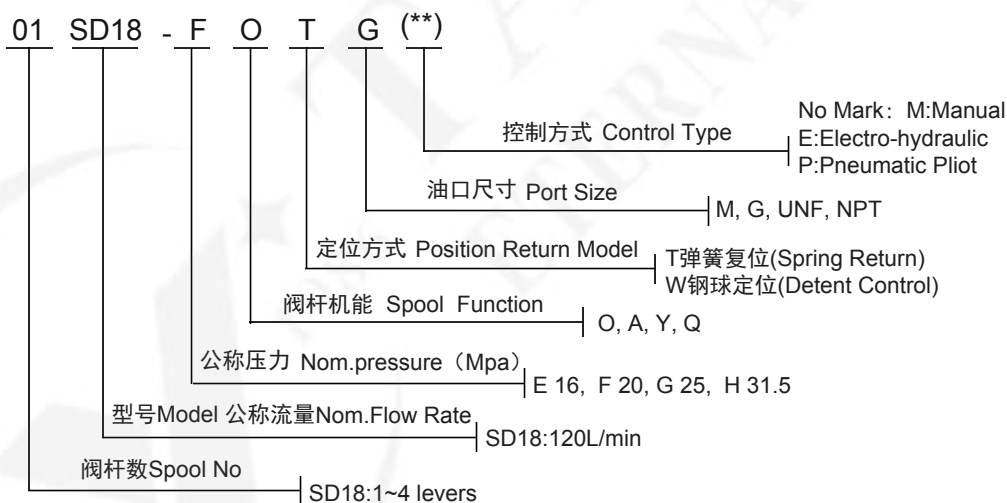


产品特点/FEATURES

Simple, compact and heavy duty designed monoblock from 1 to 4 sections for open and closed center hydraulic systems.

- ◆ Fitted with a direct or pilot operated main pressure relief valve.
- ◆ Parallel circuit.
- ◆ Optional carry-over port.
- ◆ Diameter 25 mm - 0.98 in interchangeable spools.
- ◆ A wide variety of service port valves.
- ◆ Available manual, pneumatic, electro-pneumatic, hydraulic and electro-hydraulic spool control kits.

型号说明/MODEL CODE



技术参数/PARAMETERS

公称压力 (MPa) Nom. Pressure	最大压力 (MPa) Max. Pressure	公称流量 (L/min) Nom. Flow rate	最大流量 (L/min) Max. Flow rate	中位背压 (MPa) Back Pressure	工作油液hydraulic oil		
					温度范围 (℃) Tem.rang	粘度范围 (mm ² /S) Visc.rang	过滤精度 (μm) filtrating accuracy
20	31.5	120	160	≤1	-20 ~ +80	10 ~ 400	≤10

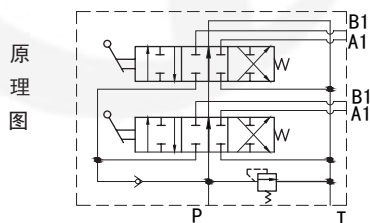
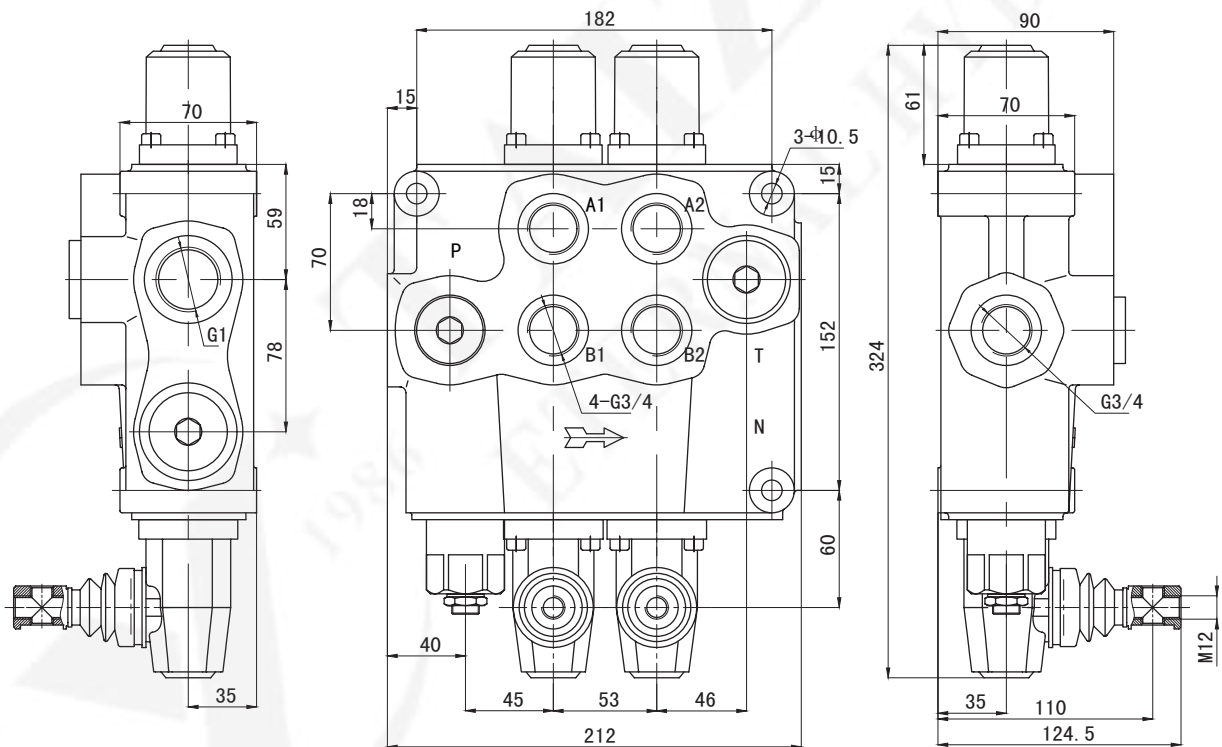
SD18系列整体阀

SD18 Series Monoblock Directional Control Valve

油口尺寸/PORT SIZE

油口 MAIN PORTS	英制 BSP	美制 UN-UNF
进油口 Inlet P	G3/4, G1	1 5/16-12 UN-2B (SAE 16)
工作油口 Ports A and B	G3/4, G1	1 1/16-12 UN-2B (SAE 12)
出油口 Outlet T	G1	1 5/16-12 UN-2B (SAE 16)
高压输出口 carry-over C	M36 × 1.5	M36 × 1.5

SD18外形安装连接尺寸/MODEL SD18 DIMENSIONAL DATA



主要技术参数:

1. 最大流量160L/min,
 2. 公称压力20MPa.
- 最高压力31MPa

注: 订货有特殊要求者, 请与销售顾问联系。

Note: Special features not listed can often be made to your specifications. Please consult your sales representative.

SD8 系列分片式多路阀

SD8 Series Sectional Directional Control Valves

产品描述/SPECIFICATION

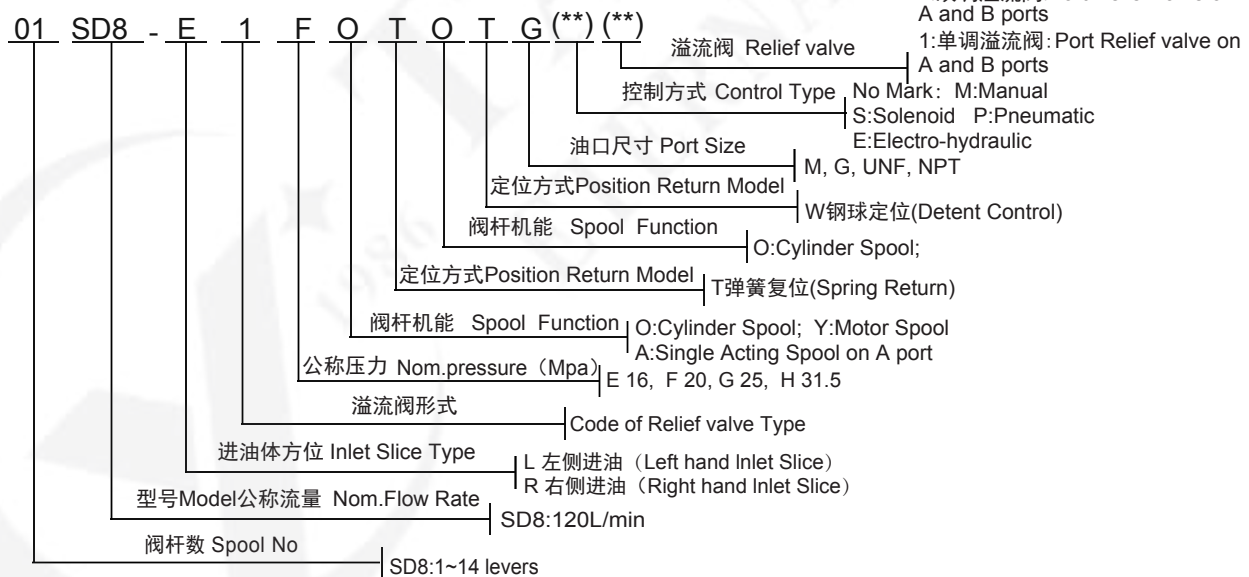
SD8系列分片式多路阀引进了欧洲先进技术，具有机构紧凑、耐高压，使用寿命长，能做1-14连，同时有中位开启和中位闭合两种液压系统。SD8每一片阀体都可以根据客户要求增加溢流阀，补油阀等。控制方式有手动、气动、电液控和软轴遥控等多种不同的控制方式，以满足客户不同的操控需求。该阀广泛应用于工程机械、环卫机械、矿山机械和其他机械的液压系统。



产品特点/FEATURES

- ◆ Simple, compact and heavy duty designed sectional valve from 1-14 sections for open and closed centre hydraulic systems.
- ◆ Flow rate: 90l/min, with max pressure 315bar.
- ◆ Joining port: L (screw connection)
- ◆ Spool function options: O,P, Y, A and etc.
- ◆ Nominal diameter: G1/2; G3/4, 7/8-14UNF ,SAE10, 3/4-16UNF, SAE8, M18X1.5
- ◆ Spring side control options: spring control and detent control
- ◆ Lever side control options: manual, pneumatic control, electric and pneumatic control, hydraulic and electric control, hydraulic control and remote control.

型号说明/MODEL CODE



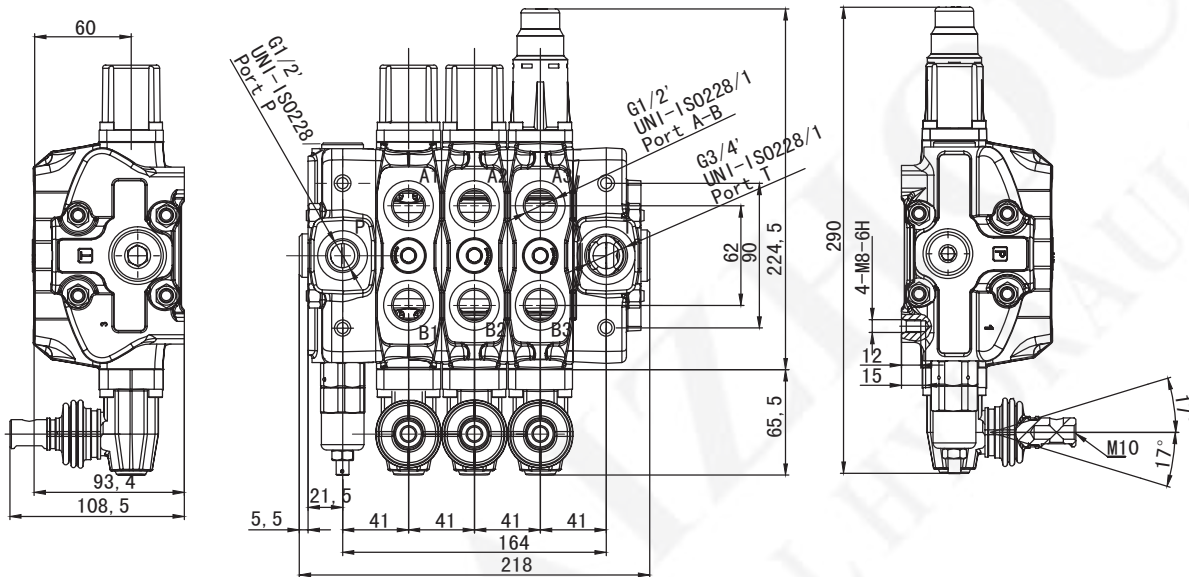
技术参数/PARAMETERS

公称压力 (MPa) Nom. Pressure	最大压力 (MPa) Max. Pressure	公称流量 (L/min) Nom. Flow rate	中位背压 (MPa) Back Pressure	工作油液 hydraulic oil		
				温度范围 (℃) Tem.rang	粘度范围 (mm ² /S) Visc.rang	过滤精度 (μm) filtrating accuracy
16	31.5	80	≤1	-20 ~ +80	10 ~ 400	≤10

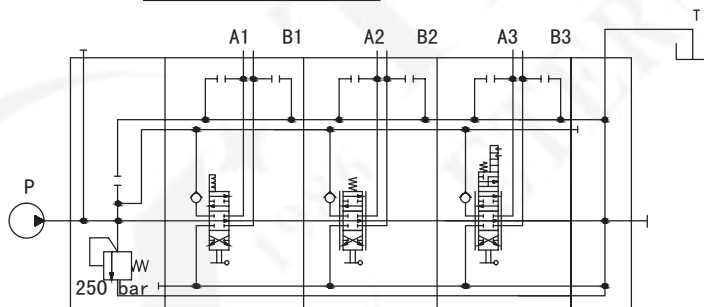
SD8 系列分片式多路阀

SD8 Series Sectional Directional Control Valves

SD8 外形安装连接尺寸/MODEL SD8 DIMENSIONAL DATA



HYDRAULIC CIRCUIT



注：订货有特殊要求者，请与销售顾问联系。

Note: Special features not listed can often be made to your specifications. Please consult your sales representative.

SD8 系列液控多路阀

SD8 Hydraulic Pilot Control Valve

产品描述/SPECIFICATION

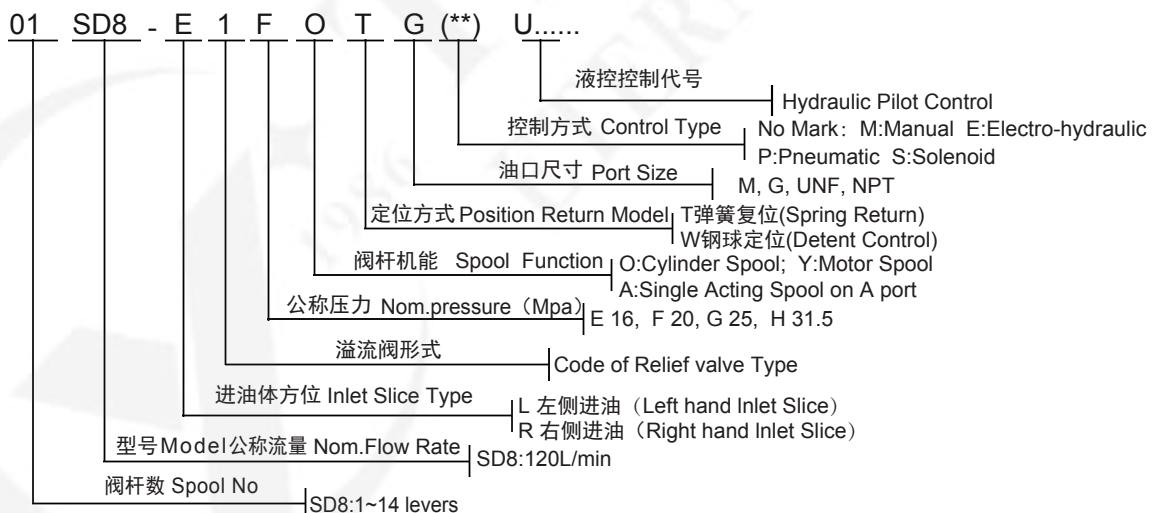
SD8系列分片式多路阀引进了欧洲先进技术，具体有机构紧凑、耐高压，使用寿命长。SD8每一片阀体都可以根据客户要求增加溢流阀，补油阀等。控制方式有手动、气动、电液控和软轴遥控等多种不同的控制方式，以满足客户不同的操控需求。该阀广泛应用于工程机械、环卫机械、矿山机械和其他机械的液压系统。



产品特点/FEATURES

- ◆ Simple, compact and heavy duty designed sectional valve from 1 to 14 sections for open and closed center hydraulic systems.
- ◆ Fitted with a main pressure relief valve and a load check valve on every working section
- ◆ Flow rate:90LPM, with max pressure 315bar.
- ◆ Spool function options: P,T,Y,A and ect.
- ◆ Optional carry-over port.
- ◆ A wide range of anti shock+anticavitation port valves.
- ◆ Intermediate sections for several types of circuit.
- ◆ Available manual, pneumatic, electrohydraulic, proportional hydraulic, spool control kits.
- ◆ Diameter 18 mm (0.71 in) interchangeable spools.

型号说明/MODEL CODE



技术参数/PARAMETERS

公称压力 (MPa) Nom. Pressure	最大压力 (MPa) Max. Pressure	公称流量 (L/min) Nom. Flow rate	中位背压 (MPa) Back Pressure	工作油液 hydraulic oil		
				温度范围 (℃) Tem.rang	粘度范围 (mm ² /S) Visc.rang	过滤精度 (μm) filtrating accuracy
16	31.5	80	≤1	-20 ~ +80	10 ~ 400	≤10

SD8 系列液控多路阀

SD8 Hydraulic Pilot Control Valve

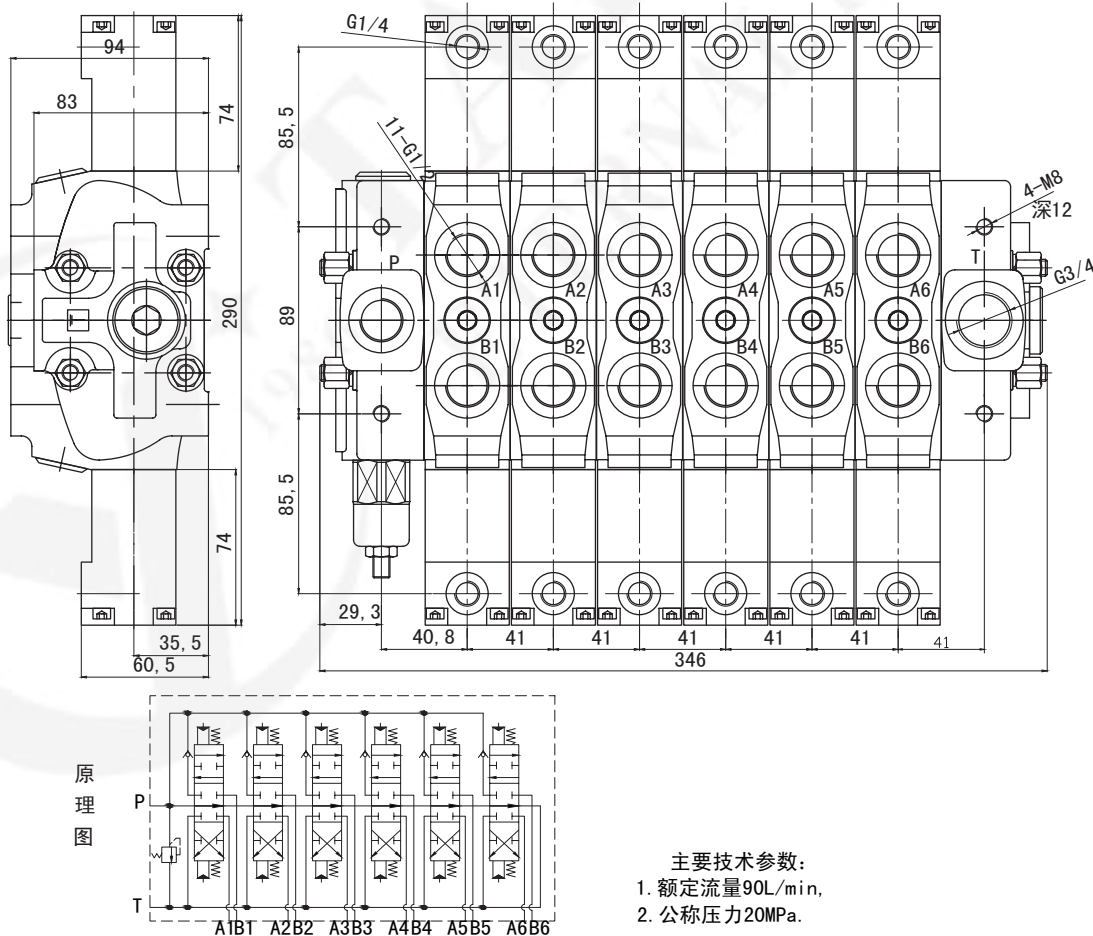
技术参数/PARAMETERS

油口 MAIN PORTS	英制 BSP	美制 UN-UNF
进油口 Inlet P	G1/2	7/8-14UNF (SAE 10)
工作油口 Ports A and B	G1/2	3/4-16UNF(SAE8)
出油口 Outlet T	G3/4	7/8-14UNF (SAE 10)
高压输出口 carry-over C	G3/4	7/8-14UNF (SAE 10)
液控油口 Hydraulic pilot port	G1/4	9/16-18(SAE6)

注：订货有特殊要求者，请与销售顾问联系。

Note: Special features not listed can often be made to your specifications. Please consult your sales representative.

SD8外形安装连接尺寸/MODELR DV SD8 DIMENSIONAL DATA



SDS180 系列分片式多路阀

SDS180 Series Sectional Directional Control Valves

产品描述/SPECIFICATION

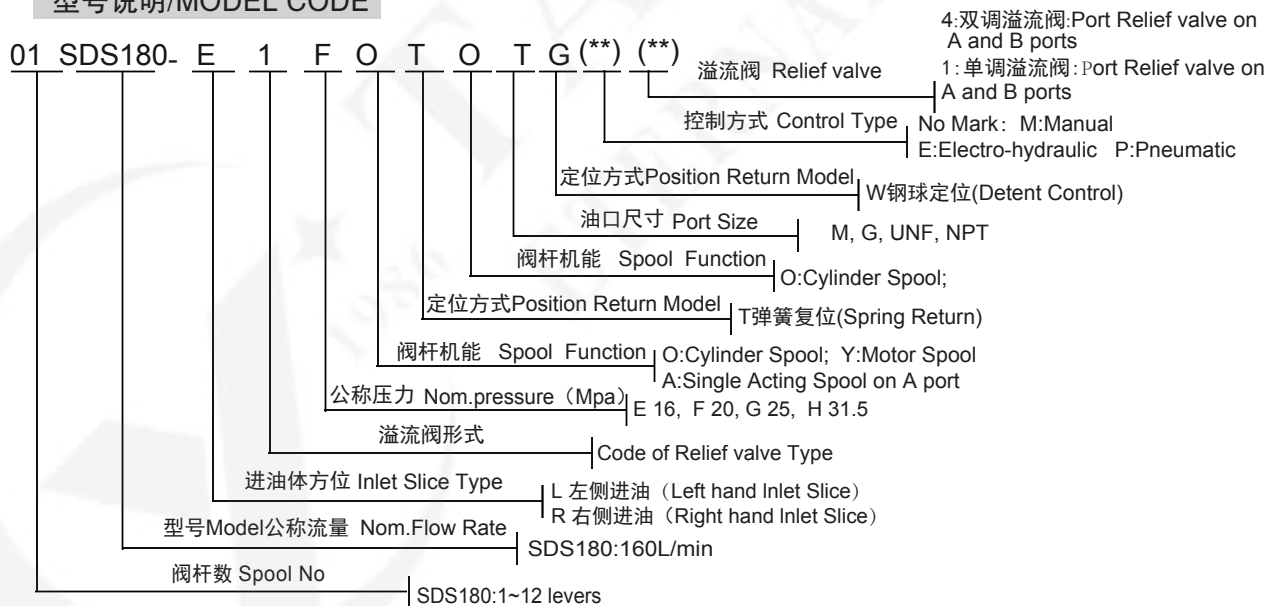
SDS180系列分片式多路阀引进了欧洲先进技术，具有机构紧凑、耐高压，使用寿命长。SDS180每一片阀体都可以根据客户要求增加溢流阀，补油阀等。控制方式有手动、气动、电液控和软轴遥控等多种不同的控制方式，以满足客户不同的操控需求。该阀广泛应用于工程机械、环卫机械、矿山机械和其他机械的液压系统。



产品特点/FEATURES

- ◆ Simple, compact and heavy duty designed sectional valve from 1 to 12 sections for open and closed centre hydraulic systems.
- ◆ Fitted with a main pressure relief valve and a load check valve on every working section
- ◆ Available with parallel, tandem or series circuit.
- ◆ Optional carry-over port.
- ◆ A wide range of antishock+anticavitation port valves.
- ◆ Intermediate sections for several types of circuit.
- ◆ Available manual, pneumatic, electrohydraulic, proportional hydraulic, spool control kits.
- ◆ Diameter 20 mm (0.79 in) interchangeable spools.

型号说明/MODEL CODE



技术参数/PARAMETERS

公称压力 (MPa) Nom. Pressure	最大压力 (MPa) Max. Pressure	公称流量 (L/min) Nom. Flow rate	中位背压 (MPa) Back Pressure	工作油液 hydraulic oil		
				温度范围 (℃) Tem.rang	粘度范围 (mm ² /S) Visc.rang	过滤精度 (μm) filtrating accuracy
16	31.5	160	≤1	-20 ~ +80	10 ~ 400	≤10

SDS180 系列液控分片式多路阀

SDS180 Hydraulic Pilot Control Valve

用途与特征/APPLICATIONS&FEATURES

SDS180系列分片式多路阀引进了欧洲先进技术，具体机构紧凑、耐高压，使用寿命长。SDS180每一片阀体都可以根据客户要求增加溢流阀，补油阀等。控制方式有手动、气动、电液控和软轴遥控等多种不同的控制方式，以满足客户不同的操控需求。该阀广泛应用于工程机械、环卫机械、矿山机械和其他机械的液压系统。

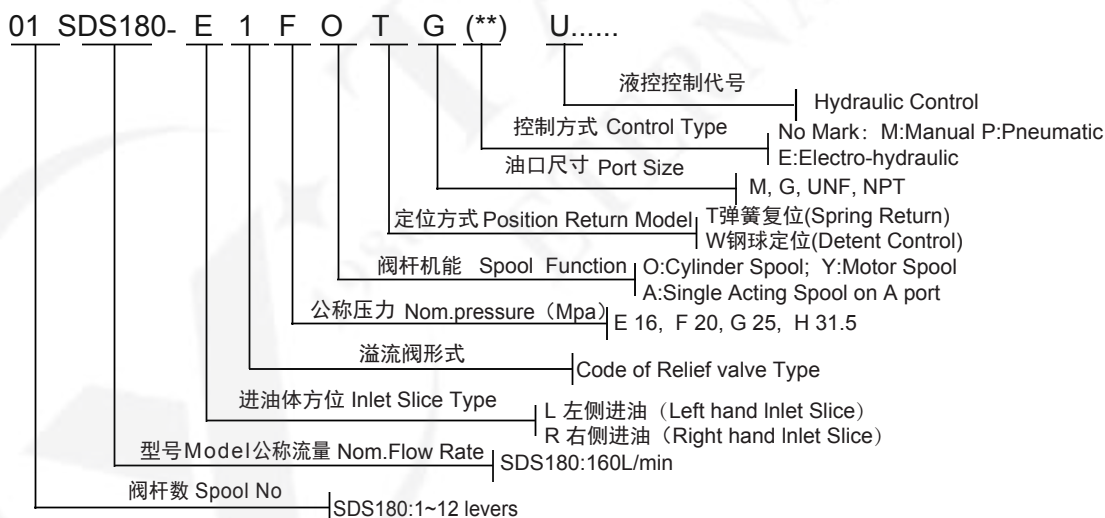


产品特点/FEATURES

Simple, compact and heavy duty designed sectional valve from 1 to 12 sections for open and closed center hydraulic systems.

- ◆ Fitted with a main pressure relief valve and a load check valve on every working section
- ◆ Available with parallel, tandem or series circuit.
- ◆ Optional carry-over port.
- ◆ A wide range of antishock+anticavitation port valves.
- ◆ Intermediate sections for several types of circuit.
- ◆ Available manual, pneumatic, electrohydraulic, proportional hydraulic, spool control kits.
- ◆ Diameter 20 mm (0.79 in) interchangeable spools.

型号说明/MODEL CODE



技术参数/PARAMETERS

公称压力 (MPa) Nom. Pressure	最大压力 (MPa) Max. Pressure	公称流量 (L/min) Nom. Flow rate	中位背压 (MPa) Back Pressure	工作油液hydraulic oil		
				温度范围 (℃) Tem.rang	粘度范围 (mm ² /S) Visc.rang	过滤精度 (μm) filtrating accuracy
16	31.5	160	≤1	-20 ~ +80	10 ~ 400	≤10

SDS180 系列液控分片式多路阀

SDS180 Hydraulic Pilot Control Valve

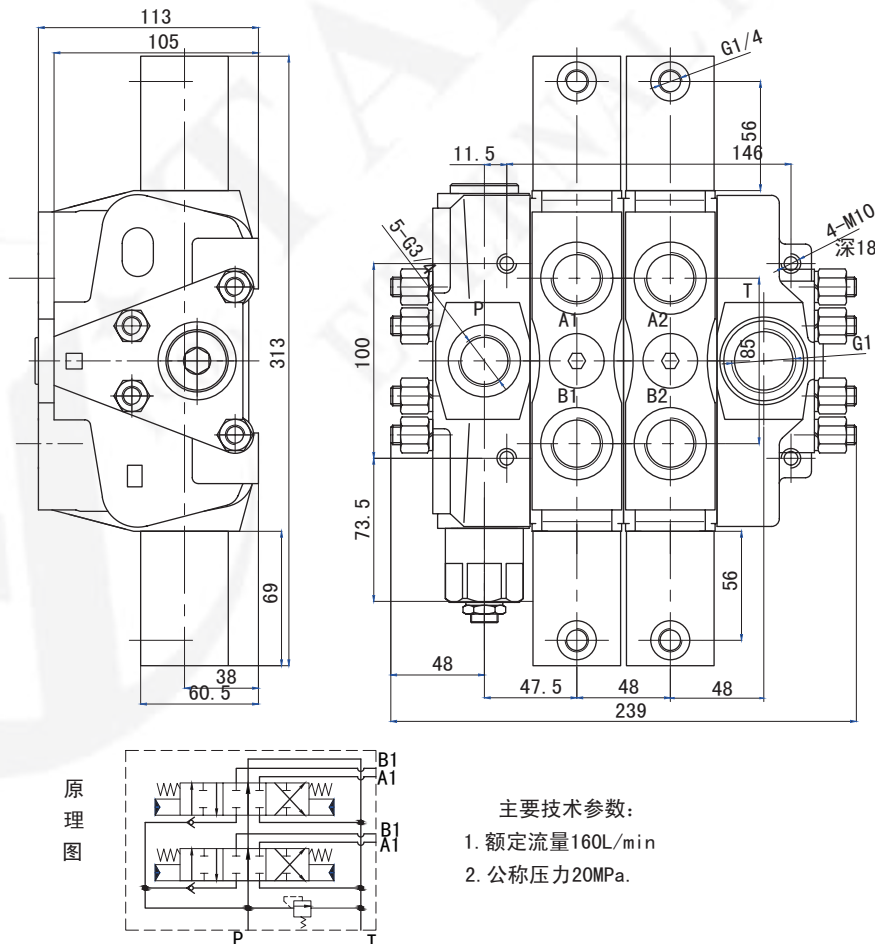
油口尺寸/PORT SIZE

油口 MAIN PORTS	英制 BSP	美制 UN-UNF
进油口 Inlet P	G3/4	1 5/16-12 UN-2B (SAE 16)
工作油口 Ports A and B	G3/4	1 1/16-12 UN-2B (SAE 12)
出油口 Outlet T	G1	1 5/16-12 UN-2B (SAE 16)
高压输出口 carry-over C	G1	1 5/16-12 UN-2B (SAE 16)
液控油口 Hydraulic pilot port	G1/4	9/16-18(SAE6)

注：订货有特殊要求者，请与销售顾问联系。

Note: Special features not listed can often be made to your specifications. Please consult your sales representative.

SDS180外形安装连接尺寸/MODEL SDS180 DIMENSIONAL DATA



SD25 系列分片式多路阀

SD25 Series Sectional Directional Control Valves

产品描述/SPECIFICATION

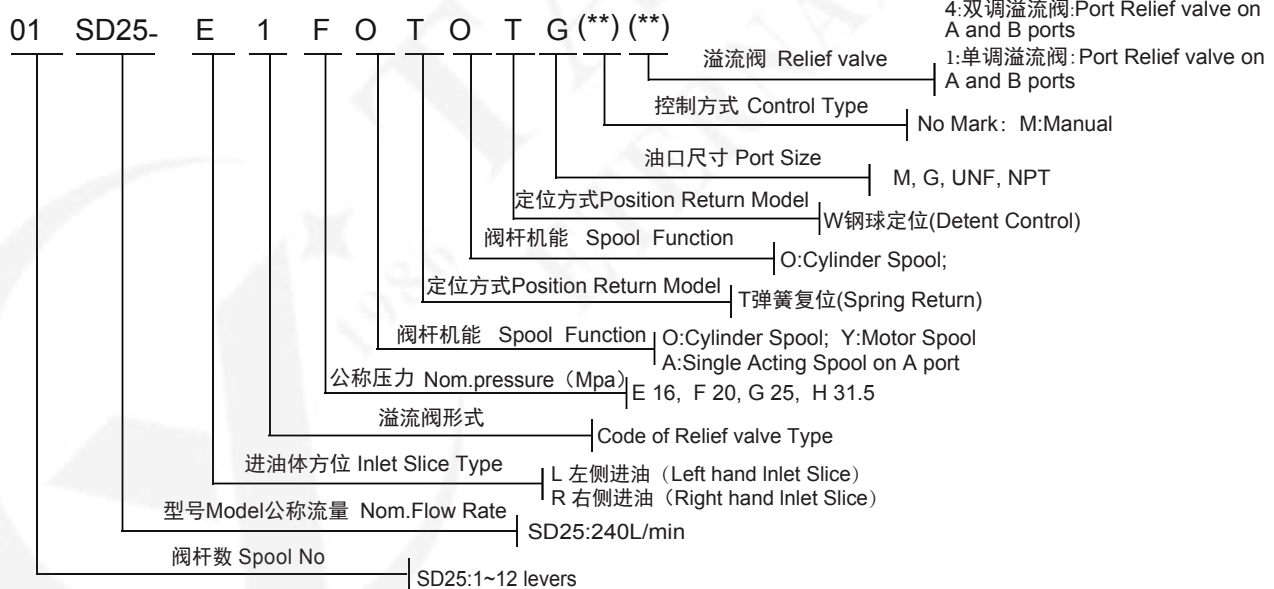
SD25系列分片式多路阀引进了欧洲先进技术，具有机构紧凑、耐高压，使用寿命长。同时SD25片阀的流量高达240l/min，能满足大型工程机械的设计流量要求。SD25每一片阀体都可以根据客户要求增加溢流阀，补油阀等。控制方式有手动、气动、电液控和软轴遥控等多种不同的控制方式，以满足客户不同的操控需求。该阀广泛应用于工程机械、环卫机械、矿山机械和其他机械的液压系统。



产品特点/FEATURES

- ◆ Simple, compact and heavy duty designed sectional valve from 1 to 12 sections for open and closed centre hydraulic systems.
- ◆ Fitted with a main pressure relief valve and a load check valve on every working section
- ◆ Available with parallel or series circuit.
- ◆ Optional carry-over port.
- ◆ A wide variety of service ports and circuit valves.
- ◆ Available manual, pneumatic, hydraulic, electro-hydraulic, and remote with flexible cables spool control kits.
- ◆ Diameter 25 mm (0.98 in) interchangeable spools.

型号说明/MODEL CODE



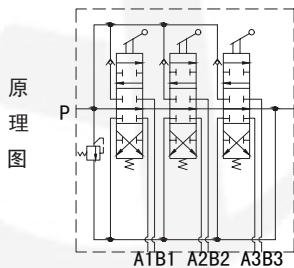
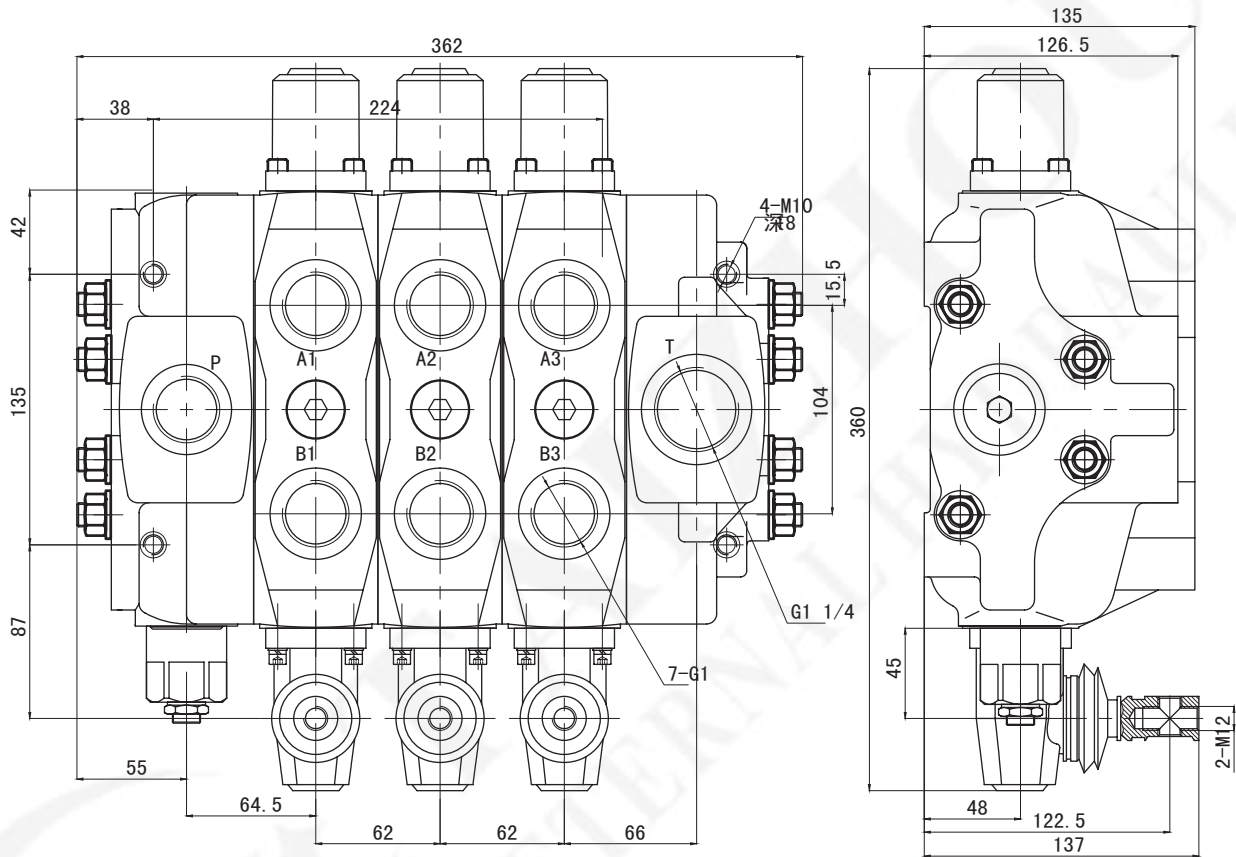
技术参数/PARAMETERS

公称压力 (MPa) Nom. Pressure	最大压力 (MPa) Max. Pressure	公称流量 (L/min) Nom. Flow rate	中位背压 (MPa) Back Pressure	工作油液 hydraulic oil		
				温度范围 (℃) Tem.rang	粘度范围 (mm ² /S) Visc.rang	过滤精度 (μm) filtrating accuracy
16	31.5	240	≤1	-20 ~ +80	10 ~ 400	≤10

SD25 系列分片式多路阀

SD25 Series Sectional Directional Control Valves

SD25 外形安装连接尺寸/MODEL SD25 DIMENSIONAL DATA



主要技术参数:

1. 额定流量240L/min,
2. 公称压力20MPa.

注: 订货有特殊要求者, 请与销售顾问联系。

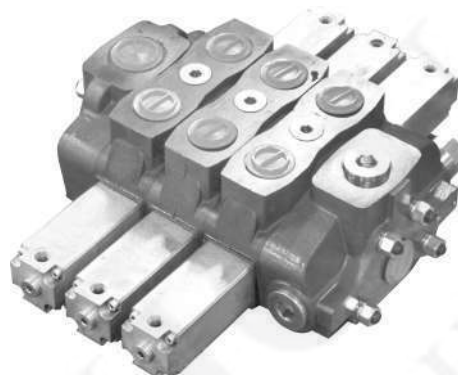
Note: Special features not listed can often be made to your specifications. Please consult your sales representative.

SD25 系列液控多路阀

SD25 Hydraulic Pilot Control Valve

用途与特征/APPLICATIONS&FEATURES

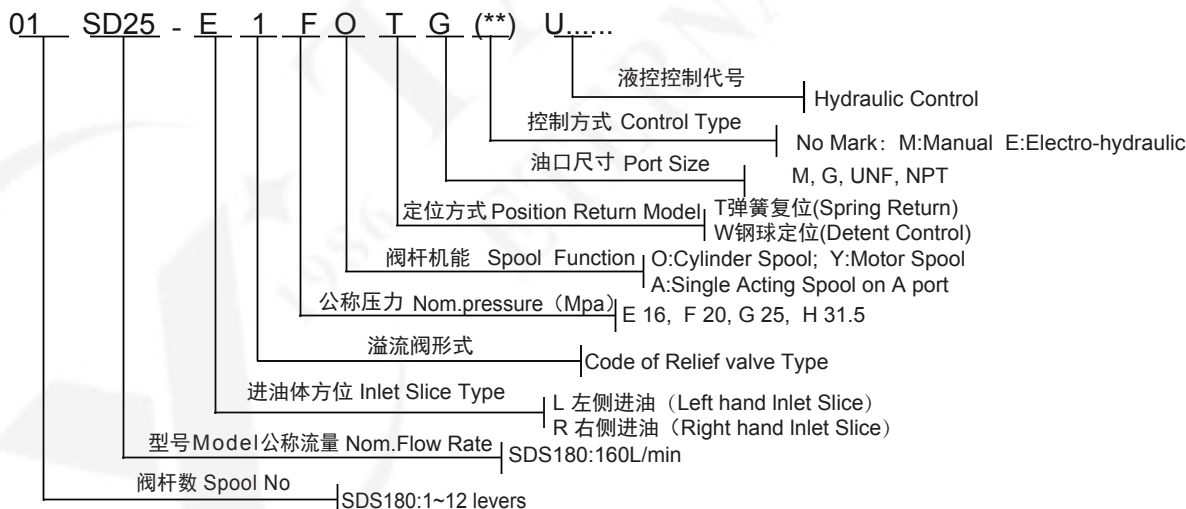
SD25系列分片式多路阀引进了欧洲先进技术，具体有机构紧凑、耐高压，使用寿命长。同时SD25片阀的流量高达240l/min，能满足大型工程机械的设计流量要求。SD25每一片阀体都可以根据客户要求增加溢流阀，补油阀等。控制方式有手动、气动、电液控和软轴遥控等多种不同的控制方式，以满足客户不同的操控需求。该阀广泛应用于工程机械、环卫机械、矿山机械和其他机械的液压系统。



产品特点/FEATURES

- ◆ Simple, compact and heavy duty designed sectional valve from 1 to 12 sections for open and closed center hydraulic systems.
- ◆ Fitted with a main pressure relief valve and a load check valve on every working section
- ◆ Available with parallel or series circuit.
- ◆ Optional carry--over port.
- ◆ A wide variety of service ports and circuit valves.
- ◆ Available manual, pneumatic, hydraulic, electro--hydraulic, and remote with flexible cables spool control kits.
- ◆ Diameter 25 mm (0.98 in) interchangeable spools.

型号说明/MODEL CODE



技术参数/PARAMETERS

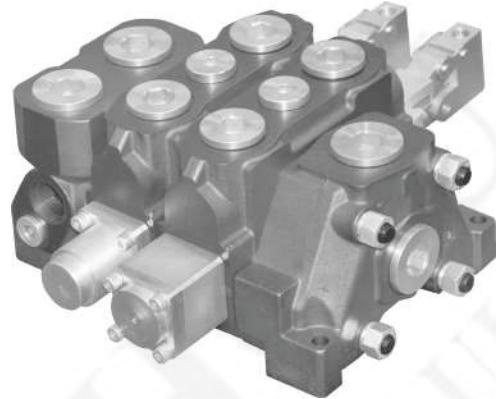
公称压力 (MPa) Nom. Pressure	最大压力 (MPa) Max. Pressure	公称流量 (L/min) Nom. Flow rate	中位背压 (MPa) Back Pressure	工作油液hydraulic oil		
				温度范围 (℃) Tem.rang	粘度范围 (mm ² /S) Visc.rang	过滤精度 (μm) filtrating accuracy
16	31.5	240	≤1	-20 ~ +80	10 ~ 400	≤10

SDS400系列分片式多路阀

SDS400Series Sectional Directional Control Valves

产品描述/SPECIFICATION

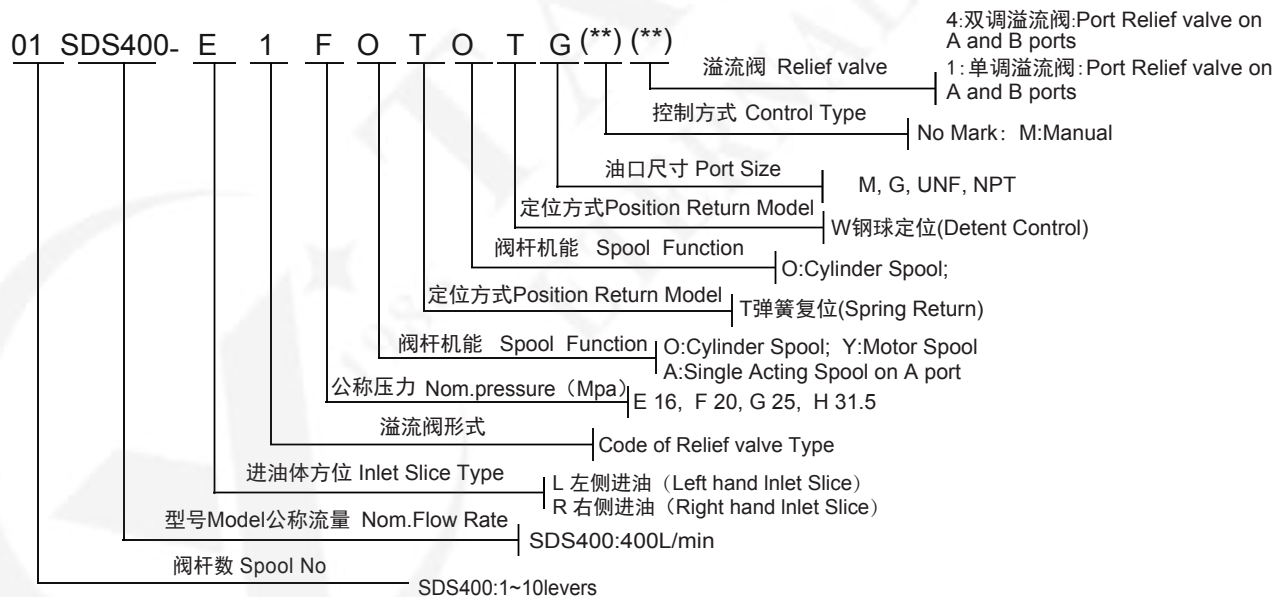
SDS400系列分片式多路阀引进了欧洲先进技术，具有机构紧凑、耐高压，使用寿命长。流量高达400l/min，填补了国内大流量多路阀的空白。SD400每一片阀体都可以根据客户要求增加溢流阀，补油阀等。控制方式有手动、气动、电液控和软轴遥控等多种不同的控制方式，以满足客户不同的操控需求。该阀广泛应用于工程机械、环卫机械、矿山机械和其他机械的液压系统。



产品特点/FEATURES

- ◆ Sectional directional control valve for high flow, available for fixed displacements hydraulic pumps.
- ◆ From 1 to 10 work sections
- ◆ Open centre
- ◆ Optional carry-over port
- ◆ Main pilot relief valve on inlet cover and load check valve on every section
- ◆ Available wide range of port valves Available manual and hydraulic control kits
- ◆ Diameter 30 mm (1.18 in) interchangeable spools

型号说明/MODEL CODE



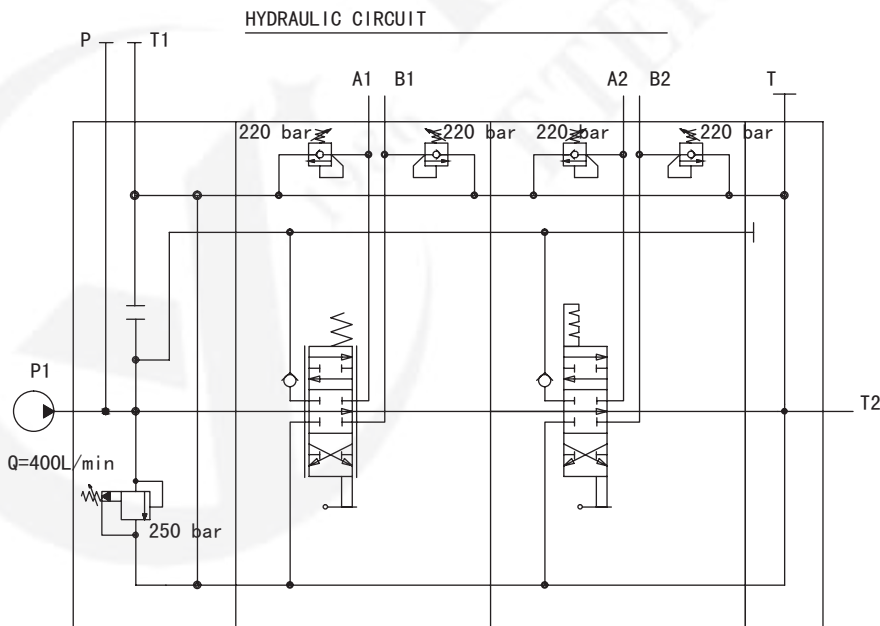
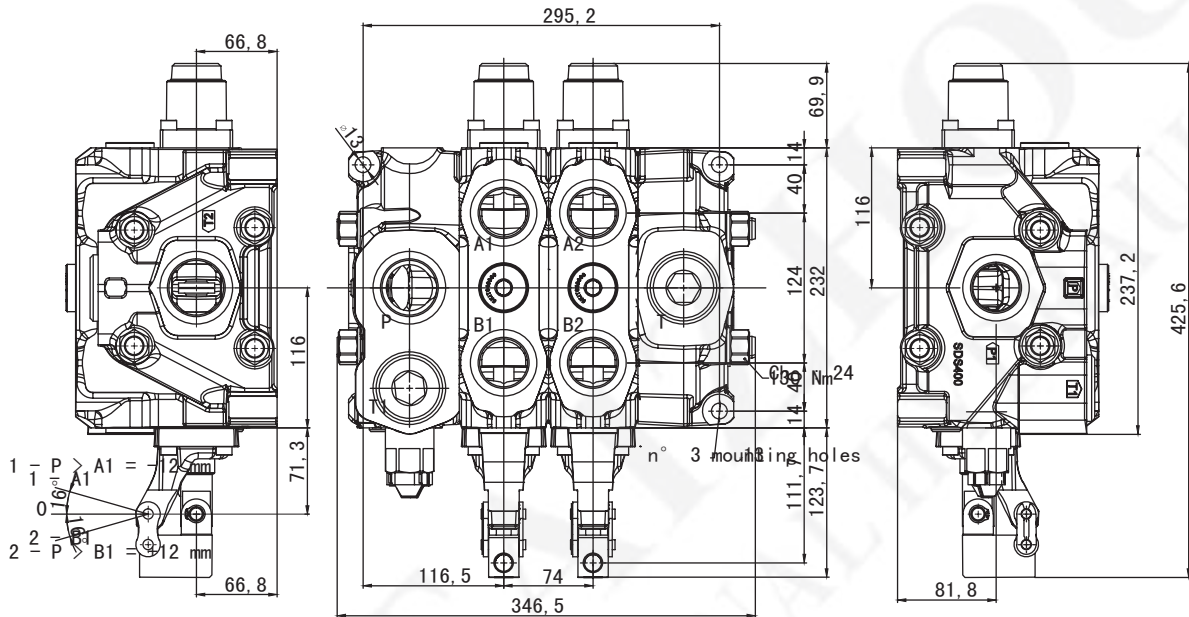
技术参数/PARAMETERS

公称压力 (MPa) Nom. Pressure	最大压力 (MPa) Max. Pressure	公称流量 (L/min) Nom. Flow rate	中位背压 (MPa) Back Pressure	工作油液hydraulic oil		
				温度范围 (℃) Tem.rang	粘度范围 (mm ² /S) Visc.rang	过滤精度 (μm) filtrating accuracy
16	31.5	400	≤1	-20 ~ +80	10 ~ 400	≤10

SDS400 系列分片式多路阀

SDS400 Series Sectional Directional Control Valves

SDS400 外形安装连接尺寸/MODEL SDS400 DIMENSIONAL DATA



注：订货有特殊要求者，请与销售顾问联系。

Note: Special features not listed can often be made to your specifications. Please consult your sales representative.

SDS400 系列液控片式多路阀

SDS400 Hydraulic Pilot Control Valve

用途与特征/APPLICATIONS&FEATURES

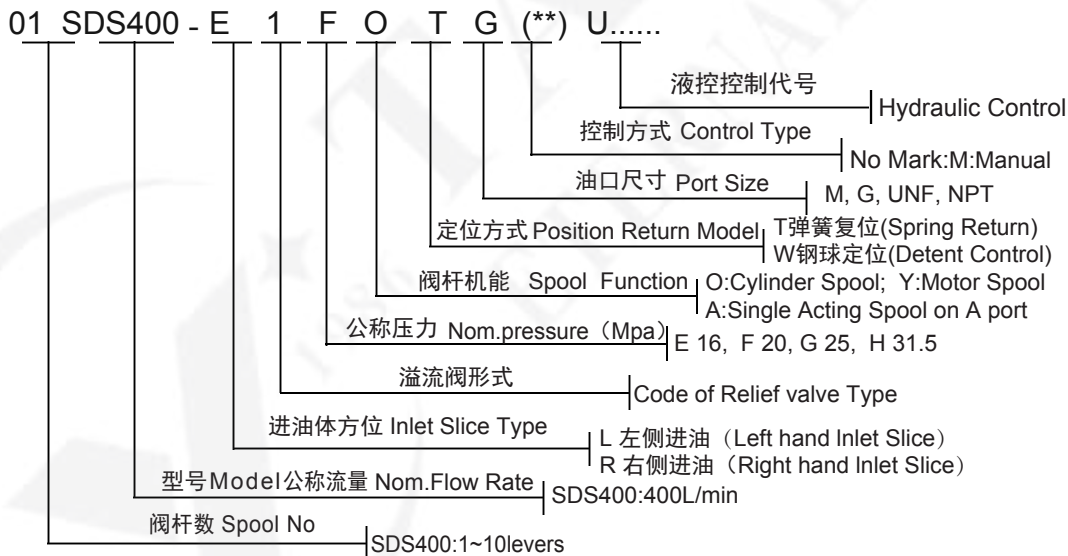
SDS400系列分片式多路阀引进了欧洲先进技术，具体有机构紧凑、耐高压，使用寿命长。流量高达400l/min，填补了国内大流量多路阀的空白。SDS400每一片阀体都可以根据客户要求增加溢流阀，补油阀等。控制方式有手动、气动、电液控和软轴遥控等多种不同的控制方式，以满足客户不同的操控需求。该阀广泛应用于工程机械、环卫机械、矿山机械和其他机械的液压系统。



产品特点/FEATURES

- ◆ Sectional directional control valve for high flow, available for fixed displacements hydraulic pumps.
- ◆ From 1 to 10 work sections
- ◆ Open center
- ◆ Optional carry-over port
- ◆ Main pilot relief valve on inlet cover and load check valve on every section
- ◆ Available wide range of port valves Available manual and hydraulic control kits
- ◆ Diameter 30 mm (1.18 in) interchangeable spools

型号说明/MODEL CODE



技术参数/PARAMETERS

公称压力 (MPa) Nom. Pressure	最大压力 (MPa) Max. Pressure	公称流量 (L/min) Nom. Flow rate	中位背压 (MPa) Back Pressure	工作油液hydraulic oil		
				温度范围 (℃) Tem.rang	粘度范围 (mm2/S) Visc.rang	过滤精度 (μm) filtrating accuracy
16	31.5	400	≤1	-20 ~ +80	10 ~ 400	≤10

SDS400 系列液控片式多路阀

SDS400 Hydraulic Pilot Control Valve

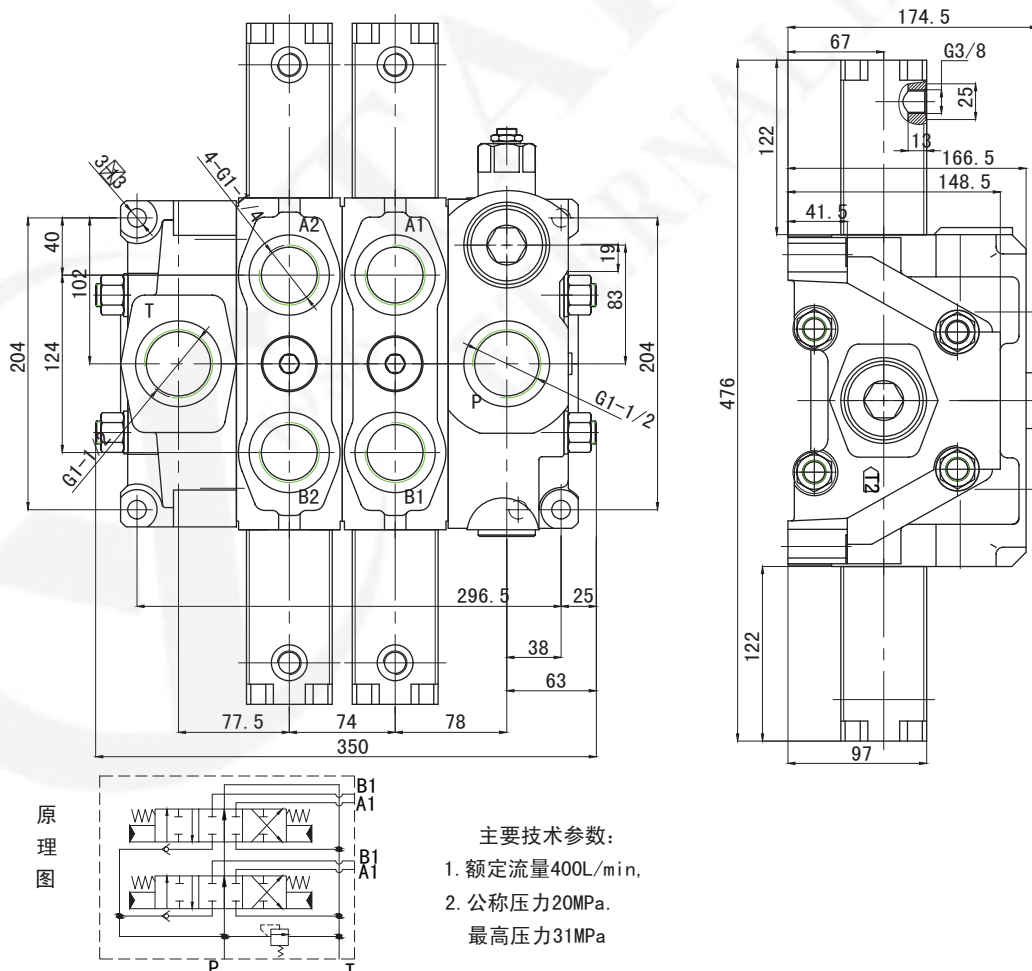
油口尺寸/PORT SIZE

油口 MAIN PORTS	英制 BSP	美制 UN-UNF
进油口 Inlet P/P1	G1 1/2 / G1 1/4	1 7/8-12 (SAE 24) 1 5/8-12 (SAE 20)
工作油口 Ports A and B	G1 1/4	1 5/8-12 (SAE 20)
出油口 Outlet T	G1 1/4	1 7/8-12 (SAE 24)
高压输出口 carry-over C	G1 1/2	1 7/8-12 (SAE 24)
液控油口 Hydraulic pilot port	G3/8	9/16-18 (SAE8)

注：订货有特殊要求者，请与销售顾问联系。

Note: Special features not listed can often be made to your specifications. Please consult your sales representative.

SDS400外形安装连接尺寸/MODEL SDS400 DIMENSIONAL DATA



More Series of Hydraulic Directional Control Valve:

www.xjetl.com/download/directional-valve-download

S Sectional Valve



Item	Pressure (Mpa)	Flow (L/min)	Spool No.	Spool Function	Position Return Model	Port Size	Control Type
P40 Series	E16Mpa F20Mpa G25Mpa H31.5Mpa	40	1-7	O,A,Y,Q	T:Spring Return W:Detent Control	M G UNF NPT	Electro-hydraulic Pneumatic Cable Solenoid Manual Microswitch
P40 Microswitch Series	E16Mpa F20Mpa G25Mpa H31.5Mpa	40	1-7	O,A,Y,Q	T:Spring Return W:Detent Control	M G UNF NPT	
P80 Series	E16Mpa F20Mpa G25Mpa H31.5Mpa	80	1-6	O,A,Y,Q	T:Spring Return W:Detent Control	M G UNF NPT	
P120 (SD18) Series	E16Mpa F20Mpa G25Mpa H31.5Mpa	120	1-4	O,A,Y,Q	T:Spring Return W:Detent Control	M G UNF NPT	Manual
Z50 Series	E16Mpa F20Mpa G25Mpa H31.5Mpa	50	1-7	O,A,Y,Q	T:Spring Return W:Detent Control	M G UNF NPT	Solenoid
Z80 Series	E16Mpa F20Mpa G25Mpa H31.5Mpa	50	1-6	O,A,Y,Q	T:Spring Return W:Detent Control	M G UNF NPT	
ZT(ZD)-L12 Series	E16Mpa F20Mpa G25Mpa H31.5Mpa	50	1-8	O,A,Y,Q	T:Spring Return W:Detent Control	M G UNF NPT	Electro-hydraulic Pneumatic Cable Manual Microswitch
ZT(ZD)-L15 Series	E16Mpa F20Mpa G25Mpa H31.5Mpa	60	1-3	O,A,Y,Q	T:Spring Return W:Detent Control	M G UNF NPT	
ZDa-L15 Series	E16Mpa F20Mpa G25Mpa H31.5Mpa	60	1-10	O,A,Y,Q	T:Spring Return W:Detent Control	M G UNF NPT	
ZT(ZD)-L20 Series	E16Mpa F20Mpa G25Mpa H31.5Mpa	100	1-4	O,A,Y,Q	T:Spring Return W:Detent Control	M G UNF NPT	Pneumatic Manual
ZT(ZD)-L102 (ZT-L10) Series	E16Mpa F20Mpa G25Mpa H31.5Mpa	40	1-6	O,A,Y,Q	T:Spring Return W:Detent Control	M G UNF NPT	Manual



Item	Pressure (Mpa)	Flow (L/min)	Spool No.	Spool Function	Position Return Model	Port Size	Control Type
SD4 Series	E16Mpa F20Mpa G25Mpa H31.5Mpa	40	1	O,A,Y,Q	T:Spring Return W:Detent Control	M G UNF NPT	Manual
SD5 Series	E16Mpa F20Mpa G25Mpa H31.5Mpa	45	1-6	O,A,Y,Q	T:Spring Return W:Detent Control	M G UNF NPT	Electro-hydraulic Pneumatic Solenoid Manual
SD11 Series	E16Mpa F20Mpa G25Mpa H31.5Mpa	70	1-4	O,A,Y,Q	T:Spring Return W:Detent Control	M G UNF NPT	Manual
SD14 Series	E16Mpa F20Mpa G25Mpa H31.5Mpa	110	1	O,A,Y,Q	T:Spring Return W:Detent Control	M G UNF NPT	
SD8 Series	E16Mpa F20Mpa G25Mpa H31.5Mpa	70	1-10	O,A,Y,Q	T:Spring Return W:Detent Control	M G UNF NPT	Electro-hydraulic Pneumatic Solenoid Manual
SD180 Series	E16Mpa F20Mpa G25Mpa H31.5Mpa	160	1-10	O,A,Y,Q	T:Spring Return W:Detent Control	M G UNF NPT	Pilot Control Pneumatic Manual
SD25 Series	E16Mpa F20Mpa G25Mpa H31.5Mpa	240	1-12	O,A,Y,Q	T:Spring Return W:Detent Control	M G UNF NPT	Manual
DCV40 Series	E16Mpa F20Mpa G25Mpa H31.5Mpa	40	1-8	O,A,Y,Q	T:Spring Return W:Detent Control	M G UNF NPT	Electro-hydraulic Pneumatic Cable Manual Microswitch
DCV80 Series	E16Mpa F20Mpa G25Mpa H31.5Mpa	100	1-4	O,A,Y,Q	T:Spring Return W:Detent Control	M G UNF NPT	Pneumatic Manual
DCV60 Series	E16Mpa F20Mpa G25Mpa H31.5Mpa	50	1-12	O,A,Y,Q	T:Spring Return W:Detent Control	M G UNF NPT	Electro-hydraulic Pneumatic Manual
DCV100 Series	E16Mpa F20Mpa G25Mpa H31.5Mpa	90	1-14	O,A,Y,Q	T:Spring Return W:Detent Control	M G UNF NPT	

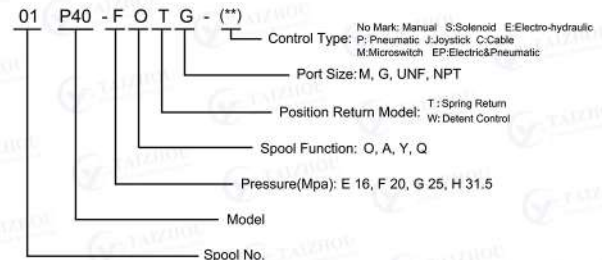


Item	Pressure (Mpa)	Flow (L/min)	Spool No.	Spool Function	Position Return Model	Port Size	Control Type
DCV140 Series	E16Mpa F20Mpa G25Mpa H31.5Mpa	130	1-14	O,A,Y,Q	T:Spring Return W:Detent Control	M G UNF NPT	Electro-hydraulic Pneumatic Manual
DCV200 Series	E16Mpa F20Mpa G25Mpa H31.5Mpa	180	1-14	O,A,Y,Q	T:Spring Return W:Detent Control	M G UNF NPT	Manual
ZS-L10 Series	E16Mpa F20Mpa G25Mpa H31.5Mpa	40	1-18	O,A,Y,Q	T:Spring Return W:Detent Control	M G UNF NPT	Manual
ZS-L20 Series	E16Mpa F20Mpa G25Mpa H31.5Mpa	100	1-15	O,A,Y,Q	T:Spring Return W:Detent Control	M G UNF NPT	
ZS-L25 Series	E16Mpa F20Mpa G25Mpa H31.5Mpa	160	1-12	O,A,Y,Q	T:Spring Return W:Detent Control	M G UNF NPT	
MB2 Series	E16Mpa F20Mpa G25Mpa H31.5Mpa	40	1	O,A,Y,Q	T:Spring Return W:Detent Control	M G UNF NPT	Manual
MB3 Series	E16Mpa F20Mpa G25Mpa H31.5Mpa	45	1-6	O,A,Y,Q	T:Spring Return W:Detent Control	M G UNF NPT	Electro-hydraulic Manual Pneumatic Hydraulic
MB5 Series	E16Mpa F20Mpa G25Mpa H31.5Mpa	70	1-6	O,A,Y,Q	T:Spring Return W:Detent Control	M G UNF NPT	Manual
RD5100/ RD5200/ RD5300 Series	E16Mpa F20Mpa G25Mpa H31.5Mpa	120	1-3	O,A,Y,Q	T:Spring Return W:Detent Control	M G UNF NPT	Manual
SVV90 Series	E16Mpa F20Mpa G25Mpa H31.5Mpa	90	1	O,A,Y,Q	T:Spring Return W:Detent Control	M G UNF NPT	Solenoid
LVA Series	E16Mpa F20Mpa G25Mpa H31.5Mpa	95	1	O,A,Y,Q	T:Spring Return W:Detent Control	M G UNF NPT	Manual



Item	Pressure (Mpa)	Flow (L/min)	Spool No.	Spool Function	Position Return Model	Port Size	Control Type
JYPM100 Series	E16Mpa F20Mpa G25Mpa H31.5Mpa	115	1	O,A,Y,Q	T:Spring Return W:Detent Control	M G UNF NPT	Manual
LKF Series	E16Mpa F20Mpa G25Mpa H31.5Mpa	30/ 60/ 114		O,A,Y,Q	T:Spring Return W:Detent Control	M G UNF NPT	

Mode Code



Spool Function Symbols



O Spool Function



Y Spool Function



A Spool Function



Q Spool Function

Port Size

Flow	M	G	UNF	NPT
≤60L	M18x1.5	G 3/8"	3/4-16 UNF	NPT 3/8"
60-80L	M22x1.5	G 1/2"	7/8-14 UNF	NPT 1/2"
100-140L	M27x2	G 3/4"	1-1/8-12 UNF	NPT 3/4"
140-160L	M33x2	G 1"	1-1/8-12 UNF	NPT 1"
160-240L	M42x2	G 1-1/2"	1-3/8-12 UNF	NPT 1-1/2"

If you need special dimension port size, please consult to our Engineer.