

一、P 系列多路阀 P Series Directional Control Valve

P40 系列 P40 Series	1
Z50 电磁控系列 Z50 Solenoid Control Valve	3
P40 系列电液控多路阀 P40 Electric and Hydraulic Control Valve	5
P80 系列 P80 Series	7
P80 电磁控系列 P80 Solenoid Control Valve	9
P80 系列电液控多路阀 P80 Electric and Hydraulic Control Valve	11

二、ZD(ZT)系列多路阀 ZD(ZT) Series Directional Control Valve

ZD-L102 系列 ZD-L102 Series.....	19
BDL-L40 系列 BDL-L40 Series.....	21
ZD-L15 系列 ZD-L15 Series.....	23
ZD-L15 气控系列 ZD-L15 Pneumatic Control Valve.....	25
ZD-L15 电气控系列 ZD-L15 Electric and Pneumatic Control Valve.....	27
ZDa-L15 系列 ZDa-L15 Series.....	29
ZDa-L15 气控系列 ZDa-L15 Pneumatic Control Valve.....	31
ZDa-L15 电气控系列 ZDa-L15 Electric and Pneumatic Control Valve.....	33
ZDa-L15 电液控系列 ZDa-L15 Electric and Hydraulic Control Valve.....	35
ZT-L20 系列 ZT-L20 Series.....	37
ZT-L20 气控系列 ZT-L20 Pneumatic Control Valve.....	39
ZT-L20 电气控系列 ZT-L20 Electric and Pneumatic Control Valve.....	41

三、SD 系列多路阀 SD Series Directional Control Valve

SD 系列整体阀 SD Series mono block control valves	43
SD4 系列 SD4 Series	43
SD5 系列 SD5 Series	45
SD5 电磁控系列 SD5 Solenoid Control Valve	47
SD11 系列 SD11 Series	49
SD14 系列 SD14 Series	51
SMD141 滑移式装载机专用阀系列 SDM141 Series.....	53
SD18 系列 SD18 Series	55

SD 系列分片阀 SD Series sectional control valves	57
SD8 系列 SD8 Series	57
SD8 系列液控多路阀 SD8 Hydraulic Pilot Control Valve.....	59
SDS180 系列 SDS180 Series.....	61
SDS180 系列液控多路阀 SDS180 Hydraulic Pilot Control Valve	63
SD25 系列 SD25 Series	65
SD25 系列液控多路阀 SD25 Hydraulic Pilot Control Valve	67
SDS400 系列 SDS400 Series.....	69
SDS400 系列液控多路阀 SDS400 Hydraulic Pilot Control Valve	71

四、DCV 系列多路阀 DCV Series Directional Control Valve

DCV 系列整体阀 DCV Series mono block control valves	73
DCV20 系列 DCV20 Series	73
DCV40 系列 DCV40 Series	75
DCV40 气控系列 DCV40 Pneumatic Control Valve	77
DCV40 电气控系列 DCV40 Electric and Pneumatic Control Valve.....	79
DCV40 电液控系列 DCV40 Electric and Hydraulic Control Valve.....	81
DCV 系列分片阀 SD Series sectional control valves	83
DCV 系列分体式多路阀如何订货及相关说明.....	83
How to order DCV series sectional control valves	83
DCV60 系列 DCV60 Series	95
DCV100 系列 DCV100 Series	102
DCV140 系列 DCV140 Series	108

五、其他多路阀 Other Directional Control Valves

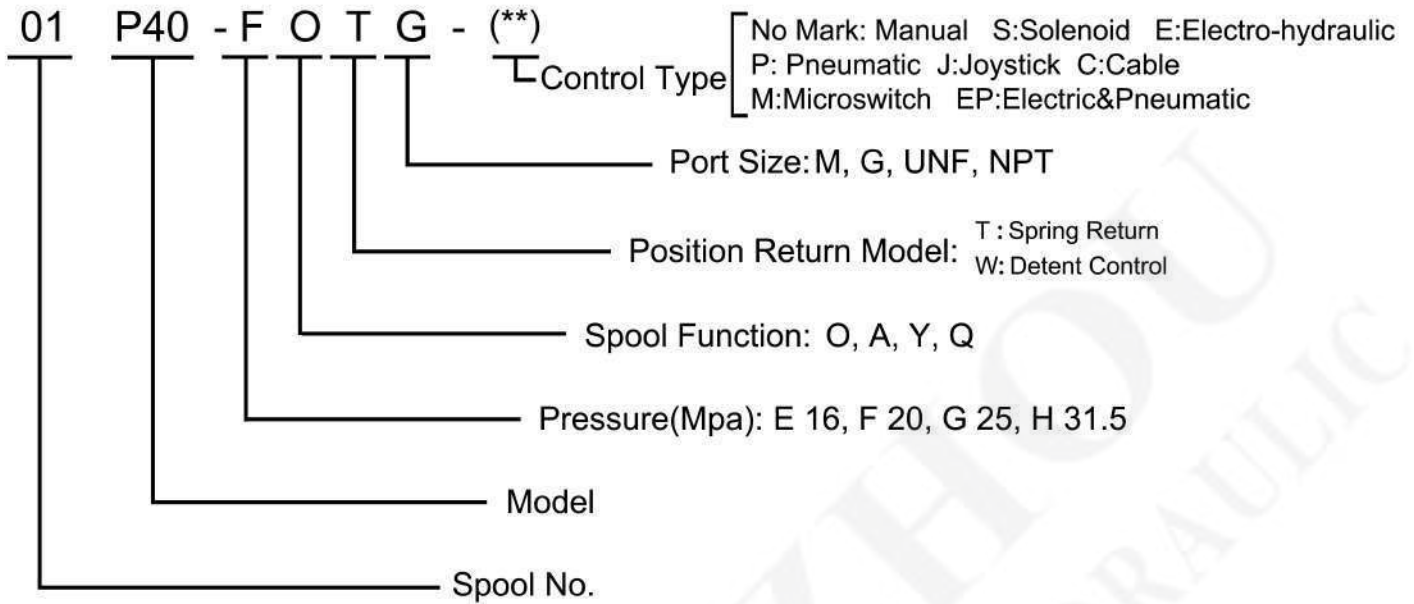
ZS 系列 ZS Series	112
ZS1 系列 ZS1 Series	113
ZS1-L10 系列 ZS-L10 Series.....	114
ZS1-L15 系列 ZS1-L15 Series.....	115
ZS3 系列 ZS3 Series	117
ZS3-L10 系列 ZS-L10 Series.....	118
ZS3-L20 系列 ZS-L20 Series.....	119

MB 系列 MB Series	120
RD5000 系列 RD5000 Series	125
DL 系列 DL Series	128
DL-L15 系列 DL-L15 Series.....	132
SQDL-L15 系列 SQDL-L15 Series	134
YDL-L15 系列 YDL-L15 Series	136
DL-L20 系列 DL-L20 Series.....	138
SQDL-L20 系列 SQDL-L20 Series	140
YDL-L20 系列 YDL-L20 Series	142
DL-8 系列 DL-8 Series	144
DF-50 系列 DF50 Series	147
CDB 系列 CDB Series	150
CDB-F15 系列 CDB-F15 Series	153
ZCDB-F15 系列 ZCDB-F15 Series	154
CDB-F20 系列 CDB-F20 Series	156
ZCDB-F20 系列 ZCDB-F20 Series	157
ZY08 系列 ZY08 Series	158

六、其他液压阀和配件 Other hydraulic control valves and Parts

LKF 系列流量控制阀 LKF Series Flow Control Valve	160
SVV06 电磁切换阀 SVV06 Solenoid Diverter Valve	162
DVS90 电磁切换阀 DVS90 Solenoid Diverter Valve	164
SVV09 电磁切换阀 SVV09 Solenoid Diverter Valve	166
转阀 Rotary Spool Valve	168
LVA 劈木机阀系列 LVA Series Log Splitter Valve	171
BZZ 型全液压转向器 BZZ Hydraulic Steering Units	173

Mode Code



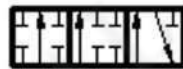
Spool Function Symbols



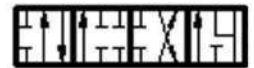
O Spool Function



Y Spool Function



A Spool Function



Q Spool Function

Port Size

Flow	M	G	UNF	NPT
≤60L	M18x1.5	G 3/8"	3/4-16 UNF	NPT 3/8"
60-80L	M22x1.5	G 1/2"	7/8-14 UNF	NPT 1/2"
100-140L	M27x2	G 3/4"	1- 1/16-12 UNF	NPT 3/4"
140-160L	M33x2	G 1"	1- 5/16-12 UNF	NPT 1"
160-240L	M42x2	G 1-1/2"	1- 5/8-12 UNF	NPT 1-1/2"

If you need special dimension port size, please consult to our Engineer.

P40 系列整体阀

P40 Series Monoblock Directional Control Valves

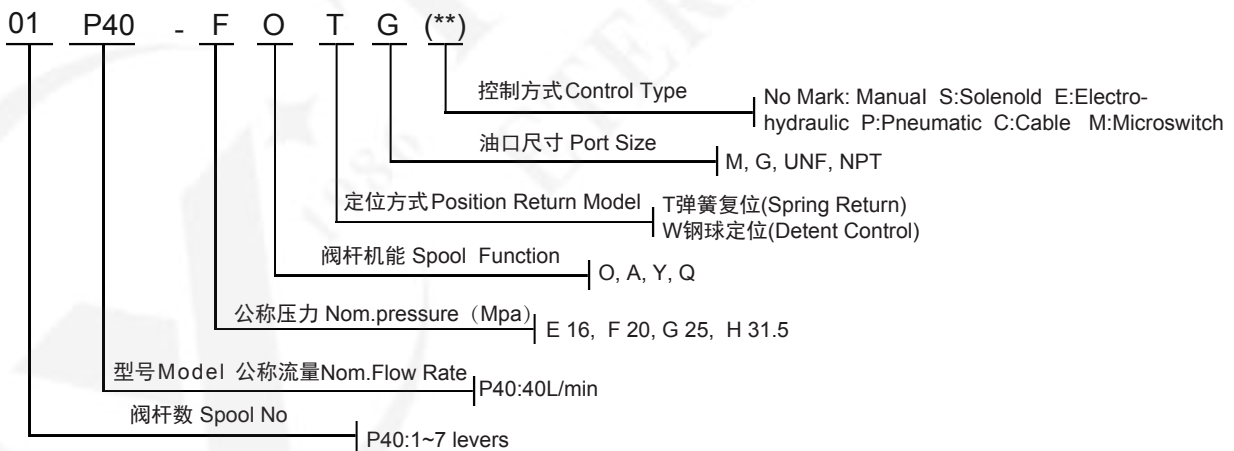
用途与特征/APPLICATIONS&FEATURES

P40系列整体式多路阀是我公司引进欧洲的一种中高压整体式多路阀。可按客户要求，在阀上设溢流阀、单向阀。溢流阀可调节压力，单向阀防止油液倒流。换向阀的滑阀机能可有A,O,P,Y等，可任意组合，换向手柄有两种安装形式，便于不同方向的操作，该阀采用并联或者串联油路，设计有压力输出接口与其他液压元件相连接提供动力源。经过特殊设计的密封方式，使阀的密封性能卓越。该阀广泛应用于叉车、环卫车辆、小型装载机工程机械的液压系统。



- ◆ 溢流阀可调节压力，单向阀防止油液倒流。
- ◆ 换向阀的滑阀机能可有A,O,P,Y等，可任意组合，换向手柄有两种安装形式，便于不同方向的操作。
- ◆ 该阀采用并联或者串联油路，设计有压力输出接口与其他液压元件相连接提供动力源。
- ◆ 经过特殊设计的密封方式，使阀的密封性能卓越。
- ◆ 该阀广泛应用于叉车、环卫车辆、小型装载机工程机械的液压系统。

型号说明/MODEL CODE



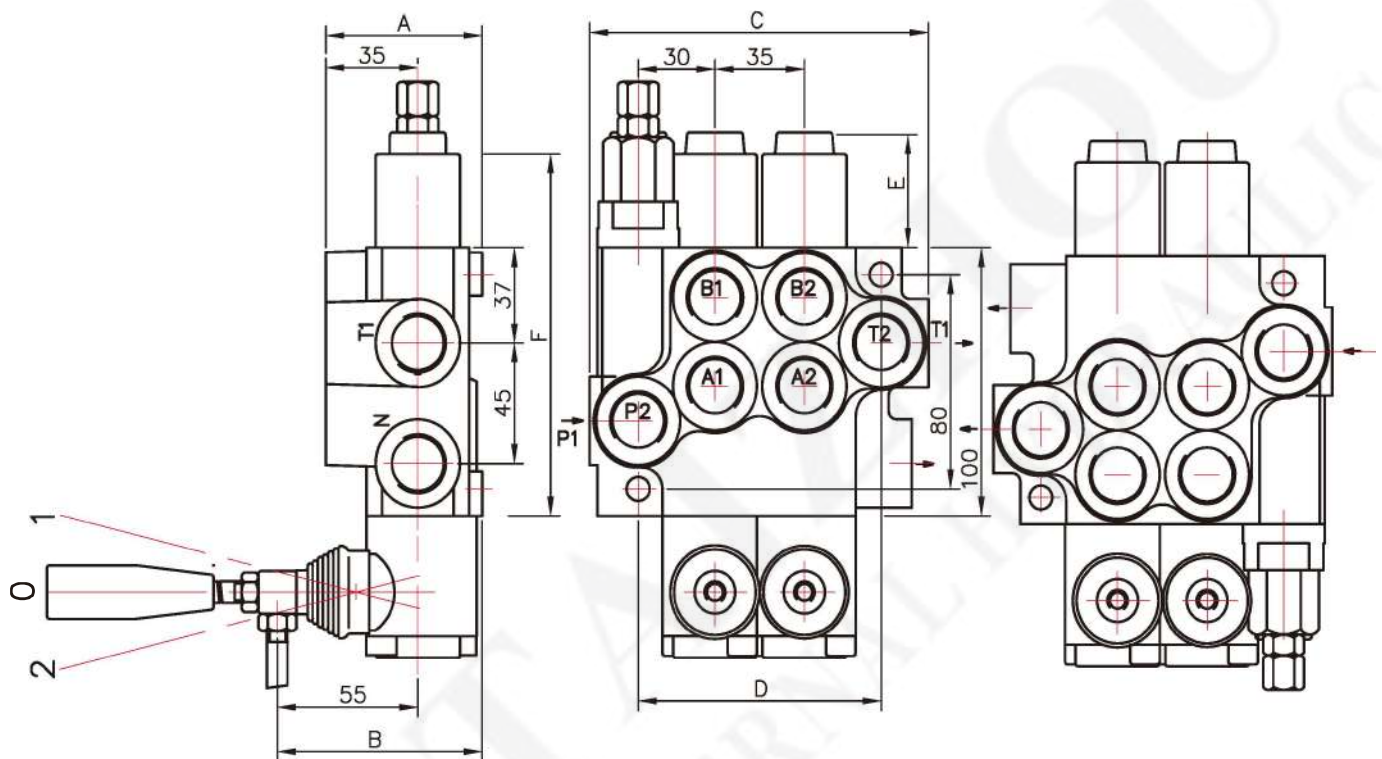
技术参数/PARAMETERS

公称压力 (MPa) Nom. Pressure	最大压力 (MPa) Max. Pressure	公称流量 (L/min) Nom. Flow rate	最大流量 (L/min) Max. Flow rate	中位背压 (MPa) Back Pressure	工作油液hydraulic oil		
					温度范围 (℃) Tem.rang	粘度范围 (mm ² /S) Visc.rang	过滤精度 (μm) filtrating accuracy
20	31.5	40	40	≤1	-20 ~ +80	10 ~ 400	≤10

P40 系列整体阀

P40 Series Monoblock Directional Control Valves

P40外形安装连接尺寸/MODEL P40 DIMENSIONAL DATA



	A	B	C	D
01P40	60	80	85	60
02P40	60	80	129	97
03P40	60	80	164	132
04P40	60	80	199	167
05P40	60	80	234	202
06P40	60	80	269	237
07P40	60	80	304	272
08P40	60	80	339	307

注：订货有特殊要求者，请与销售顾问联系。

Note: Special features not listed can often be made to your specifications. Please consult your sales representative.

Z50 系列电磁控整体式多路阀

Z50 Solenoid Control Valve

用途与特征/APPLICATIONS&FEATURES

Z50系列电磁控整体式多路阀是我公司引进欧洲的一种中高压、电磁阀控制的整体多路阀。该阀采用并联或者串联油路，设计有压力输出与其他液压元件连接提供动力源。经过特殊设计的密封方式，使阀的密封性能卓越。该阀广泛应用于叉车、环卫车辆、小型装载机工程机械的液压系统。

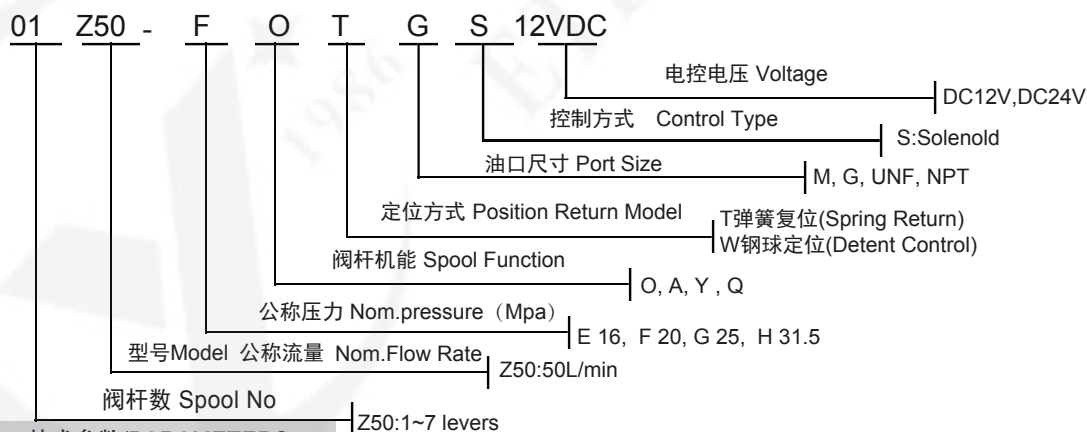


Z50 series valves with middle-high pressure monoblock construction is developed based on Europe technology.

The monoblock directional control valves-solenoid operated, offer perfect choice whether you are designing a new system or just simply trying to get more out of your current system. With two special spools and 7 different monoblock housings these valves can meet the specific needs of your application and hydraulic schemes by their double acting in 3 positions A and D spools.

- ◆ Inner check valve: The check valve inside the valve body is to insure the hydraulic oil will not be returned.
 - ◆ Inner relief valve: The relief valve inside the valve body is able to adjust the hydraulic system working pressure.
 - ◆ Oil way: Parallel circuit, power beyond option
 - ◆ Coils, Connector ISO4400: 12VDC, 24VDC
 - ◆ Threads: P,T-G1/2, SAE10, A,B-G3/8,SAE8
 - ◆ Valve construction: Monoblock construction, 1-7 levers.
 - ◆ Precise bore honing and spool grinding results in less cross-port leakage and less wasted energy.
- These precise valves also allow for interchangeable spools for easy on place maintenance.

型号说明/MODEL CODE



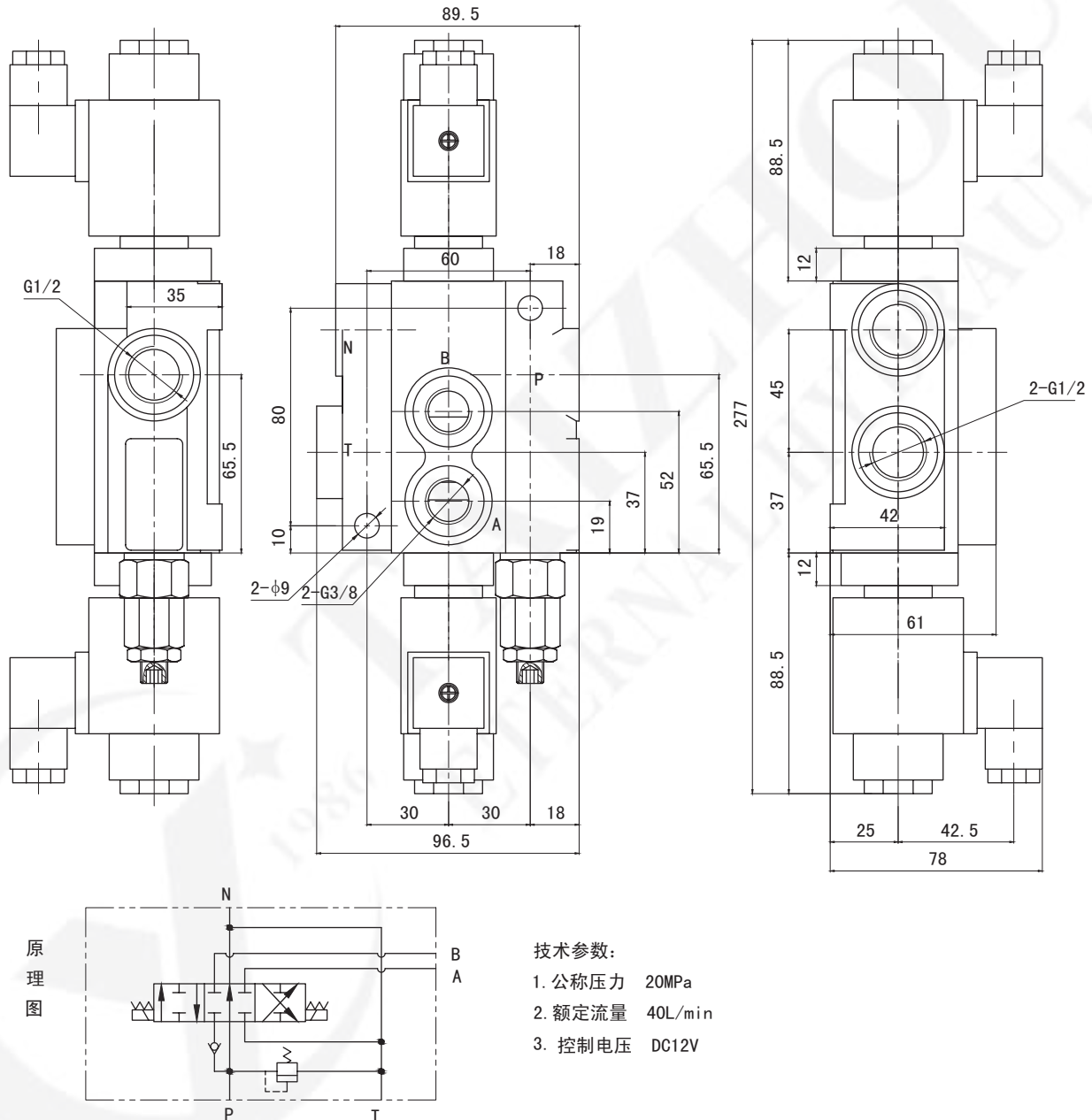
技术参数/PARAMETERS

公称压力 (MPa) Nom. Pressure	最大压力 (MPa) Max. Pressure	公称流量 (L/min) Nom. Flow rate	最大流量 (L/min) Max. Flow rate	中位背压 (MPa) Back Pressure	工作油液 hydraulic oil		
					温度范围 (℃) Tem.rang	粘度范围 (mm ² /S) Visc.rang	过滤精度 (μm) filtrating accuracy
20	31.5	40	50	≤1	-20 ~ +80	10 ~ 400	≤1

Z50 系列电磁控整体式多路阀

Z50 Solenoid Control Valve

Z50外形安装连接尺寸/MODEL Z50 DIMENSIONAL DATA



注：订货有特殊要求者，请与销售顾问联系。

Note: Special features not listed can often be made to your specifications. Please consult your sales representative.

P40 系列电液控多路阀

P40 Electric and Hydraulic Control Valve

用途与特征/APPLICATIONS&FEATURES

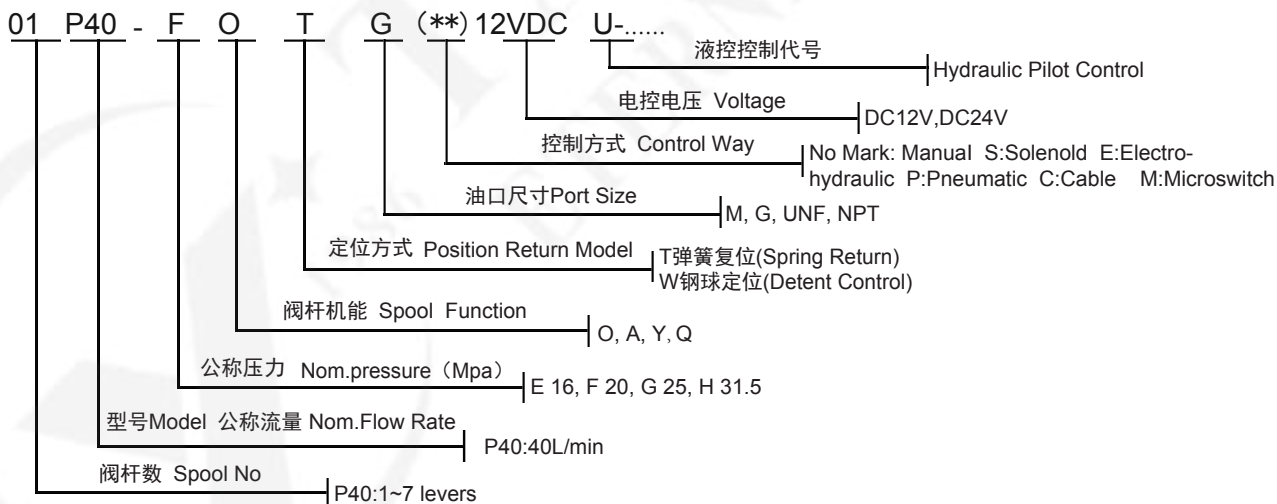
P40系列整体式多路阀是我公司引进欧洲的一种中高压整体式多路阀。可按客户要求，在阀上设溢流阀、单向阀。溢流阀可调节压力，单向阀防止油液倒流。换向阀的滑阀机能可有A,O,P,Y等，可任意组合，换向手柄有两种安装形式，便于不同方向的操作，该阀采用并联或者串联油路，设计有压力输出接口与其他液压元件相连接提供动力源。经过特殊设计的密封方式，使阀的密封性能卓越。该阀广泛应用于叉车、环卫车辆、小型装载机工程机械的液压系统。



P40 series valves with middle-high pressure monoblock construction is developed based on Europe technology.

- ◆ Inner check valve: The check valve inside the valve body is to insure the hydraulic oil will not be returned.
- ◆ Inner relief valve: The relief valve inside the valve body is able to adjust the hydraulic system working pressure.
- ◆ Oil way: Parallel circuit, power beyond option
- ◆ Control Way: Manual control, pneumatic control, hydraulic and electric control for optional.
- ◆ Valve construction: monoblock construction, 1-7 levers.
- ◆ Spool Function: O, Y, P, A.
- ◆ Option: Hydraulic lock is available to be added on A and B port.
- ◆ Available with manual, pneumatic control, electric and pneumatic control, hydraulic and electric control and etc.

型号说明/MODEL CODE



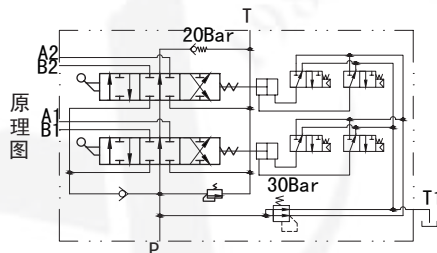
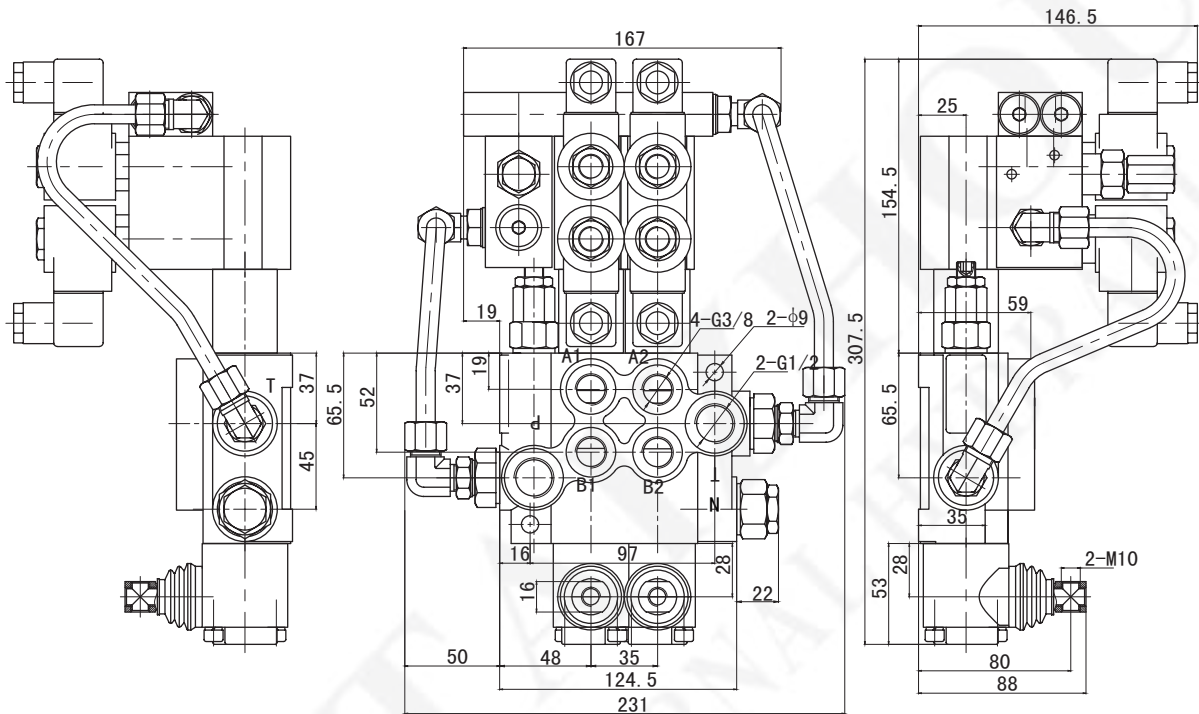
技术参数/PARAMETERS

公称压力 (MPa) Nom. Pressure	最大压力 (MPa) Max. Pressure	公称流量 (L/min) Nom. Flow rate	最大流量 (L/min) Max. Flow rate	中位背压 (MPa) Back Pressure	工作油液 hydraulic oil		
					温度范围 (℃) Tem.rang	粘度范围 (mm ² /S) Visc.rang	过滤精度 (μm) filtrating accuracy
20	31.5	40	50	≤1	-20 ~ +80	10 ~ 400	≤10

P40 系列电液控多路阀

P40 Electric and Hydraulic Control Valve

P40外形安装连接尺寸/MODEL P40 DIMENSIONAL DATA



技术参数:

1. 公称压力 20MPa
2. 额定流量 40L/min
3. 控制电压为直流 DC12V/DC24V。

注: 订货有特殊要求者, 请与销售顾问联系。

Note: Special features not listed can often be made to your specifications. Please consult your sales representative.

P80 系列整体阀

P80 Series Monoblock Directional Control Valves

用途与特征/APPLICATIONS&FEATURES

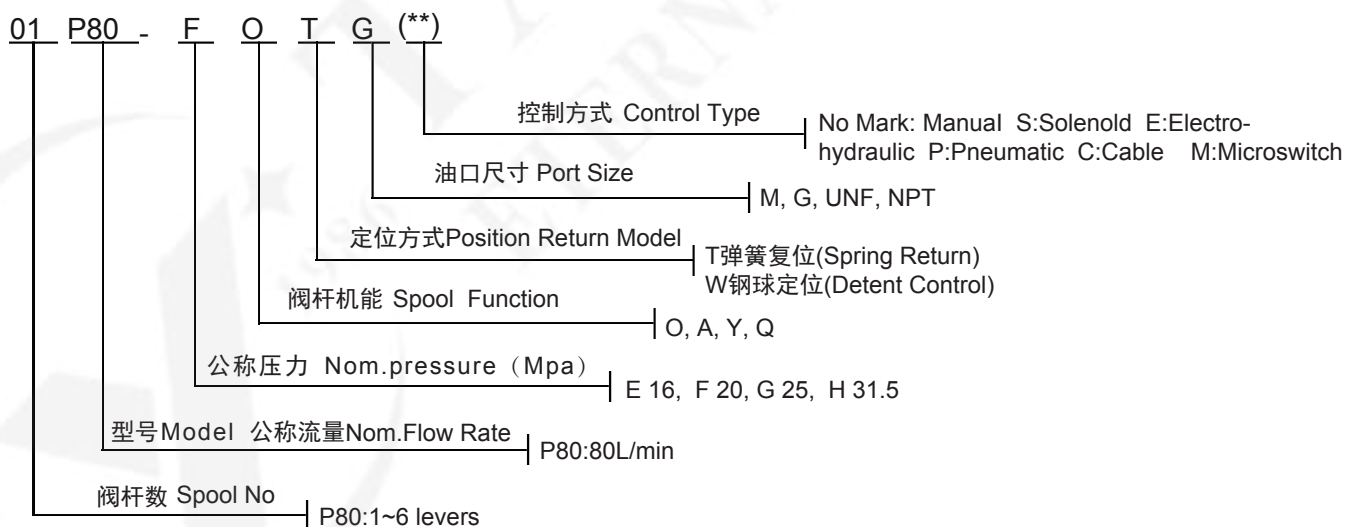
P80系列整体式多路阀是我公司引进欧洲的一种中高压整体式多路阀。可按客户要求可在阀上设溢流阀、单向阀。溢流阀可调节压力，单向阀防止油液倒流。换向阀的滑阀机能可有A,O,P,Y等，可任意组合，换向手柄有两种安装形式，便于不同方向的操作，该阀采用并联或者串联油路，设计有压力输出口与其他液压元件相连接提供动力源。经过特殊设计的密封方式，使阀的密封性能卓越。该阀广泛应用于叉车、环卫车辆、小型装载机工程机械的液压系统。



P80 series valves with middle-high pressure monoblock construction is developed based on Europe technology.

- ◆ Inner check valve: The check valve inside the valve body is to insure the hydraulic oil not to be returned.
- ◆ Inner relief valve: The relief valve inside the valve body is able to adjust the hydraulic system working pressure.
- ◆ Oil way: Parallel circuit, power beyond option
- ◆ Control Way: Manual control, pneumatic control, hydraulic and electric control for optional.
- ◆ Valve construction: monoblock construction, 1-6 levers.
- ◆ Spool Function: O,Y, P,A.
- ◆ Option:Hydraulic lock is available to be added on A and B port.
- ◆ Available manual, pneumatic control, electric and pneumatic control, hydraulic and electric control and etc.

型号说明/MODEL CODE



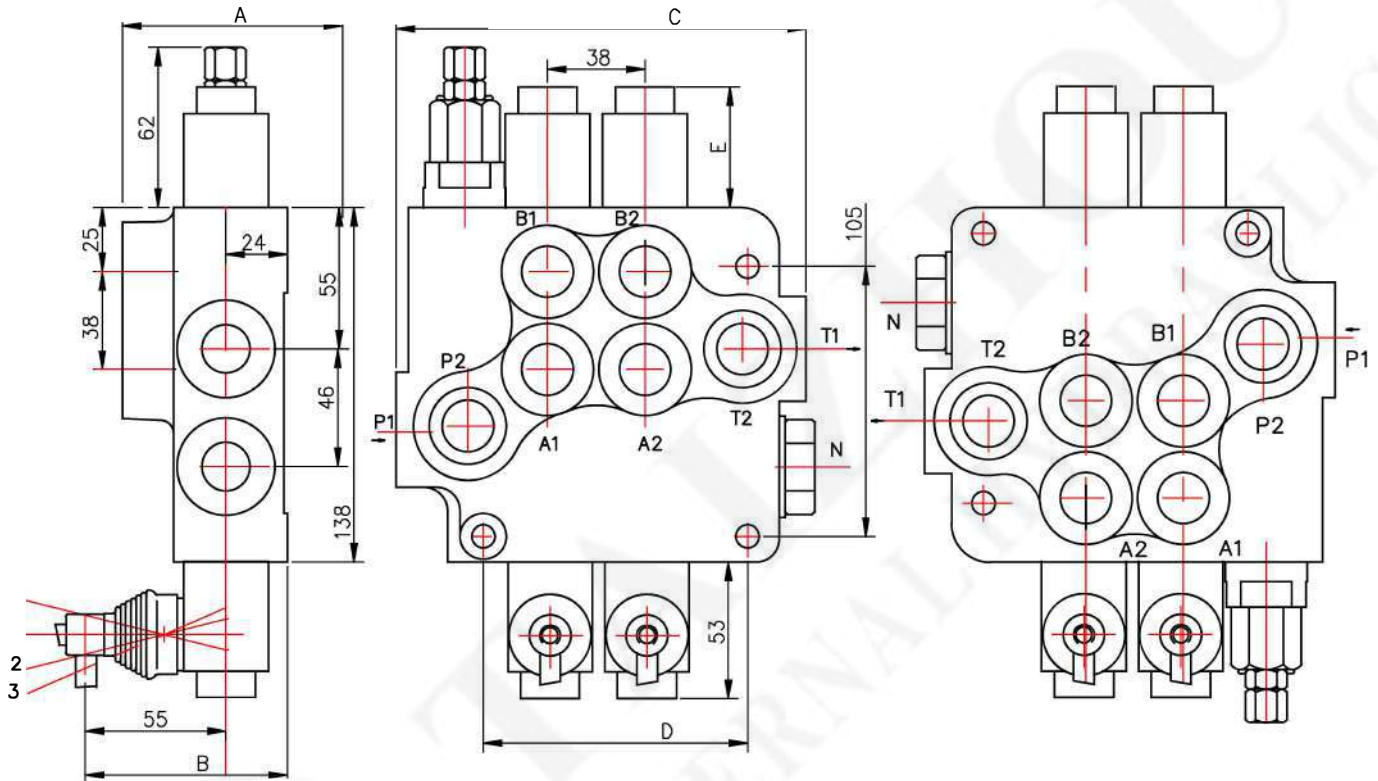
技术参数/PARAMETERS

公称压力 (MPa) Nom. Pressure	最大压力 (MPa) Max. Pressure	公称流量 (L/min) Nom. Flow rate	最大流量 (L/min) Max. Flow rate	中位背压 (MPa) Back Pressure	工作油液hydraulic oil		
					温度范围 (℃) Tem.rang	粘度范围 (mm ² /S) Visc.rang	过滤精度 (μm) filtrating accuracy
20	31.5	80	80	≤1	-20 ~ +80	10 ~ 400	≤10

P80 系列整体阀

P80 Series Monoblock Directional Control Valves

P80外形安装连接尺寸/MODEL P80 DIMENSIONAL DATA



	A	B	C	D
1P80	65	79	107	65
2P80	80	94	160	103
3P80	80	94	198	141
4P80	80	94	236	179
5P80	80	94	274	217
6P80	80	94	312	255

注：订货有特殊要求者，请与销售顾问联系。

Note: Special features not listed can often be made to your specifications. Please consult your sales representative.

P80系列电磁控整体阀

P80 Solenoid Control Valve

用途与特征/APPLICATIONS&FEATURES

P80系列电磁控整体式多路阀是我公司引进欧洲的一种中高压、电磁阀控制的整体多路阀。该阀采用并联或者串联油路，设计有压力出口与其他液压元件相连提供动力源。经过特殊设计的密封方式，使阀的密封性能卓越。该阀广泛应用于叉车、环卫车辆、小型装载机工程机械的液压系统。



P80 series valves with middle-high pressure monoblock construction is developed based on Europe technology.

◆ The monoblock directional control valves-solenoid operated, offer perfect choice whether you are designing a new system or just simply trying to get more out of your current system. With two special spools and 6 different monoblock housings these valves can meet the specific needs of your application and hydraulic schemes by their double acting in 3 positions A and D spools.

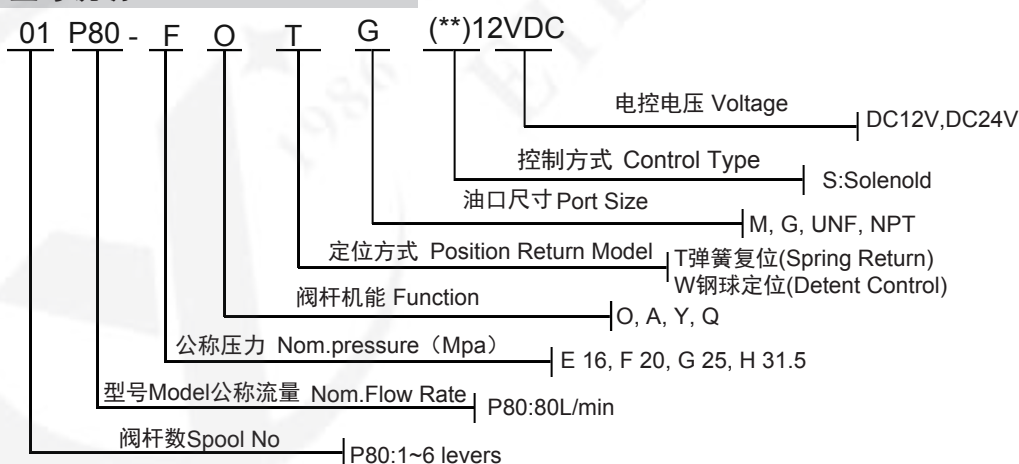
◆ Inner check valve: The check valve inside the valve body is to insure the hydraulic oil not to be returned.

◆ Inner relief valve: The relief valve inside the valve body is able to adjust the hydraulic system working pressure.

- ◆ Oil way: Parallel circuit, power beyond option
- ◆ Coils, Connector ISO4400: 12VDC, 24VDC
- ◆ Threads:P,A,B-G1/2, SAE10, T-G3/4, SAE12
- ◆ Valve construction: Monoblock construction, 1-6 levers.

Precise bore honing and spool grinding results in less cross-port leakage and less wasted energy. These precise valves also allow for interchangeable spools for easy on place maintainance.

型号说明/MODEL CODE



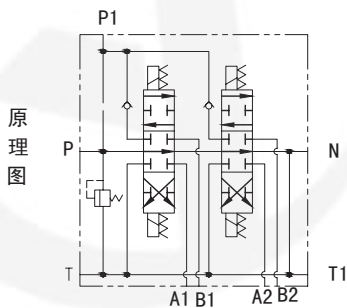
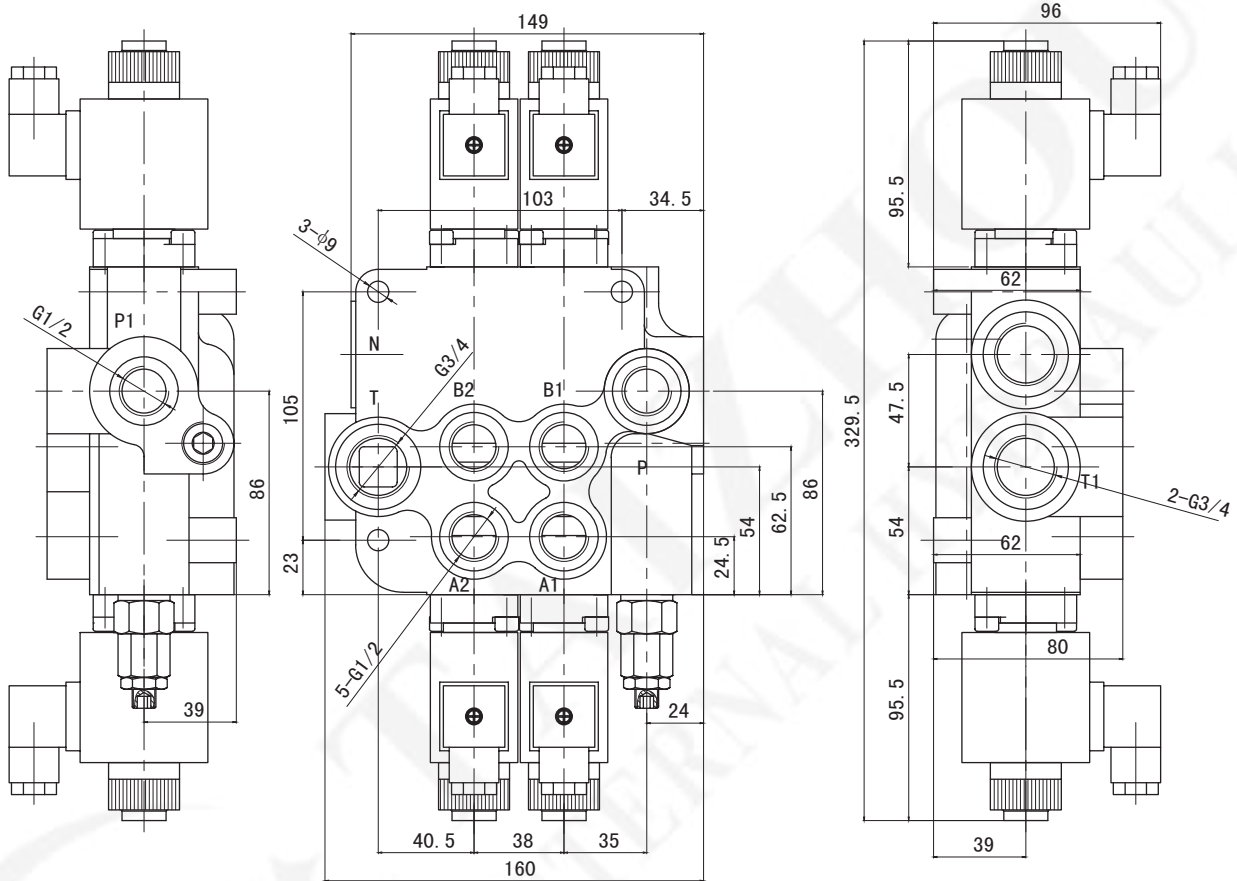
技术参数/PARAMETERS

公称压力 (MPa) Nom. Pressure	最大压力 (MPa) Max. Pressure	公称流量 (L/min) Nom. Flow rate	最大流量 (L/min) Max. Flow rate	中位背压 (MPa) Back Pressure	工作油液hydraulic oil		
					温度范围 (℃) Tem.rang	粘度范围 (mm ² /S) Visc.rang	过滤精度 (μm) filtrating accuracy
20	31	80	80	≤1	-20 ~ +80	10 ~ 400	≤10

P80系列电磁控整体阀

P80 Solenoid Control Valve

P80外形安装连接尺寸/MODELR P80 DIMENSIONAL DATA



- 技术参数:
1. 公称压力 20MPa
3. 额定流量 80L/min

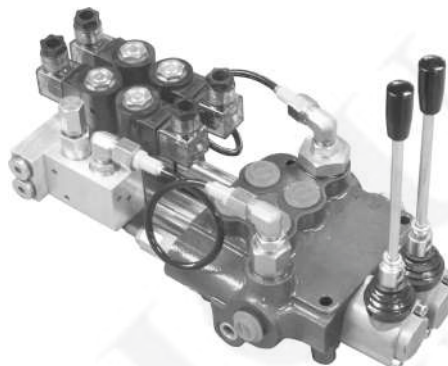
注: 订货有特殊要求者, 请与销售顾问联系。
Note: Special features not listed can often be made to your specifications. Please consult your sales representative.

P80 系列电液控多路阀

P80 Electric and Hydraulic Control Valve

用途与特征/APPLICATIONS&FEATURES

P80系列整体式多路阀是我公司引进欧洲的种中高压整体式多路阀。可按客户要求可在阀上设溢流阀、单向阀。溢流阀可调节压力，单向阀防止油液倒流。换向阀的滑阀机能有A,O,P,Y等，可任意组合，换向手柄有两种安装形式，便于不同方向的操作，该阀采用并联或者串联油路，设计有压力输出口与其他液压元件相连接提供动力源。经过特殊设计的密封方式，使阀的密封性能卓越。该阀广泛应用于叉车、环卫车辆、小型装载机等工程机械的液压系统。



P80 series valves with middle-high pressure monoblock construction is developed based on Europe technology.

- ◆ Inner check valve: The check valve inside the valve body is to insure the hydraulic oil will not be returned.

- ◆ Inner relief valve: The relief valve inside the valve body is able to adjust the hydraulic system working pressure.

- ◆ Oil way: Parallel circuit, power beyond option

- ◆ Control Way: Manual control, pneumatic control, hydraulic and electric control for optional.

- ◆ Valve construction: monoblock construction, 1-6 levers.

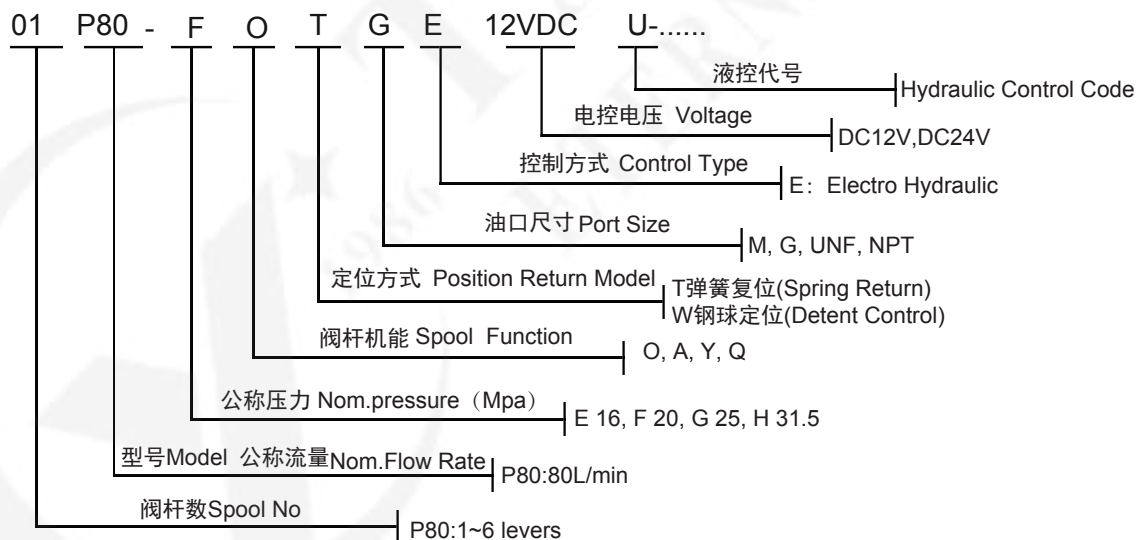
- ◆ Spool Function: O,Y, P,A.

- ◆ Option: Hydraulic lock is available to be added on A and B port.

- ◆ Available with manual, pneumatic control, electric and pneumatic control, hydraulic and electric

control and etc.

型号说明/MODEL CODE



技术参数/PARAMETERS

公称压力 (MPa) Nom. Pressure	最大压力 (MPa) Max. Pressure	公称流量 (L/min) Nom. Flow rate	最大流量 (L/min) Max. Flow rate	中位背压 (MPa) Back Pressure	工作油液hydraulic oil		
					温度范围 (℃) Tem.rang	粘度范围 (mm ² /S) Visc.rang	过滤精度 (μm) filtrating accuracy
20	31.5	80	80	≤1	-20 ~ +80	10 ~ 400	≤10

More Series of Hydraulic Directional Control Valve:

www.xjetl.com/download/directional-valve-download

S Sectional Valve

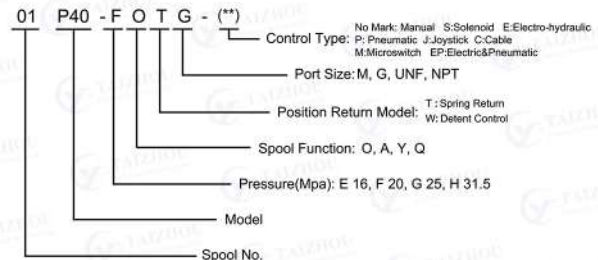
Item	Pressure (Mpa)	Flow (L/min)	Spool No.	Spool Function	Position Return Model	Port Size	Control Type
P40 Series	E16Mpa F20Mpa G25Mpa H31.5Mpa	40	1-7	O,A,Y,Q	T:Spring Return W:Detent Control	M G UNF NPT	Electro-hydraulic Pneumatic Cable Solenoid Manual Microswitch
P40 Microswitch Series	E16Mpa F20Mpa G25Mpa H31.5Mpa	40	1-7	O,A,Y,Q	T:Spring Return W:Detent Control	M G UNF NPT	
P80 Series	E16Mpa F20Mpa G25Mpa H31.5Mpa	80	1-6	O,A,Y,Q	T:Spring Return W:Detent Control	M G UNF NPT	
P120 (SD18) Series	E16Mpa F20Mpa G25Mpa H31.5Mpa	120	1-4	O,A,Y,Q	T:Spring Return W:Detent Control	M G UNF NPT	Manual
Z50 Series	E16Mpa F20Mpa G25Mpa H31.5Mpa	50	1-7	O,A,Y,Q	T:Spring Return W:Detent Control	M G UNF NPT	Solenoid
Z80 Series	E16Mpa F20Mpa G25Mpa H31.5Mpa	50	1-6	O,A,Y,Q	T:Spring Return W:Detent Control	M G UNF NPT	
ZT(ZD)-L12 Series	E16Mpa F20Mpa G25Mpa H31.5Mpa	50	1-8	O,A,Y,Q	T:Spring Return W:Detent Control	M G UNF NPT	Electro-hydraulic Pneumatic Cable Manual Microswitch
ZT(ZD)-L15 Series	E16Mpa F20Mpa G25Mpa H31.5Mpa	60	1-3	O,A,Y,Q	T:Spring Return W:Detent Control	M G UNF NPT	
ZDa-L15 Series	E16Mpa F20Mpa G25Mpa H31.5Mpa	60	1-10	O,A,Y,Q	T:Spring Return W:Detent Control	M G UNF NPT	
ZT(ZD)-L20 Series	E16Mpa F20Mpa G25Mpa H31.5Mpa	100	1-4	O,A,Y,Q	T:Spring Return W:Detent Control	M G UNF NPT	Pneumatic Manual
ZT(ZD)-L102 (ZT-L10) Series	E16Mpa F20Mpa G25Mpa H31.5Mpa	40	1-6	O,A,Y,Q	T:Spring Return W:Detent Control	M G UNF NPT	Manual

Item	Pressure (Mpa)	Flow (L/min)	Spool No.	Spool Function	Position Return Model	Port Size	Control Type
SD4 Series	E16Mpa F20Mpa G25Mpa H31.5Mpa	40	1	O,A,Y,Q	T:Spring Return W:Detent Control	M G UNF NPT	Manual
SD5 Series	E16Mpa F20Mpa G25Mpa H31.5Mpa	45	1-6	O,A,Y,Q	T:Spring Return W:Detent Control	M G UNF NPT	Electro-hydraulic Pneumatic Solenoid Manual
SD11 Series	E16Mpa F20Mpa G25Mpa H31.5Mpa	70	1-4	O,A,Y,Q	T:Spring Return W:Detent Control	M G UNF NPT	Manual
SD14 Series	E16Mpa F20Mpa G25Mpa H31.5Mpa	110	1	O,A,Y,Q	T:Spring Return W:Detent Control	M G UNF NPT	
SD8 Series	E16Mpa F20Mpa G25Mpa H31.5Mpa	70	1-10	O,A,Y,Q	T:Spring Return W:Detent Control	M G UNF NPT	Electro-hydraulic Pneumatic Solenoid Manual
SD180 Series	E16Mpa F20Mpa G25Mpa H31.5Mpa	160	1-10	O,A,Y,Q	T:Spring Return W:Detent Control	M G UNF NPT	Pilot Control Pneumatic Manual
SD25 Series	E16Mpa F20Mpa G25Mpa H31.5Mpa	240	1-12	O,A,Y,Q	T:Spring Return W:Detent Control	M G UNF NPT	Manual
DCV40 Series	E16Mpa F20Mpa G25Mpa H31.5Mpa	40	1-8	O,A,Y,Q	T:Spring Return W:Detent Control	M G UNF NPT	Electro-hydraulic Pneumatic Cable Manual Microswitch
DCV80 Series	E16Mpa F20Mpa G25Mpa H31.5Mpa	100	1-4	O,A,Y,Q	T:Spring Return W:Detent Control	M G UNF NPT	Pneumatic Manual
DCV60 Series	E16Mpa F20Mpa G25Mpa H31.5Mpa	50	1-12	O,A,Y,Q	T:Spring Return W:Detent Control	M G UNF NPT	Electro-hydraulic Pneumatic Manual
DCV100 Series	E16Mpa F20Mpa G25Mpa H31.5Mpa	90	1-14	O,A,Y,Q	T:Spring Return W:Detent Control	M G UNF NPT	

Item	Pressure (Mpa)	Flow (L/min)	Spool No.	Spool Function	Position Return Model	Port Size	Control Type
DCV140 Series	E16Mpa F20Mpa G25Mpa H31.5Mpa	130	1-14	O,A,Y,Q	T:Spring Return W:Detent Control	M G UNF NPT	Electro-hydraulic Pneumatic Manual
DCV200 Series	E16Mpa F20Mpa G25Mpa H31.5Mpa	180	1-14	O,A,Y,Q	T:Spring Return W:Detent Control	M G UNF NPT	Manual
ZS-L10 Series	E16Mpa F20Mpa G25Mpa H31.5Mpa	40	1-18	O,A,Y,Q	T:Spring Return W:Detent Control	M G UNF NPT	Manual
ZS-L20 Series	E16Mpa F20Mpa G25Mpa H31.5Mpa	100	1-15	O,A,Y,Q	T:Spring Return W:Detent Control	M G UNF NPT	
ZS-L25 Series	E16Mpa F20Mpa G25Mpa H31.5Mpa	160	1-12	O,A,Y,Q	T:Spring Return W:Detent Control	M G UNF NPT	
MB2 Series	E16Mpa F20Mpa G25Mpa H31.5Mpa	40	1	O,A,Y,Q	T:Spring Return W:Detent Control	M G UNF NPT	Manual
MB3 Series	E16Mpa F20Mpa G25Mpa H31.5Mpa	45	1-6	O,A,Y,Q	T:Spring Return W:Detent Control	M G UNF NPT	Electro-hydraulic Manual Pneumatic Hydraulic
MB5 Series	E16Mpa F20Mpa G25Mpa H31.5Mpa	70	1-6	O,A,Y,Q	T:Spring Return W:Detent Control	M G UNF NPT	Manual
RD5100/ RD5200/ RD5300 Series	E16Mpa F20Mpa G25Mpa H31.5Mpa	120	1-3	O,A,Y,Q	T:Spring Return W:Detent Control	M G UNF NPT	Manual
SVV90 Series	E16Mpa F20Mpa G25Mpa H31.5Mpa	90	1	O,A,Y,Q	T:Spring Return W:Detent Control	M G UNF NPT	Solenoid
LVA Series	E16Mpa F20Mpa G25Mpa H31.5Mpa	95	1	O,A,Y,Q	T:Spring Return W:Detent Control	M G UNF NPT	Manual

Item	Pressure (Mpa)	Flow (L/min)	Spool No.	Spool Function	Position Return Model	Port Size	Control Type
JYPM100 Series	E16Mpa F20Mpa G25Mpa H31.5Mpa	115	1	O,A,Y,Q	T:Spring Return W:Detent Control	M G UNF NPT	Manual
LKF Series	E16Mpa F20Mpa G25Mpa H31.5Mpa	30/ 60/ 114		O,A,Y,Q	T:Spring Return W:Detent Control	M G UNF NPT	

Mode Code



Spool Function Symbols



O Spool Function



Y Spool Function



A Spool Function



Q Spool Function

Port Size

Flow	M	G	UNF	NPT
≤60L	M18x1.5	G 3/8"	3/4-16 UNF	NPT 3/8"
60-80L	M22x1.5	G 1/2"	7/8-14 UNF	NPT 1/2"
100-140L	M27x2	G 3/4"	1-1/8-12 UNF	NPT 3/4"
140-160L	M33x2	G 1"	1-1/8-12 UNF	NPT 1"
160-240L	M42x2	G 1-1/2"	1-3/8-12 UNF	NPT 1-1/2"

If you need special dimension port size, please consult to our Engineer.