

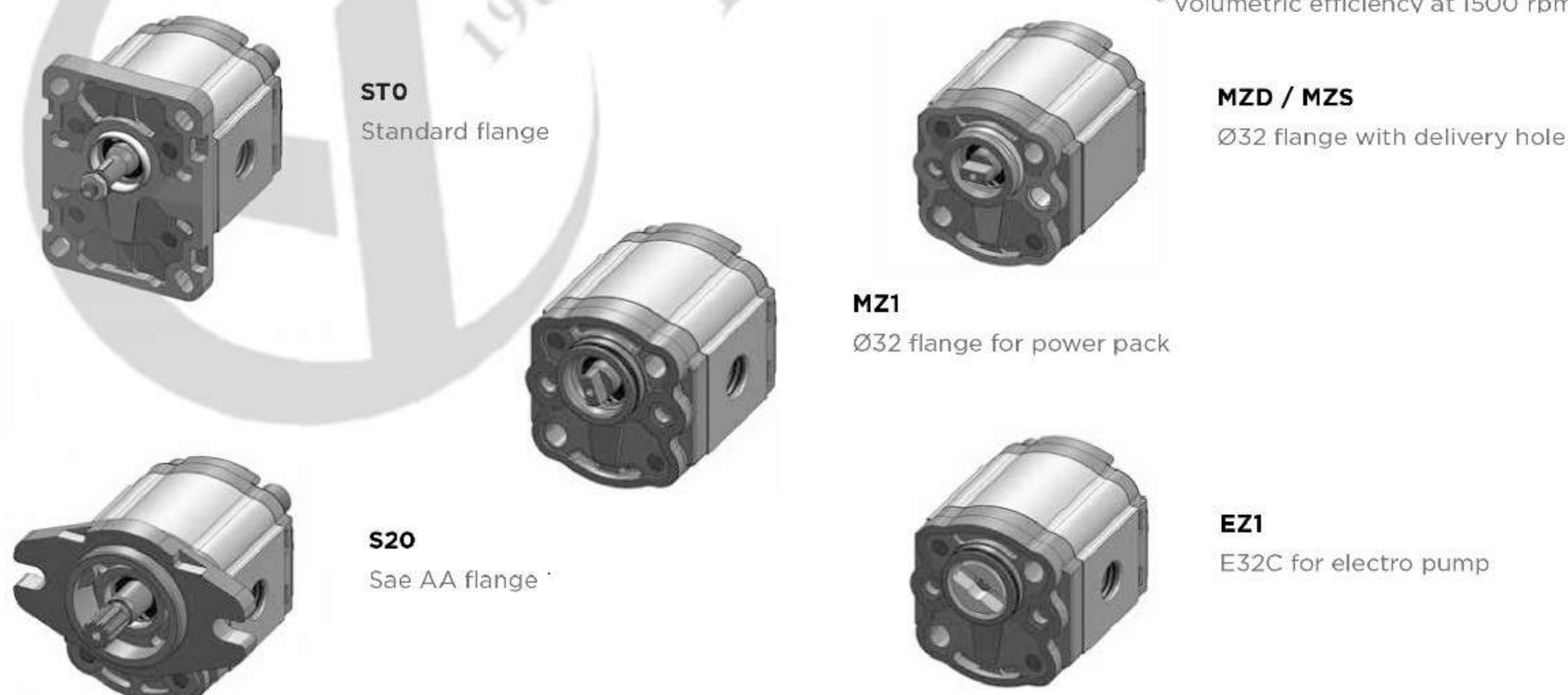
型号说明 Model Code

①	EG1	CODE												
②	A	FLANGE AND COVER	A	Aluminium										
③	09	DISPLACEMENT	09	13	16	21	25	31	38	43	50	62	78	99
			0.95	1.26	1.64	2.05	2.56	3.15	3.80	4.28	4.97	6.21	7.80	9.85
④	ST0	FLANGE	ST0	S20		MZI		MZD&MZS			EZ1			
⑤	T80	SHAFT	T80	P30	S90	T50	F50	D60	T50	F50	D60	E50		
⑥	EE4	CONNECTION	EEx	TT4	GG4	UUx								
⑦	D	ROTATION	D	Clockwise rotation										
			S	Anticlockwise rotation										
⑧	0	STANDARD COVER	0	Standard										
⑨	0	SEALS	0	Nbr seals										
			V	Viton® seals										

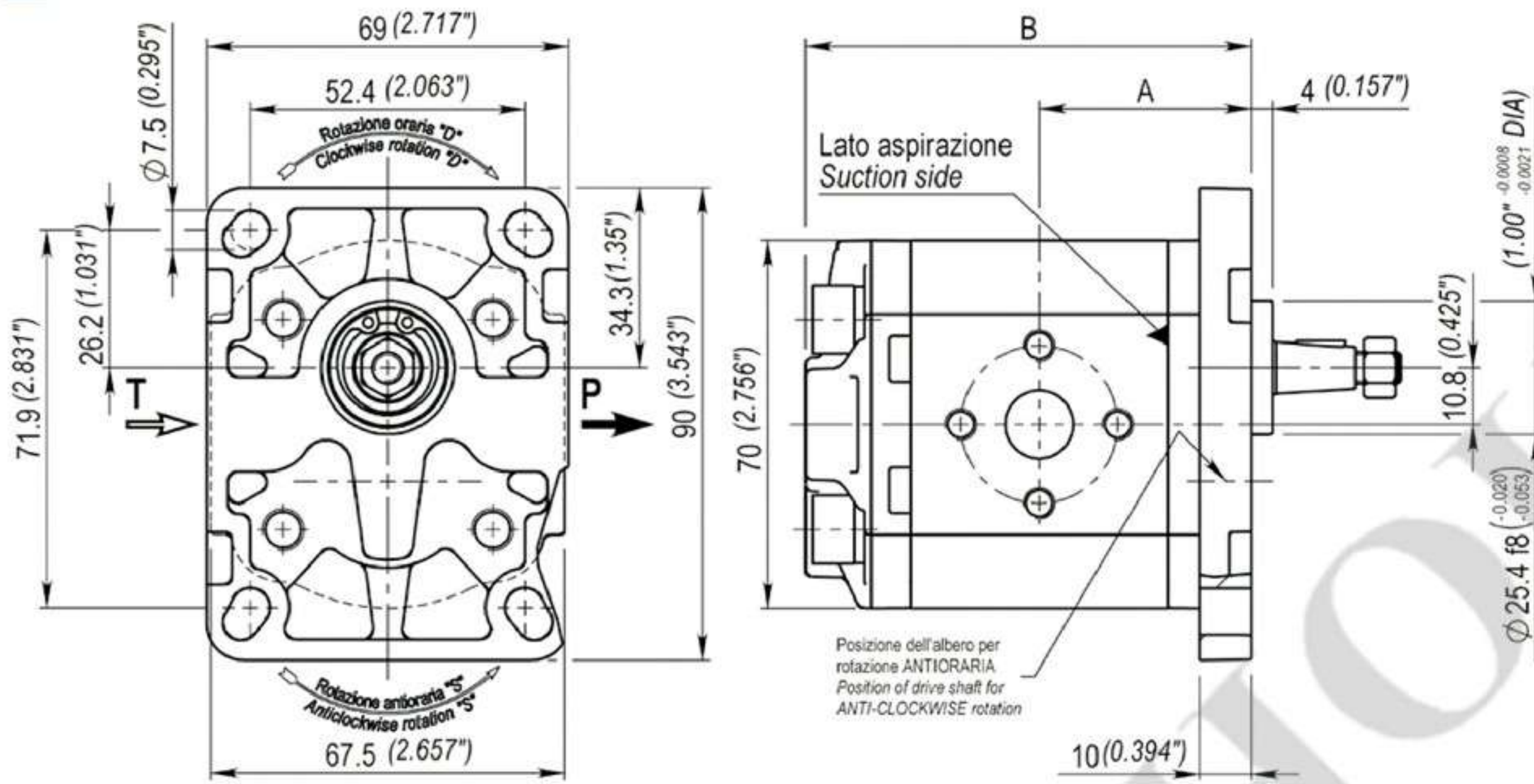
性能参数 Specification

Size	Displacement (in ³ /rev)	Max speed rpm	Max flow (gpm)	Min speed rpm	Min flow (gpm)	Min Volum. Effic.* %
EG1-09	0.95 (0.058)	6000	5.7 (1.50)	600	0.5 (0.14)	90
EG1-13	1.26 (0.077)	6000	7.5 (1.99)	600	0.7 (0.18)	92
EG1-16	1.64 (0.100)	6000	9.8 (2.60)	400	0.6 (0.16)	95
EG1-21	2.05 (0.125)	5500	11.3 (2.98)	400	0.8 (0.21)	95
EG1-25	2.56 (0.156)	5500	14.1 (3.72)	400	1 (0.26)	95
EG1-31	3.15 (0.192)	4500	14.2 (3.75)	400	1.2 (0.32)	95
EG1-38	3.80 (0.232)	4000	15.2 (4.01)	400	1.4 (0.38)	95
EG1-43	4.28 (0.261)	3500	15 (3.96)	400	1.6 (0.43)	95
EG1-50	4.97 (0.303)	3000	14.9 (3.94)	400	1.9 (0.50)	95
EG1-62	6.21 (0.379)	2700	16.8 (4.43)	400	2.4 (0.62)	95
EG1-78	7.80 (0.476)	2500	19.5 (5.15)	400	3.0 (0.78)	95
EG1-99	9.85 (0.601)	2000	19.7 (5.20)	400	3.7 (0.99)	95

* Volumetric efficiency at 1500 rpm

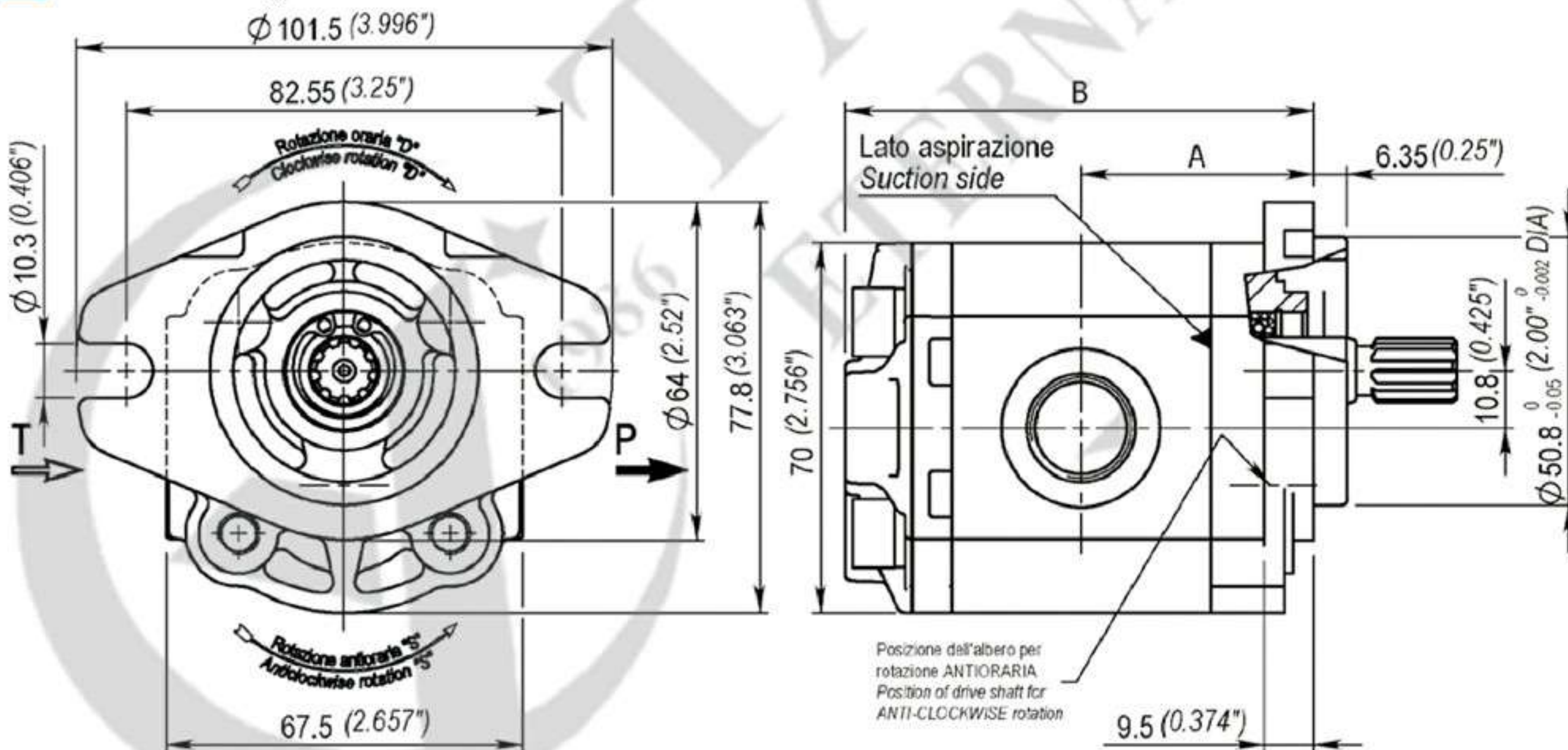


Standard Flange ST0



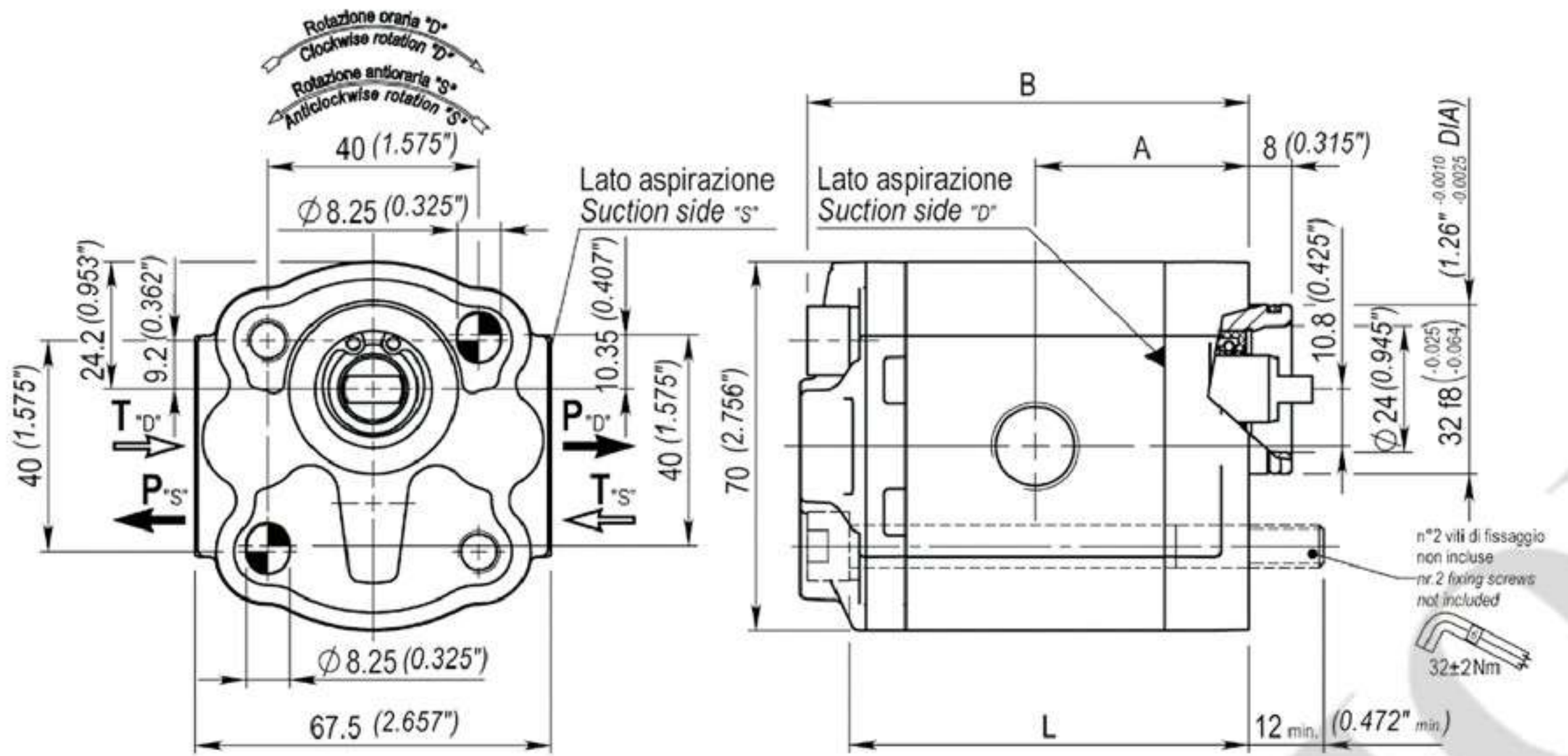
Size	EG1-09	EG1-13	EG1-16	EG1-21	EG1-25	EG1-31	EG1-38	EG1-43	EG1-50	EG1-62	EG1-78	EG1-99	
Dimension	A mm(in)	35 (1.38)	35.6 (1.40)	36.4 (1.43)	37.2 (1.46)	38.2 (1.50)	39.3 (1.55)	40.6 (1.60)	41.5 (1.63)	42.9 (1.69)	45.3 (1.78)	48.4 (1.91)	52.4 (2.06)
	B mm(in)	74.4 (2.93)	75.2 (2.96)	76.7 (3.02)	78.3 (3.08)	80.3 (3.16)	82.6 (3.25)	85.1 (3.35)	87 (3.43)	90.1 (3.55)	94.9 (3.74)	100.7 (3.96)	109.1 (4.30)
Weight(kg)	0.887	0.893	0.909	0.93	0.964	0.992	1.033	1.055	1.108	1.177	1.251	1.379	

SAE AA Flange S20



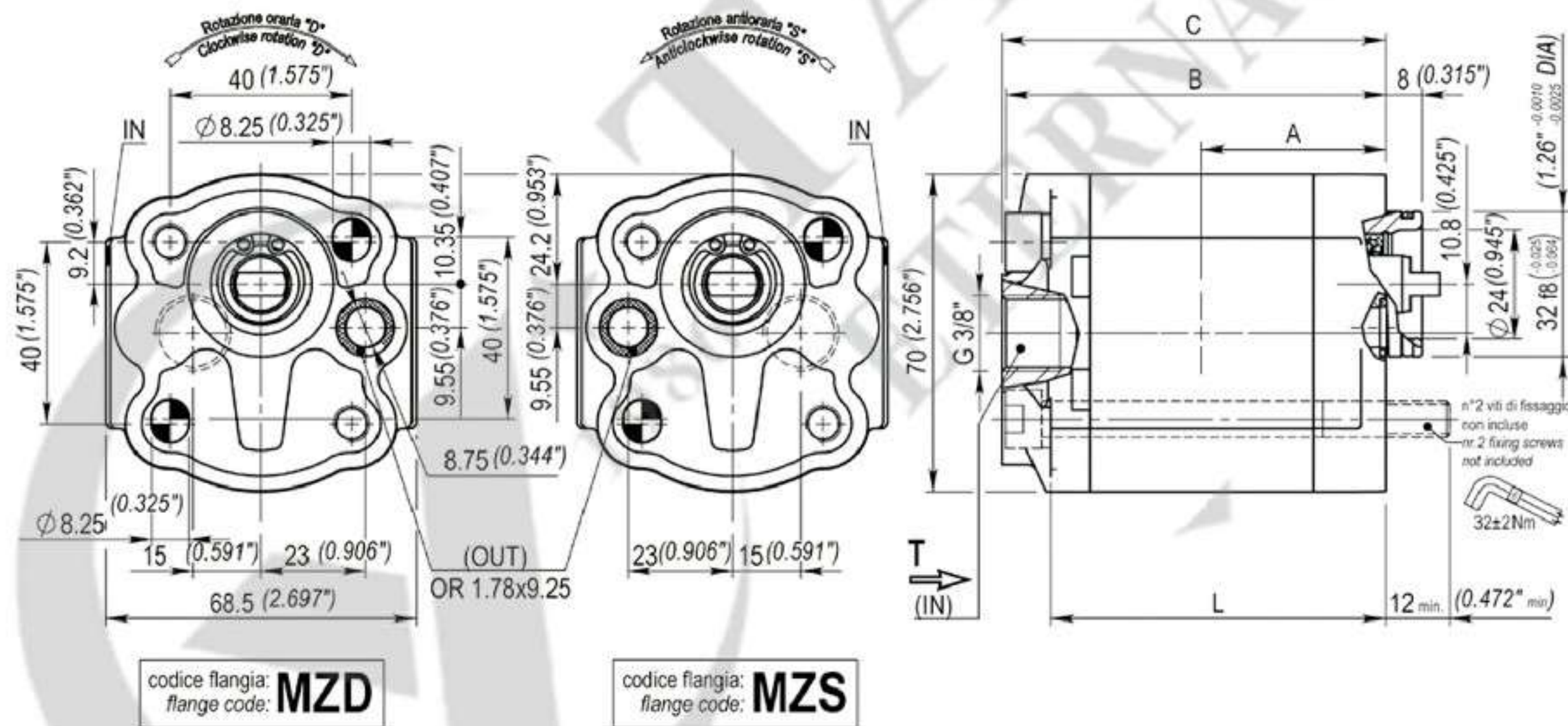
Size	EG1-09	EG1-13	EG1-16	EG1-21	EG1-25	EG1-31	EG1-38	EG1-43	EG1-50	EG1-62	EG1-78	EG1-99	
Dimension	A mm(in)	38.5 (1.516)	39.1 (1.539)	39.9 (1.569)	40.7 (1.600)	41.7 (1.640)	42.8 (1.685)	44.1 (1.734)	45.0 (1.772)	46.4 (1.825)	48.8 (1.919)	51.9 (2.041)	55.9 (2.199)
	B mm(in)	77.9 (3.065)	78.7 (3.098)	80.2 (3.157)	81.8 (3.220)	83.8 (3.299)	86.1 (3.390)	88.6 (3.488)	90.5 (3.563)	93.6 (3.683)	98.4 (3.872)	104.2 (4.102)	112.6 (4.431)
Weight(kg)	0.912	0.915	1.012	0.945	0.981	1.008	1.05	1.081	1.124	1.193	1.28	1.396	

ø32 Flange For Power Pack MZI



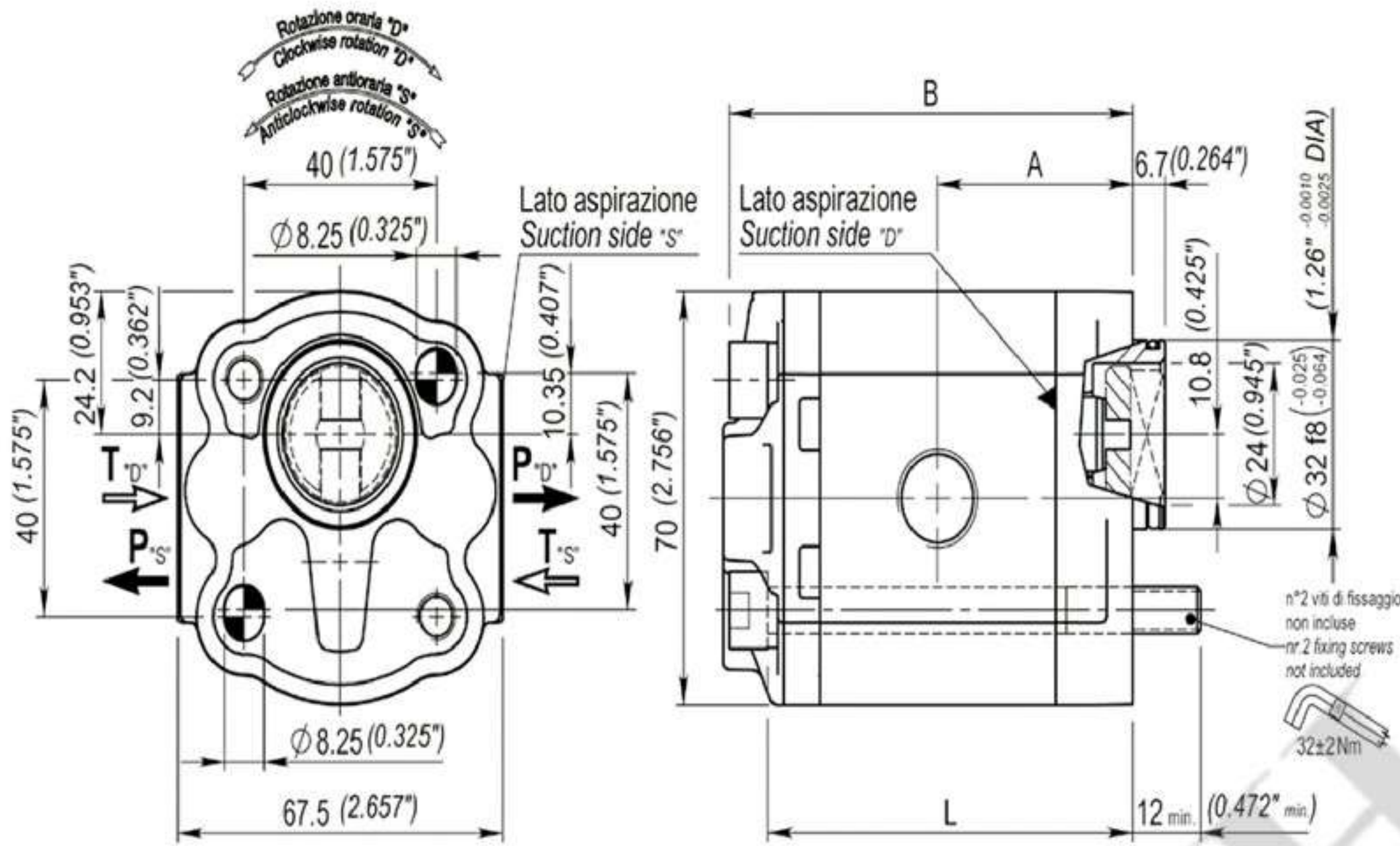
Size		EG1-09	EG1-13	EG1-16	EG1-21	EG1-25	EG1-31	EG1-38	EG1-43	EG1-50	EG1-62	EG1-78	EG1-99
Dimension	A	35	35.6	36.4	37.2	38.2	39.3	40.6	41.5	42.9	45.3	48.4	52.4
	mm(in)	(1.38)	(1.40)	(1.43)	(1.46)	(1.50)	(1.55)	(1.60)	(1.63)	(1.69)	(1.78)	(1.91)	(2.06)
	B	74.4	75.2	76.7	78.3	80.3	82.6	85.1	87	90.1	94.9	100.7	109.1
mm(in)	(2.93)	(2.96)	(3.02)	(3.08)	(3.16)	(3.25)	(3.35)	(3.43)	(3.55)	(3.74)	(3.96)	(4.30)	
L	62.8	64	65.5	67.1	69.1	71.4	73.9	75.8	78.5	83.3	89.5	97.5	
mm(in)	(2.47)	(2.52)	(2.58)	(2.64)	(2.72)	(2.81)	(2.91)	(2.98)	(3.09)	(3.28)	(3.52)	(3.84)	
Weight(kg)		0.781	0.806	0.823	0.844	0.875	0.903	0.94	0.963	1.007	1.072	1.147	1.266

ø32 Flange With Delivery Hole MZD/MZS



Size		EG1-09	EG1-13	EG1-16	EG1-21	EG1-25	EG1-31	EG1-38	EG1-43	EG1-50	EG1-62	EG1-78	EG1-99
Dimension	A	35	35.6	36.4	37.2	38.2	39.3	40.6	41.5	42.9	45.3	48.4	52.4
	mm(in)	(1.38)	(1.40)	(1.43)	(1.46)	(1.50)	(1.55)	(1.60)	(1.63)	(1.69)	(1.78)	(1.91)	(2.06)
	B	74.4	75.2	76.7	78.3	80.3	82.6	85.1	87	90.1	94.9	100.7	109.1
	mm(in)	(2.93)	(2.96)	(3.02)	(3.08)	(3.16)	(3.25)	(3.35)	(3.43)	(3.55)	(3.74)	(3.96)	(4.30)
C	73.5	74.7	76.2	77.8	79.8	82.1	84.6	86.5	89.2	94	100.2	108.2	
mm(in)	(2.89)	(2.94)	(3.00)	(3.06)	(3.14)	(3.23)	(3.33)	(3.41)	(3.51)	(3.70)	(3.94)	(4.26)	
L	62.8	64	65.5	67.1	69.1	71.4	73.9	75.8	78.5	83.3	89.5	97.5	
mm(in)	(2.47)	(2.52)	(2.58)	(2.64)	(2.72)	(2.81)	(2.91)	(2.98)	(3.09)	(3.28)	(3.52)	(3.84)	
Weight(kg)		0.781	0.806	0.823	0.844	0.875	0.903	0.94	0.963	1.007	1.072	1.147	1.266

Flange E32C For Electro Pump EZ1

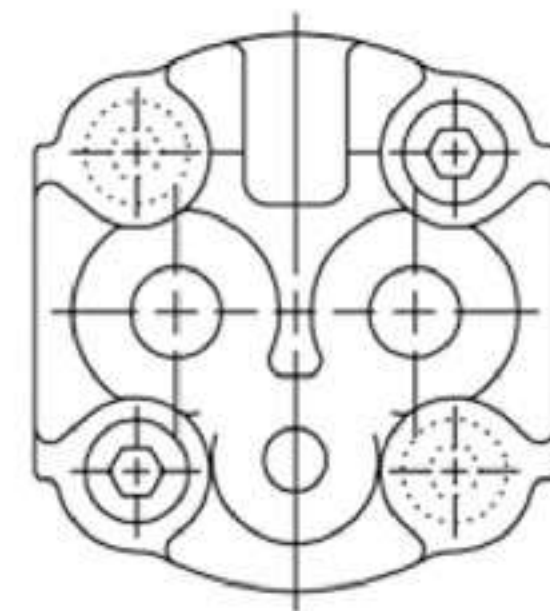


Size	EG1-09	EG1-13	EG1-16	EG1-21	EG1-25	EG1-31	EG1-38	EG1-43	EG1-50	EG1-62	EG1-78	EG1-99
Dimension	A	35	35.6	36.4	37.2	38.2	39.3	40.6	41.5	42.9	45.3	52.4
	mm(in)	(1.38)	(1.40)	(1.43)	(1.46)	(1.50)	(1.55)	(1.60)	(1.63)	(1.69)	(1.78)	(2.06)
	B	74.4	75.2	76.7	78.3	80.3	82.6	85.1	87	90.1	94.9	109.1
mm(in)	(2.93)	(2.96)	(3.02)	(3.08)	(3.16)	(3.25)	(3.35)	(3.43)	(3.55)	(3.74)	(3.96)	(4.30)
L	62.8	64	65.5	67.1	69.1	71.4	73.9	75.8	78.5	83.3	89.5	97.5
mm(in)	(2.47)	(2.52)	(2.58)	(2.64)	(2.72)	(2.81)	(2.91)	(2.98)	(3.09)	(3.28)	(3.52)	(3.84)
Weight(kg)	0.784	0.771	0.789	0.809	0.84	0.867	0.904	0.927	0.971	1.035	1.113	1.227

Connections

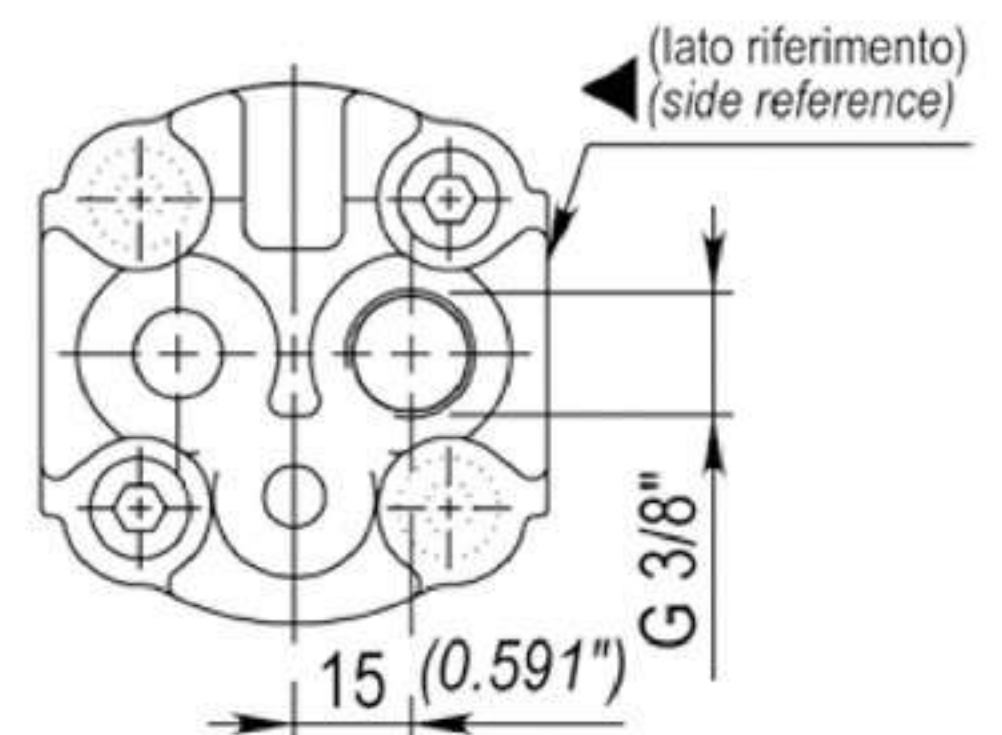
STANDARD COVER

Size	Code
09-99	0

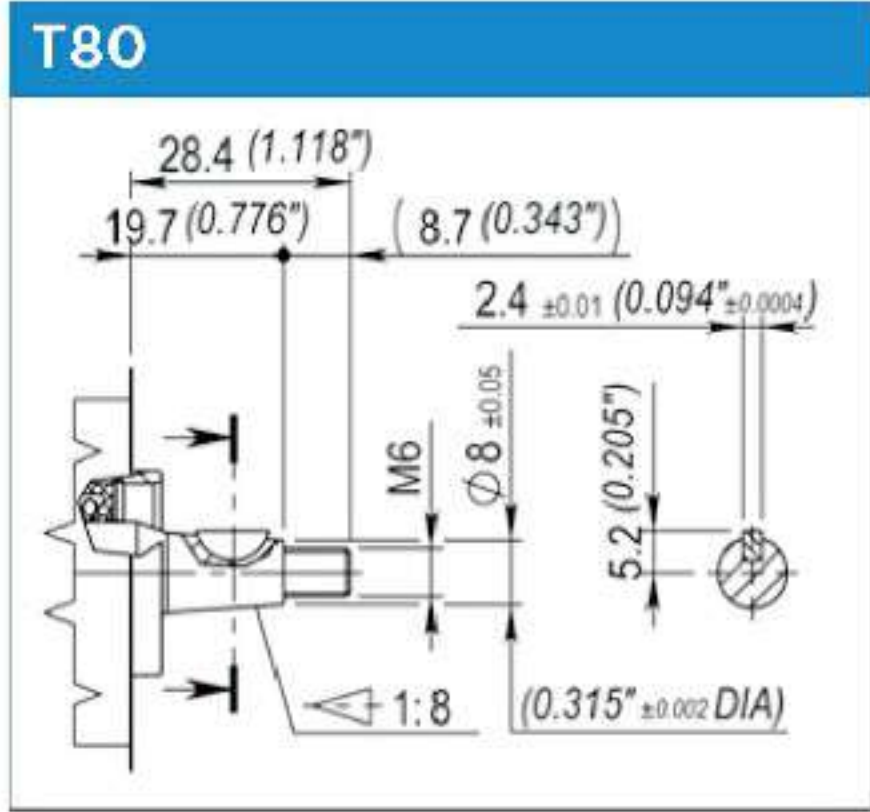


SUCTION ON THE COVER BSP THREADED

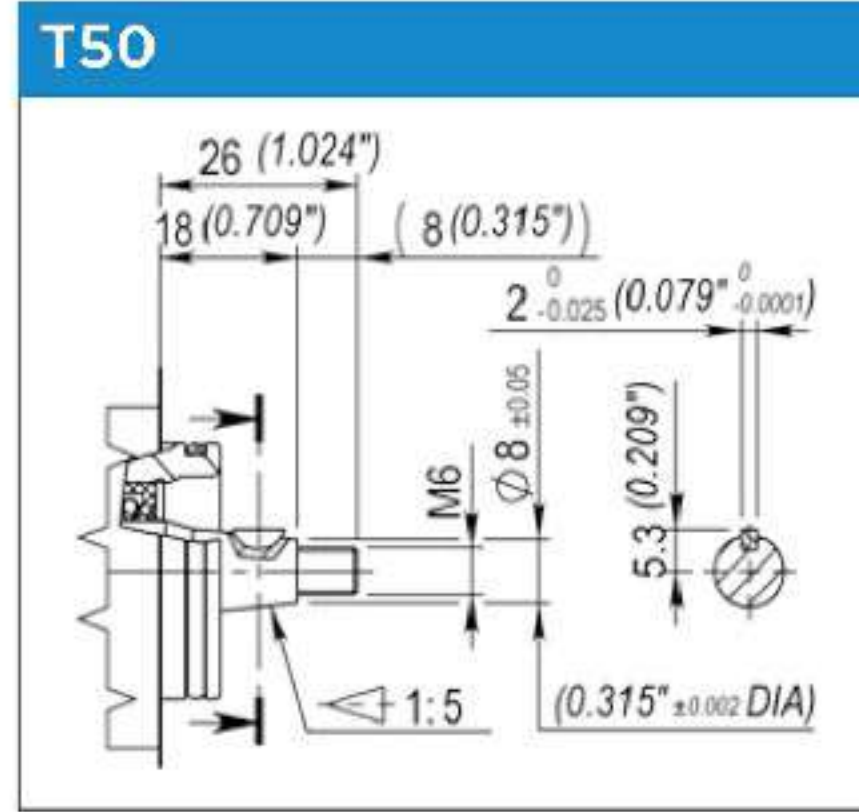
Size	Code
09-99	1



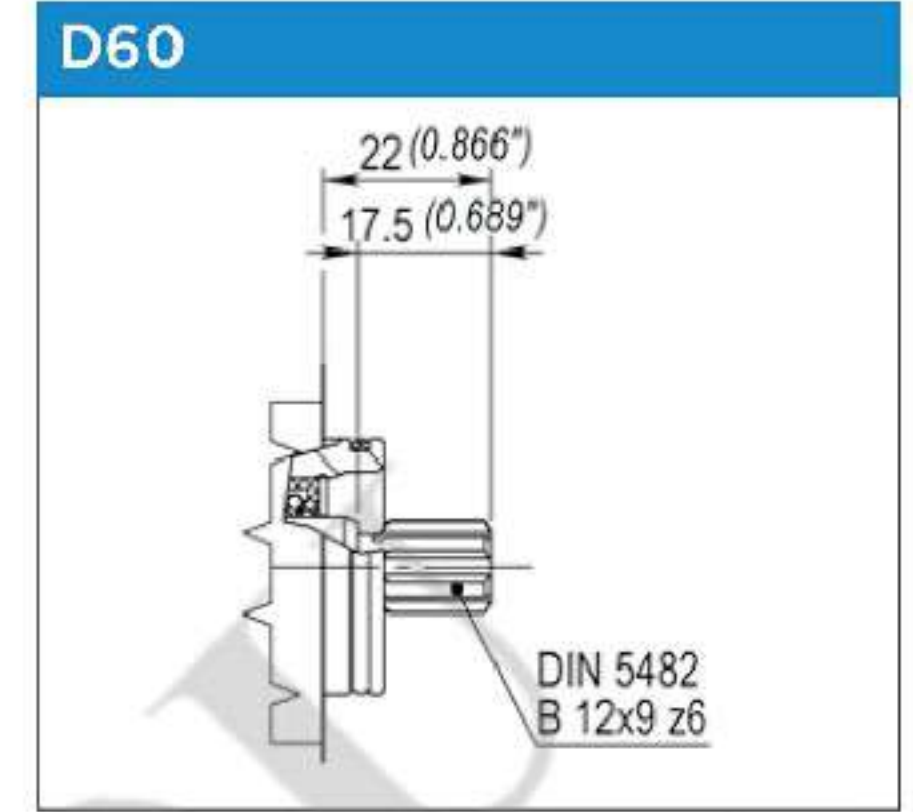
Shafts



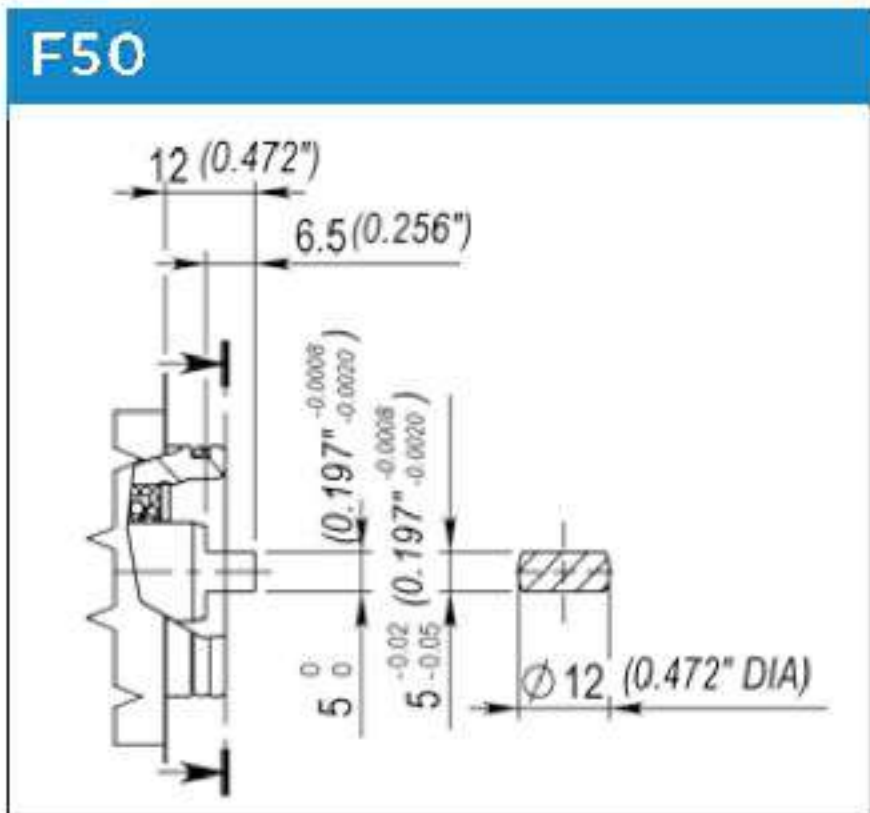
TAPER 1:8
Max torque 28 Nm



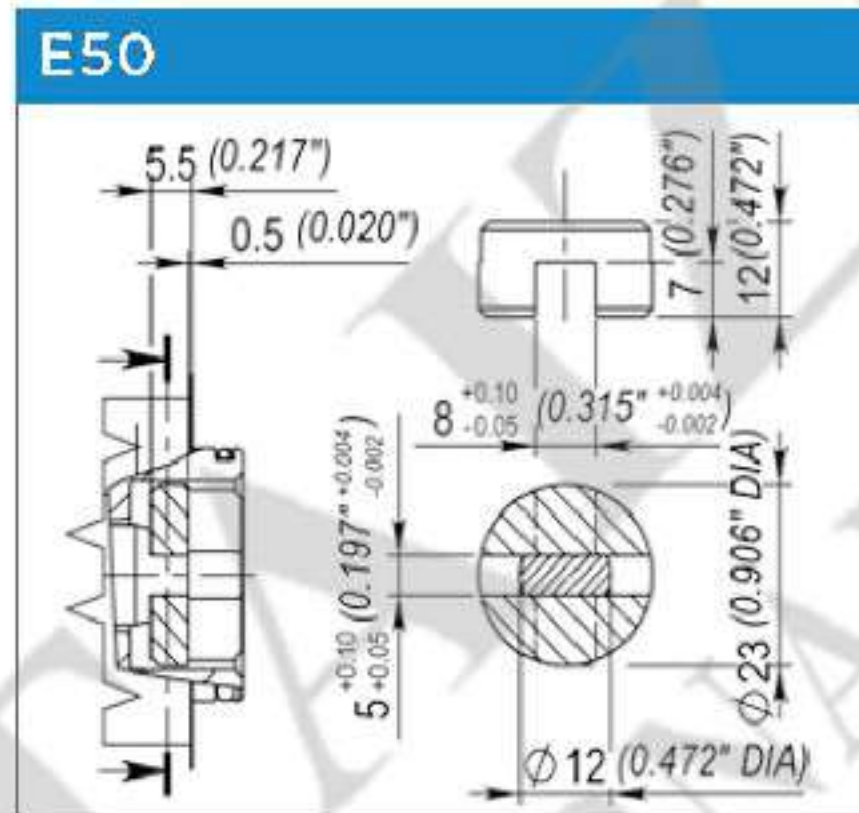
TAPER 1:5
Max torque 33 Nm



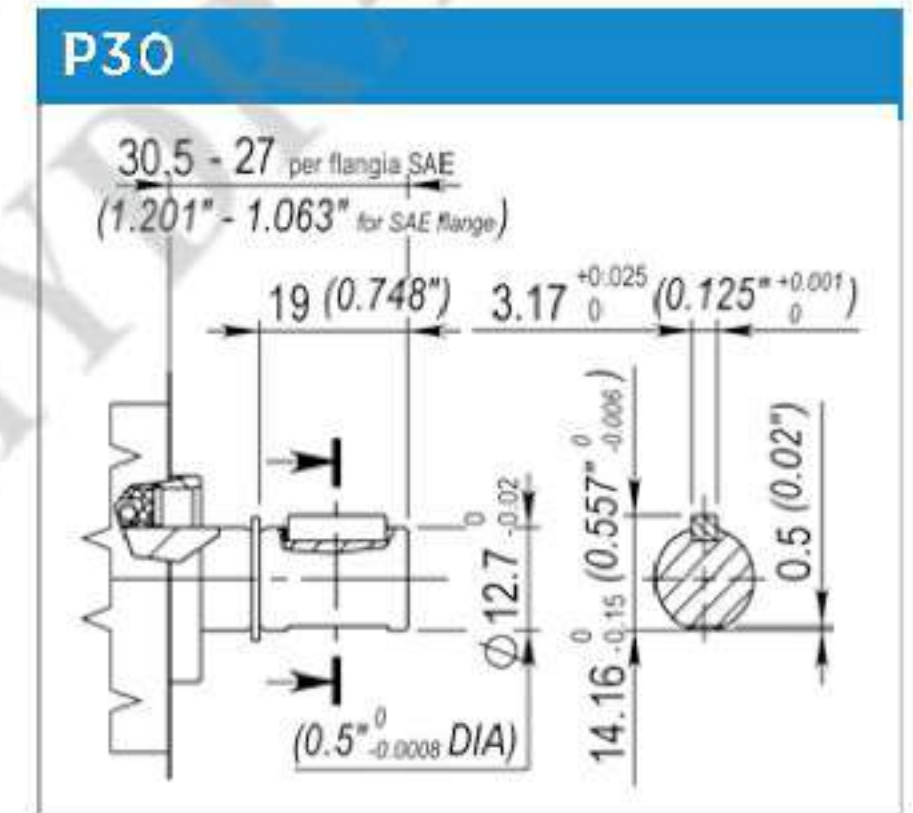
DIN Z6
Max torque 26 Nm



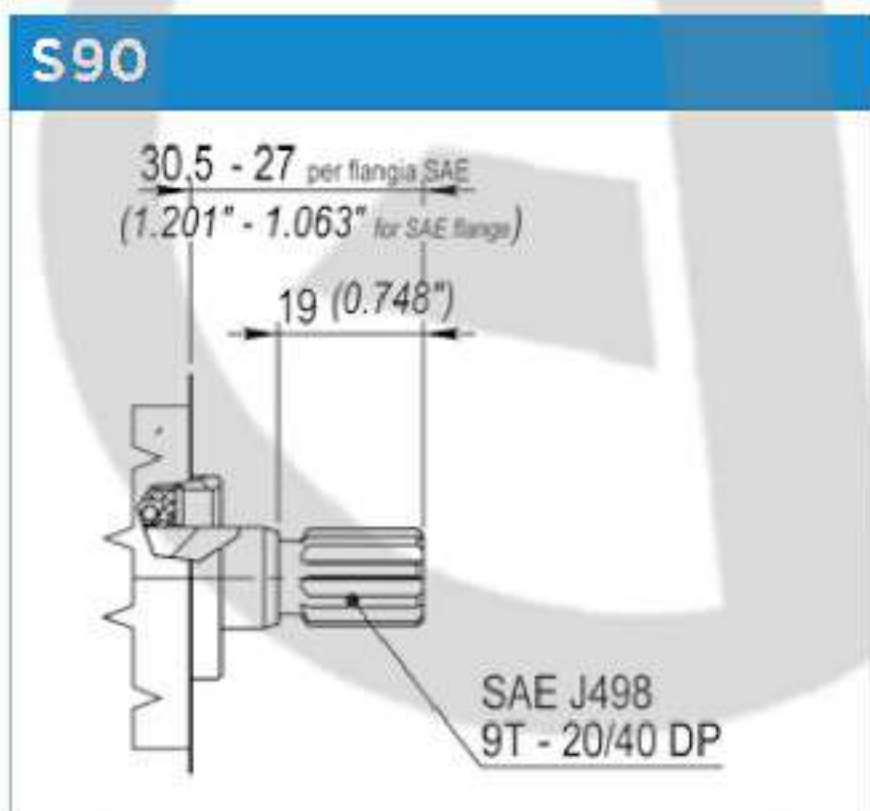
TANG DRIVE FOR POWER PACK
Max torque 20 Nm



TANG DRIVE ELECTRIC PUMP
Max torque 20 Nm



SAE CYLINDRICAL
Max torque 33 Nm



SAE SPLINED 9 TEETH
Max torque 35 Nm

When assembled with SAE AA flange (S20 code) the shaft dimensions must be reduced by 0.1378 In. (3.5 mm)

Port Dimension

EUROPEAN STANDARD				
Size	Code	D	F	M
09-21	EE4	26 (1.023)	10 (0.393)	M5
25-99	EE6	30 (1.181)	13 (0.512)	M6

GERMAN UNIFICATION	
Size	Code
09-99	TT4

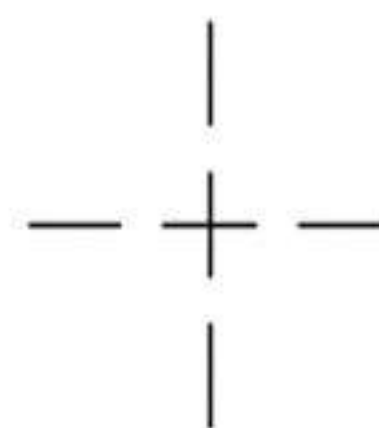
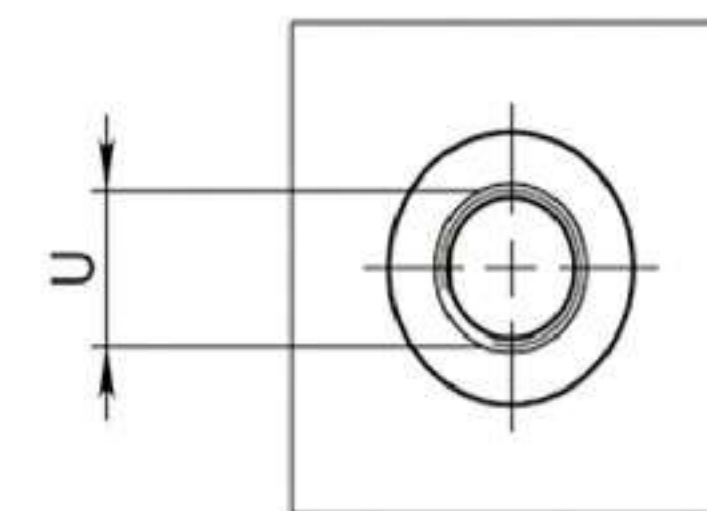
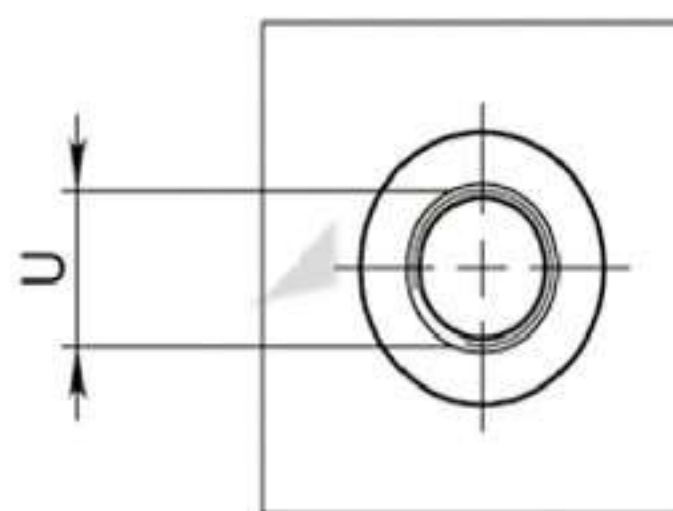
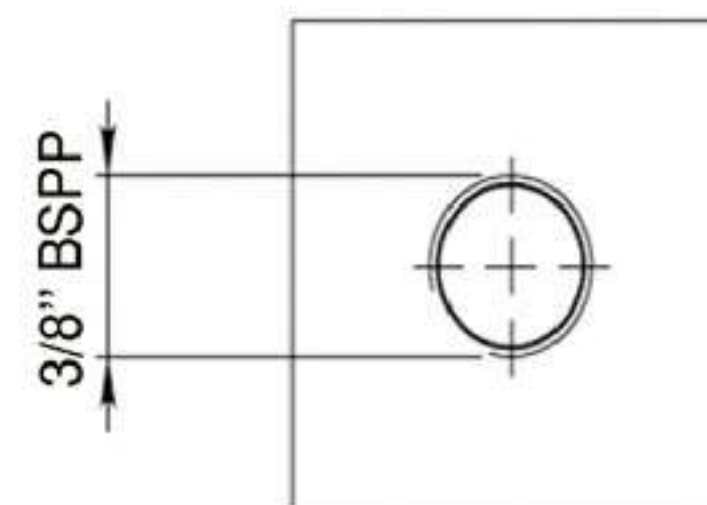
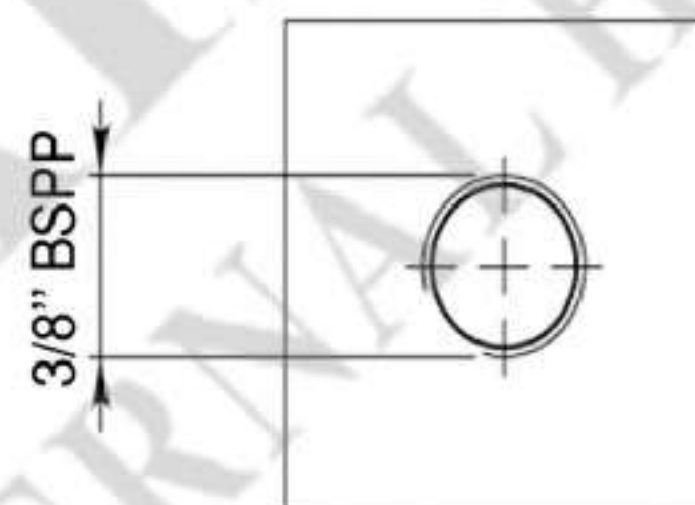
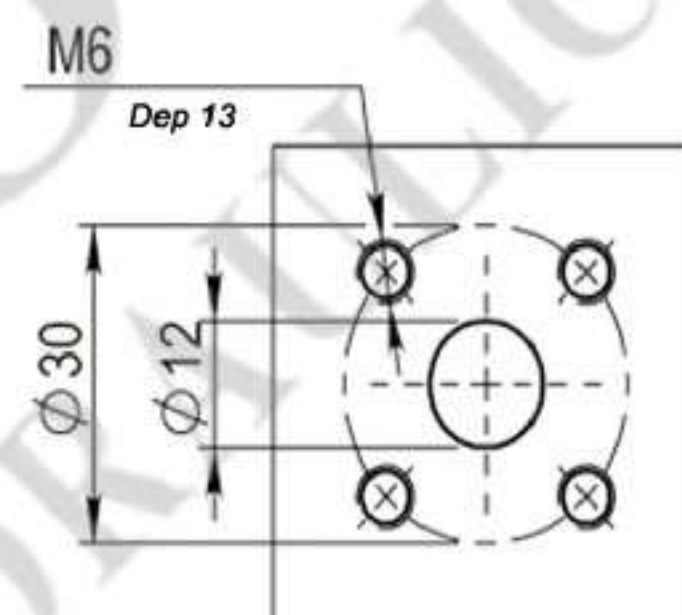
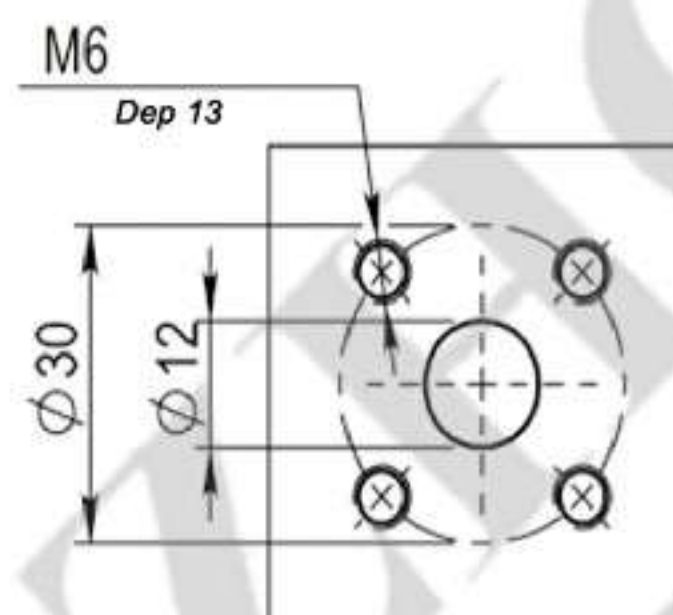
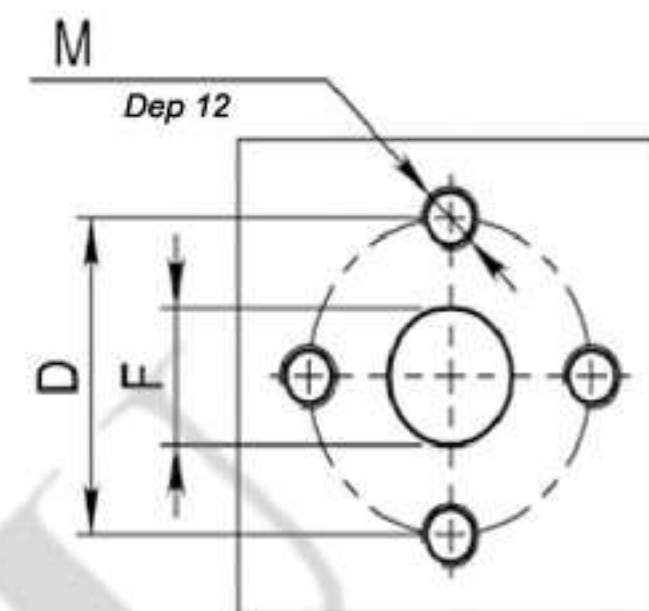
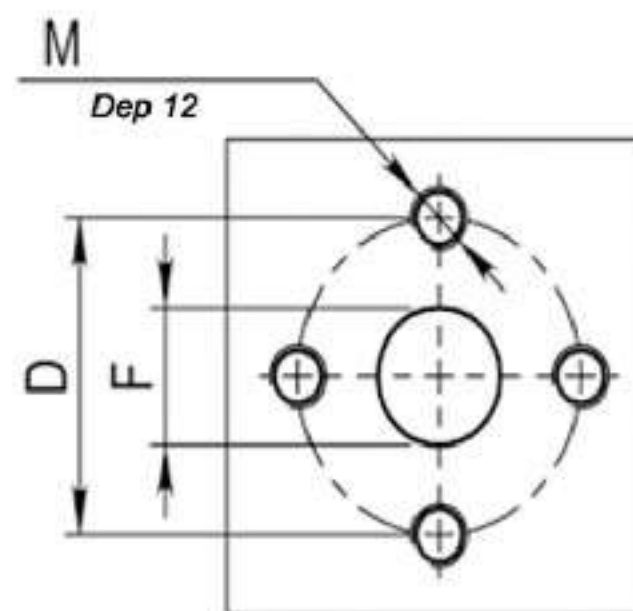
BSPP THREADS	
Size	Code
09-99	GG4

SAE THREADS		
Size	Code	D
09-21	UU4	9/16"-18 UNF
25-99	UU6	3/4"-16 UNF

NEUTRAL BODY (WITHOUT CONNECTIONS)	
Size	Code
09-99	000

Inlet Port

Outlet Port



型号说明 Model Code

①	EG2	CODE								
②	A	FLANGE AND COVER	A Aluminium G Cast iron (Heavy duty)							
③	04	DISPLACEMENT	04 4.2 06 6.2 08 8.3 11 11.1 14 14.2 17 16.7 20 19.6 23 22.7 26 26.1							
④	STO	FLANGE	STO	S20/S21	B80	BZ0/BN0	EZ1/EN1			
⑤	T80	SHAFT	T80 M50 D92	M50 P60 S90	T50 D90	T50 D90	E80			
⑥	EEX	CONNECTION	EEx TTx GGx UUX							
⑦	D	ROTATION	D Clockwise rotation S Anticlockwise rotation							
⑧	0	STANDARD COVER	0 Standard							
⑨	0	SEALS	0 Nbr seals V Viton® seals							

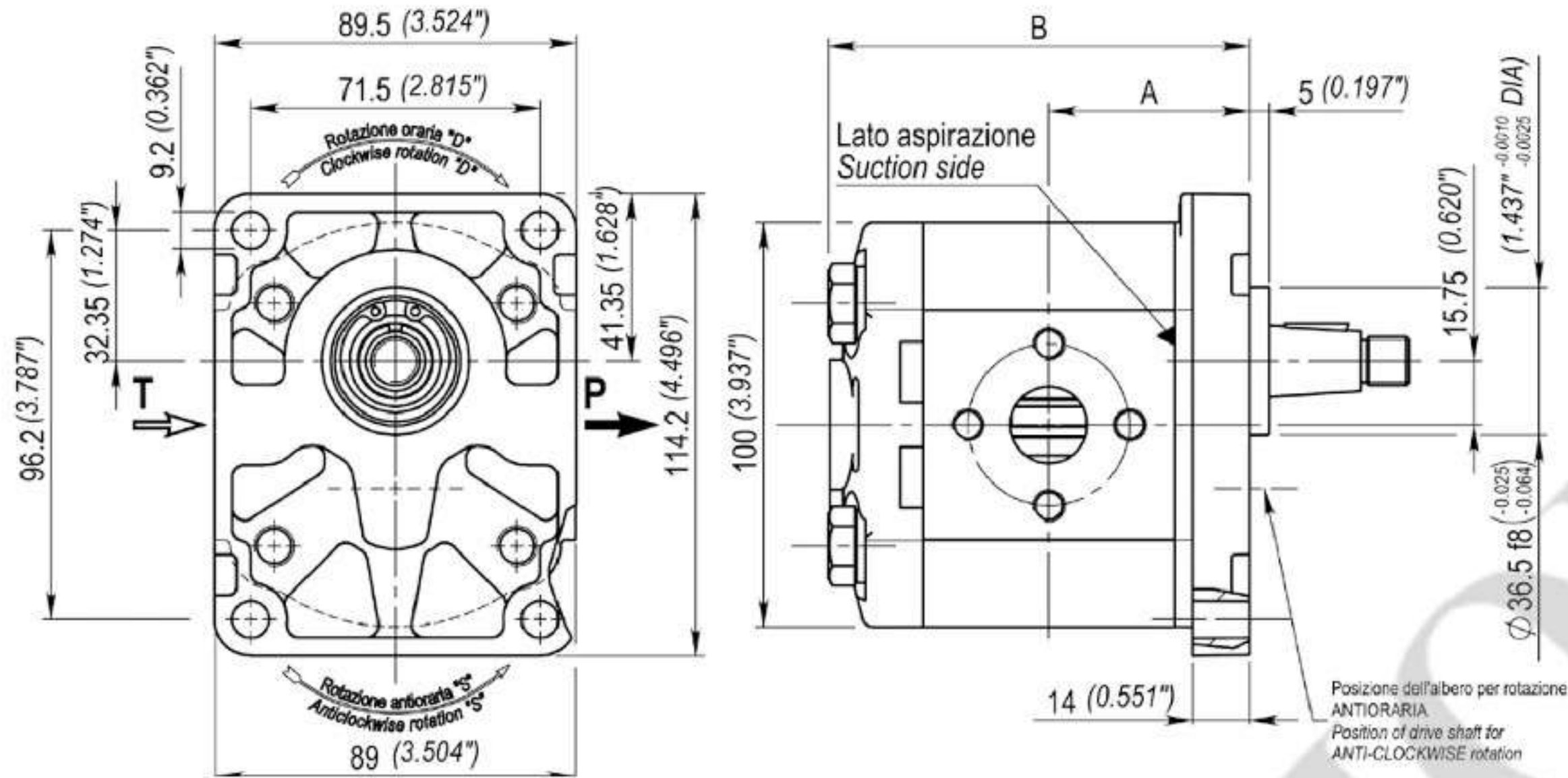
性能参数 Specification

Size	Displacement (in ³ /rev)	Max speed rpm	Max flow (gpm)	Min speed rpm	Min flow (gpm)	Min Volum. Effic.* %
EG2-04	4.2 (0.27)	4000	16.8 (4.44)	500	2.1 (0.55)	93
EG2-06	6.2 (0.38)	4000	24.8 (6.55)	500	3.1 (0.82)	94
EG2-08	8.3 (0.51)	3500	29.0 (7.66)	500	4.2 (1.11)	95
EG2-11	11.1 (0.68)	3500	38.9 (10.28)	500	5.6 (1.48)	95
EG2-14	14.2 (0.87)	3500	49.6 (13.10)	500	7.1 (1.88)	95
EG2-17	16.7 (1.02)	3500	58.5 (15.45)	500	8.4 (2.22)	95
EG2-20	19.6 (1.20)	3300	64.7 (17.09)	500	9.8 (2.59)	95
EG2-23	22.7 (1.39)	2800	63.6 (16.8)	500	11.4 (3.01)	95
EG2-26	26.1 (1.59)	2500	65.2 (17.22)	500	13.0 (3.43)	95

* Volumetric efficiency at 1500 rpm

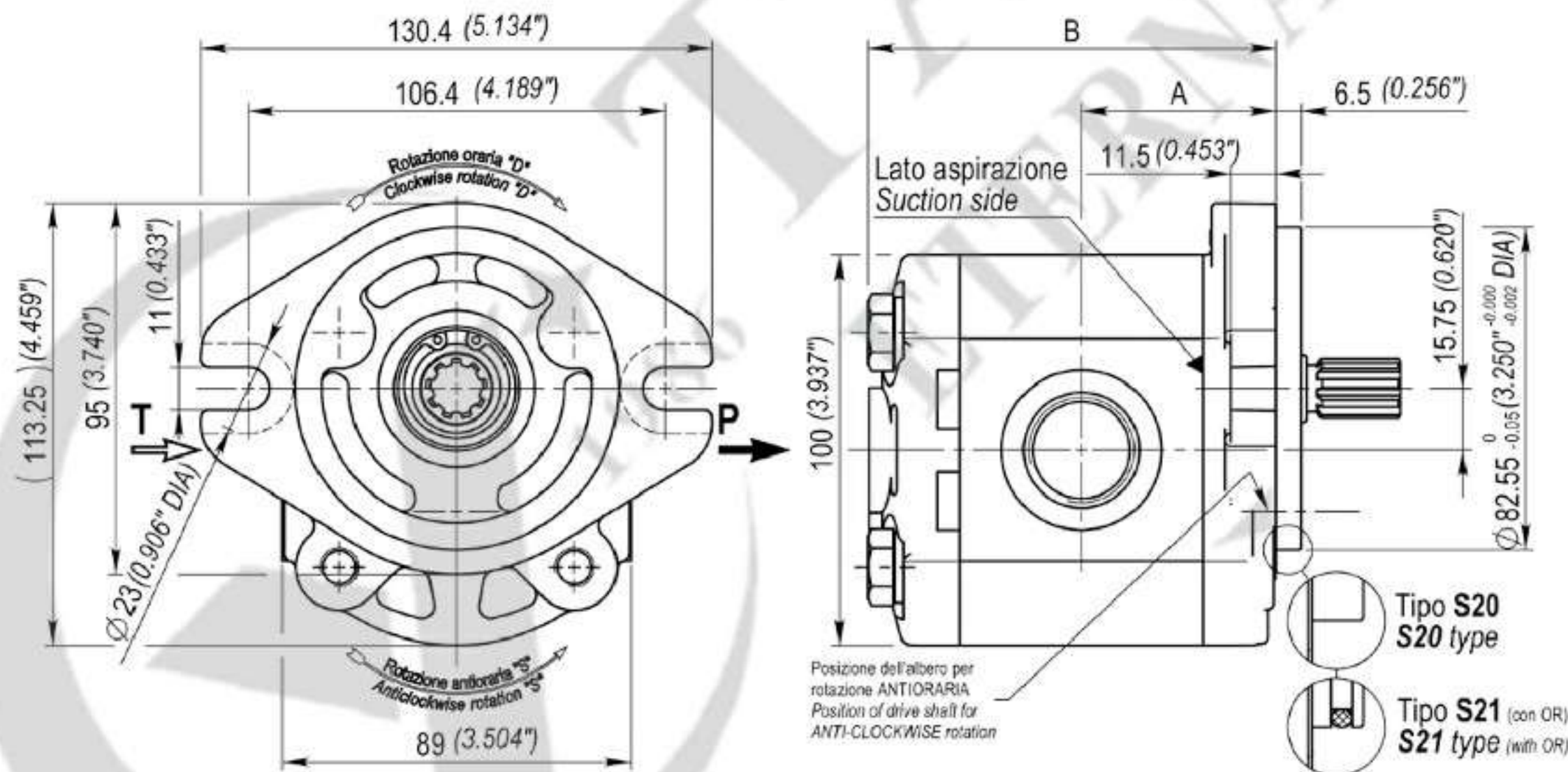


Standard Flange ST0



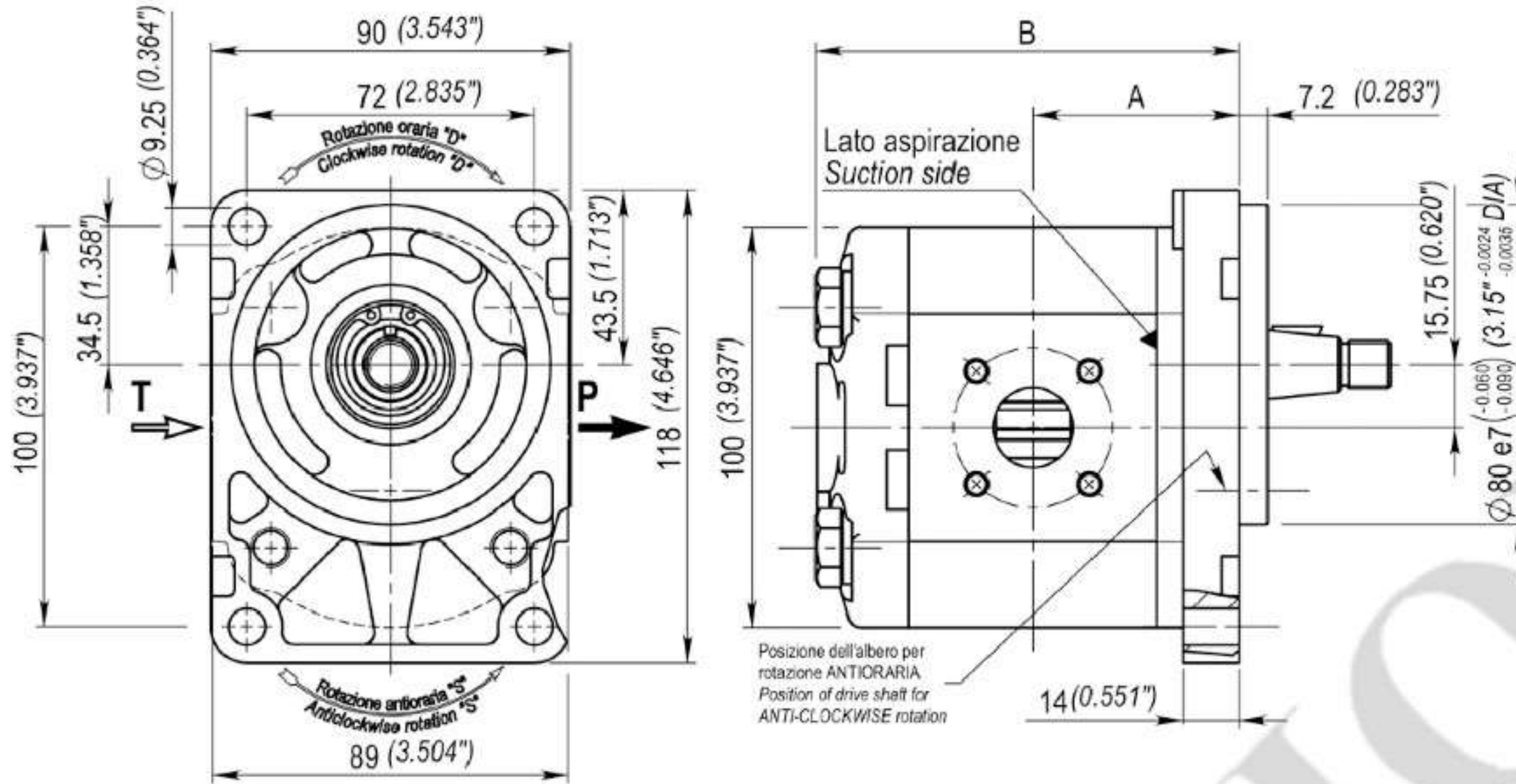
Size		EG2-04	EG2-06	EG2-08	EG2-11	EG2-14	EG2-17	EG2-20	EG2-23	EG2-26
Dimension	A	43.9	45.5	47.3	49.6	52.2	54.3	56.7	59.3	62.1
	mm(in)	(1.73)	(1.79)	(1.86)	(1.95)	(2.06)	(2.14)	(2.32)	(2.34)	(2.45)
Dimension	B	92.6	95.9	99.4	104.1	109.2	113.4	118.2	123.4	129.0
	mm(in)	(3.65)	(3.78)	(3.91)	(4.10)	(4.30)	(4.47)	(4.65)	(4.86)	(5.08)
Weight(kg)		2.16	2.25	2.27	2.46	2.6	2.72	2.85	2.99	3.15

SAE A S20/SAE A-OR S21 Flange



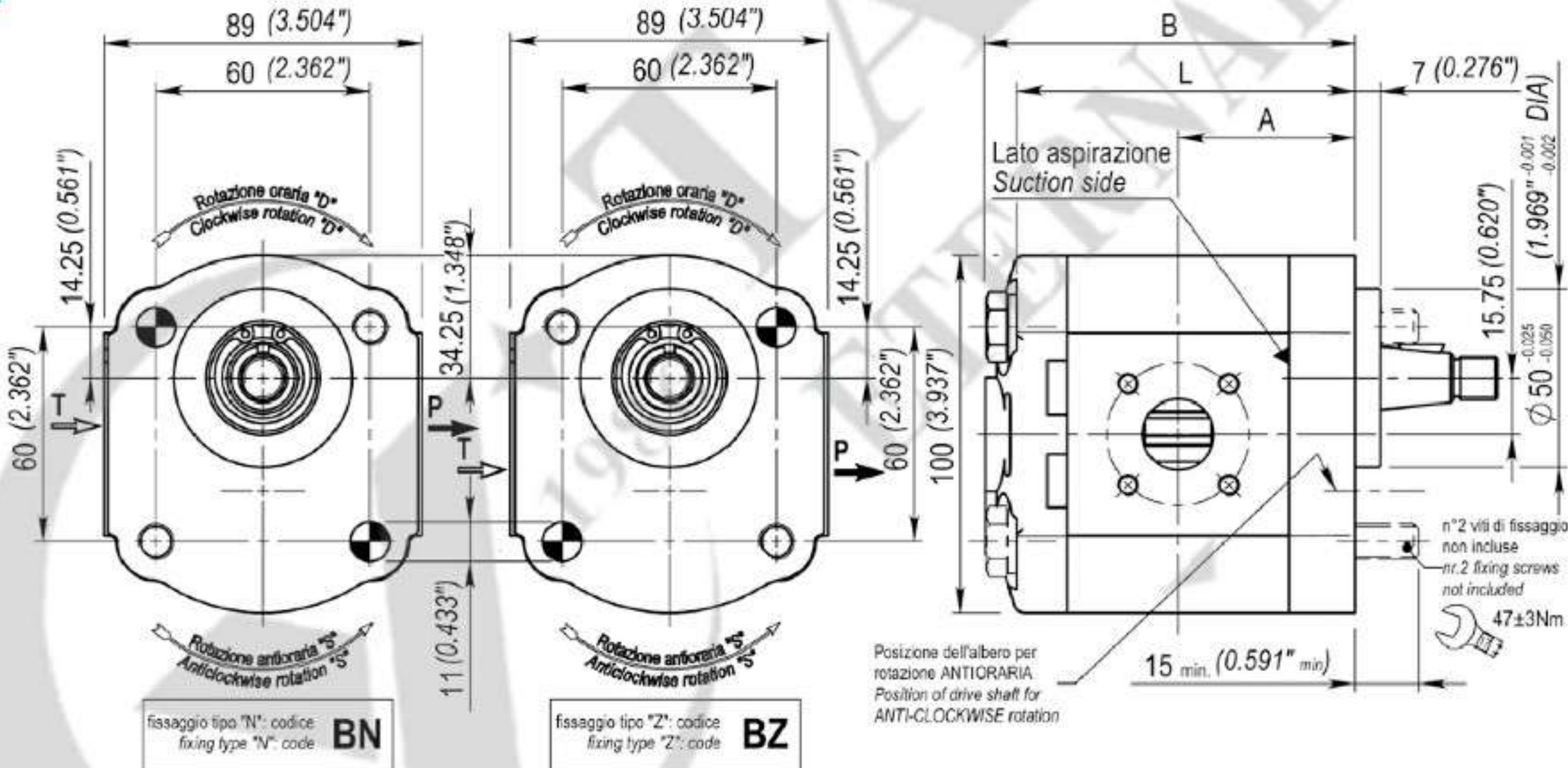
Size		EG2-04	EG2-06	EG2-08	EG2-11	EG2-14	EG2-17	EG2-20	EG2-23	EG2-26
Dimension	A	43.9	45.5	47.3	49.6	52.2	54.3	56.7	59.3	62.1
	mm(in)	(1.73)	(1.79)	(1.86)	(1.95)	(2.06)	(2.14)	(2.32)	(2.34)	(2.45)
Dimension	B	92.6	95.9	99.4	104.1	109.2	113.4	118.2	123.4	129.0
	mm(in)	(3.65)	(3.78)	(3.91)	(4.10)	(4.30)	(4.47)	(4.65)	(4.86)	(5.08)
Weight(kg)		2.18	2.26	2.36	2.48	2.62	2.73	2.87	3.01	3.16

B80 C Flange B80



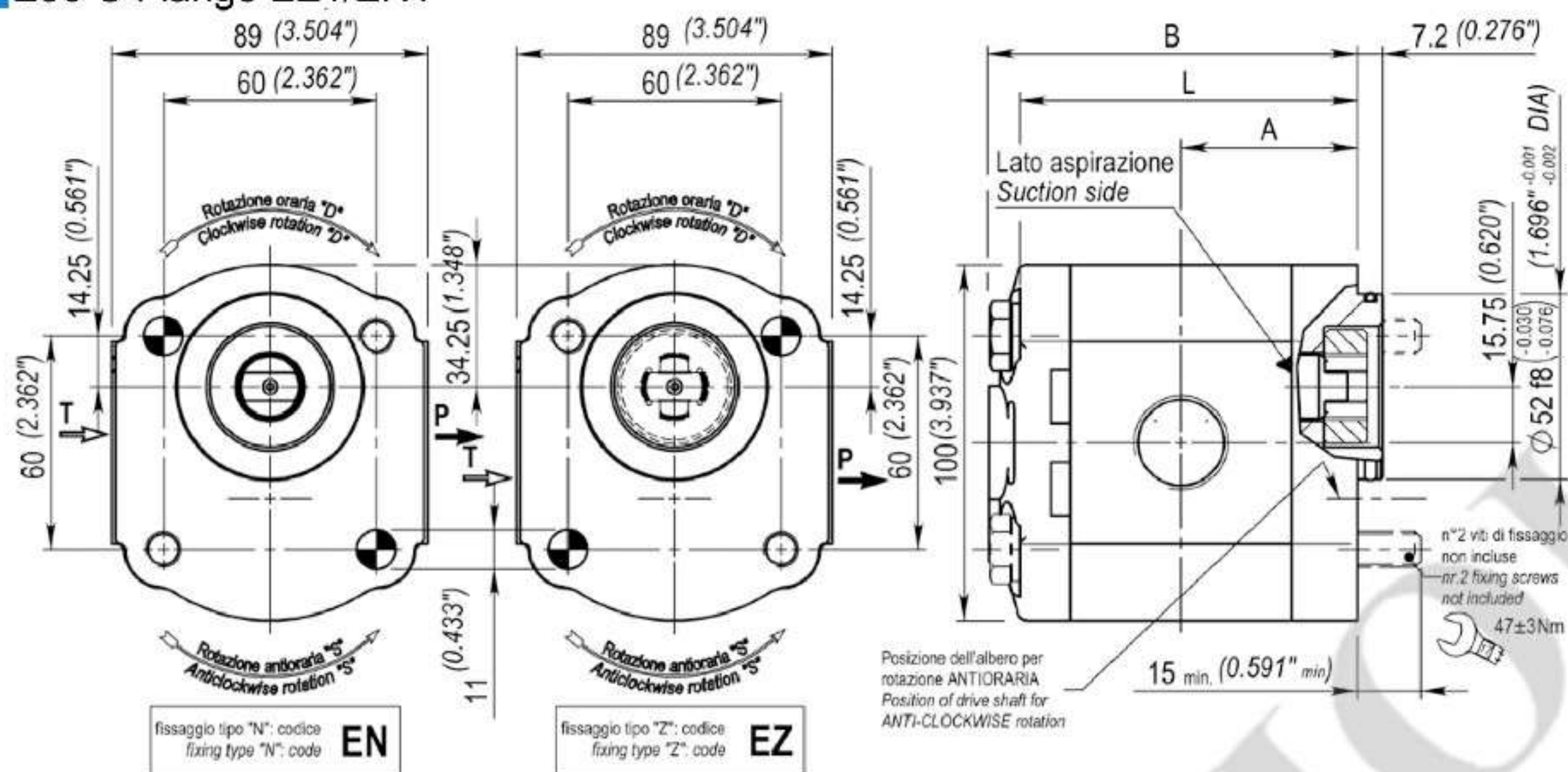
Size		EG2-04	EG2-06	EG2-08	EG2-11	EG2-14	EG2-17	EG2-20	EG2-23	EG2-26
Dimension	A	45.9	47.5	49.3	51.6	54.2	56.3	58.7	61.3	64.1
	mm(in)	(1.81)	(1.87)	(1.94)	(2.03)	(2.13)	(2.22)	(2.31)	(2.41)	(2.52)
Dimension	B	94.6	97.9	101.4	106.1	111.2	115.4	120.2	125.4	131.0
	mm(in)	(3.72)	(3.85)	(3.99)	(4.18)	(4.38)	(4.54)	(4.73)	(4.94)	(5.16)
Weight(kg)		2.23	2.31	2.41	2.52	2.66	2.79	2.92	3.07	3.21

B50 C Flange BZ0/BN0



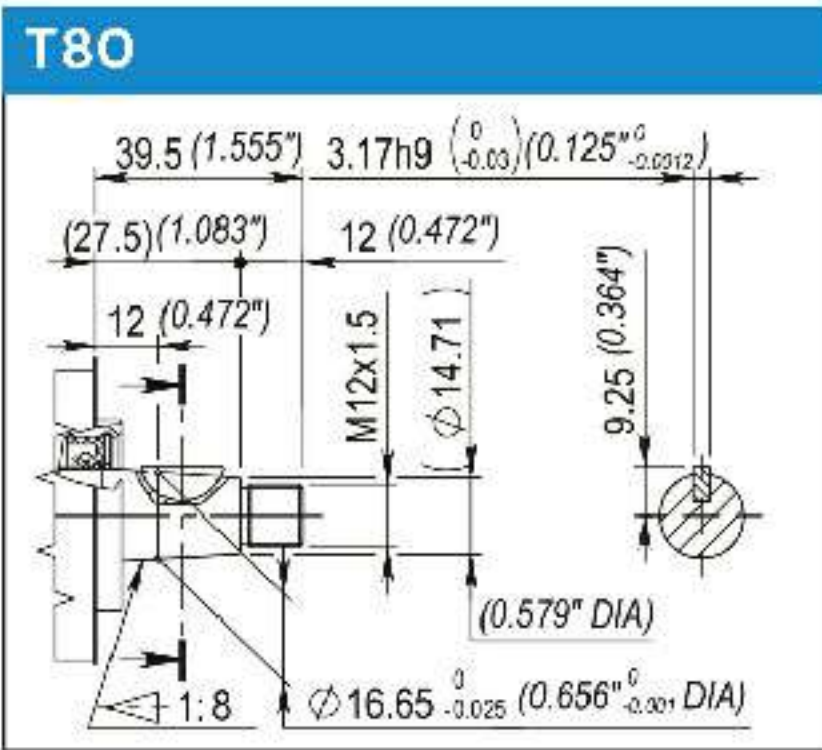
Size		EG2-04	EG2-06	EG2-08	EG2-11	EG2-14	EG2-17	EG2-20	EG2-23	EG2-26
Dimension	A	43.9	45.5	47.3	49.6	52.2	54.3	56.7	59.3	62.1
	mm(in)	(1.73)	(1.79)	(1.86)	(1.95)	(2.06)	(2.14)	(2.32)	(2.34)	(2.45)
	B	92.6	95.9	99.4	104.1	109.2	113.4	118.2	123.4	129.0
Dimension	mm(in)	(3.65)	(3.78)	(3.91)	(4.10)	(4.30)	(4.47)	(4.65)	(4.86)	(5.08)
	L	83.5	86.8	90.3	95.0	100.1	104.3	109.1	114.3	119.9
Dimension	mm(in)	(3.29)	(3.42)	(3.56)	(3.74)	(3.94)	(4.106)	(4.30)	(4.50)	(4.72)
	Weight(kg)	2	2.09	2.18	2.3	2.43	2.54	2.67	2.8	2.95

E50 C Flange EZ1/EN1

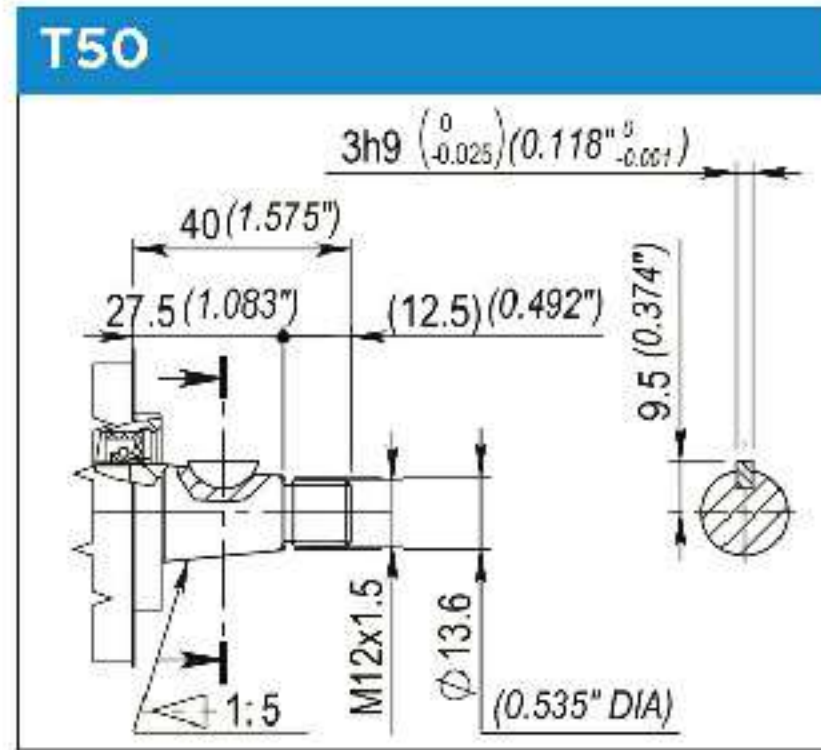


Size		EG2-04	EG2-06	EG2-08	EG2-11	EG2-14	EG2-17	EG2-20	EG2-23	EG2-26
Dimension	A	43.9	45.5	47.3	49.6	52.2	54.3	56.7	59.3	62.1
	mm(in)	(1.73)	(1.79)	(1.86)	(1.95)	(2.06)	(2.14)	(2.32)	(2.34)	(2.45)
	B	92.6	95.9	99.4	104.1	109.2	113.4	118.2	123.4	129.0
	mm(in)	(3.65)	(3.78)	(3.91)	(4.10)	(4.30)	(4.47)	(4.65)	(4.86)	(5.08)
	L	83.5	86.8	90.3	95.0	100.1	104.3	109.1	114.3	119.9
	mm(in)	(3.29)	(3.42)	(3.56)	(3.74)	(3.94)	(4.106)	(4.30)	(4.50)	(4.72)
Weight(kg)		1.91	1.99	2.08	2.2	2.33	2.44	2.57	2.71	2.85

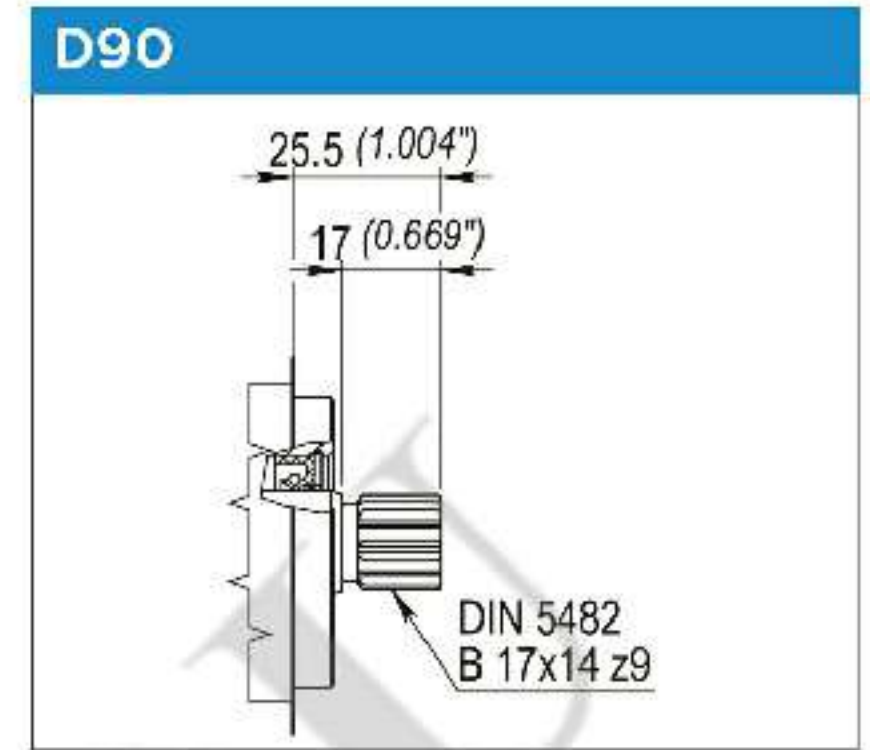
Shafts



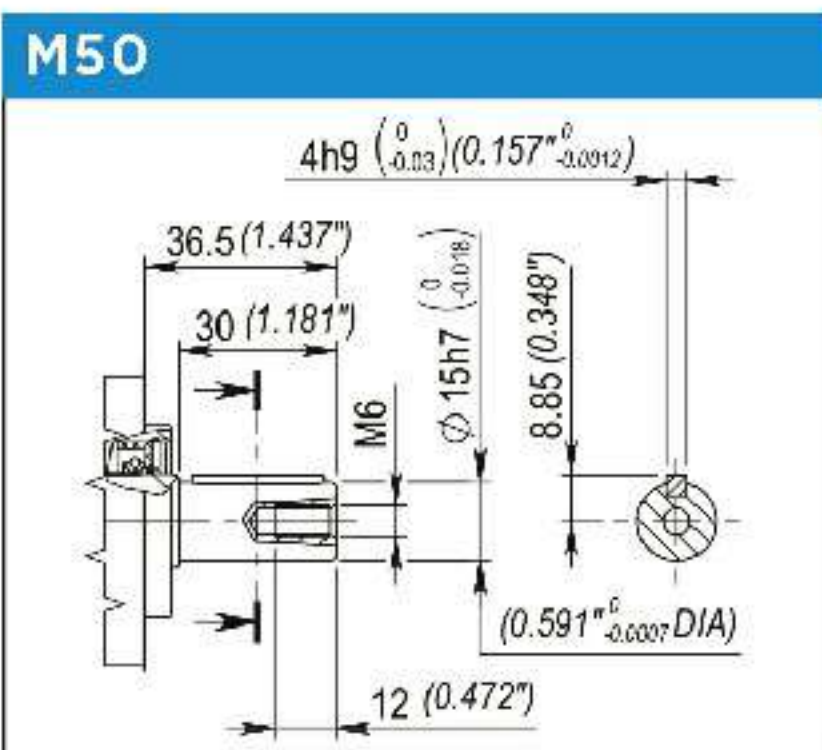
TAPER 1:8
Max torque 135 Nm



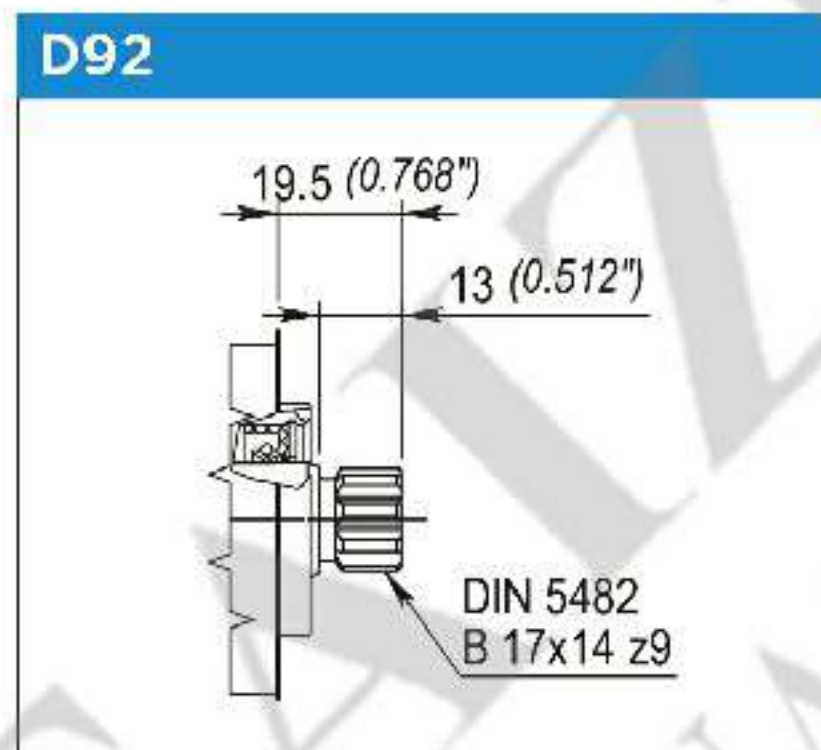
TAPER 1:5
Max torque 140 Nm



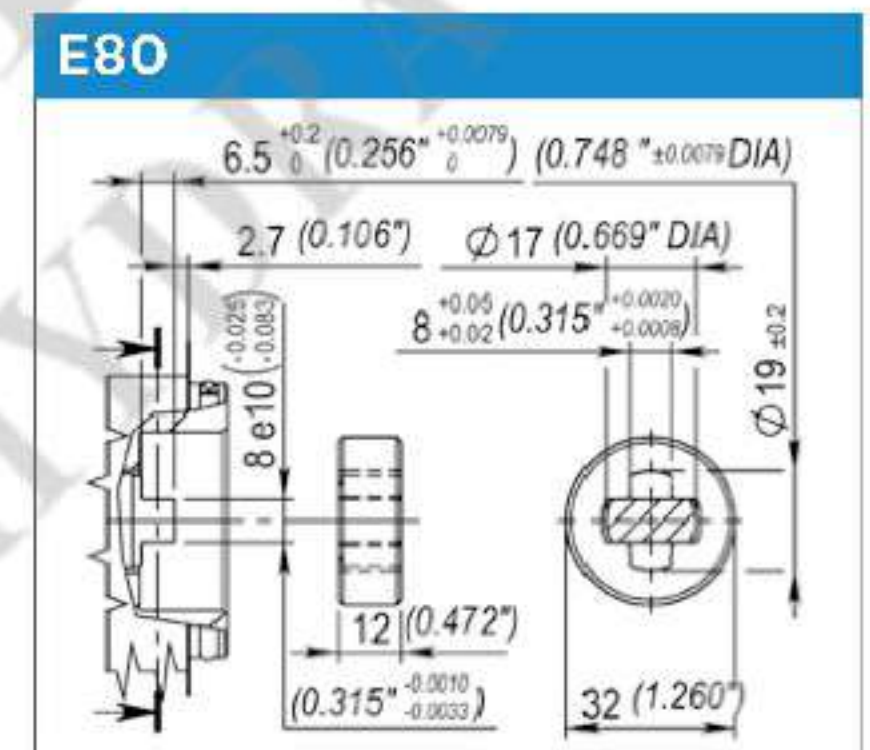
DIN Z9 GERMAN FLANGE
Max torque 110 Nm



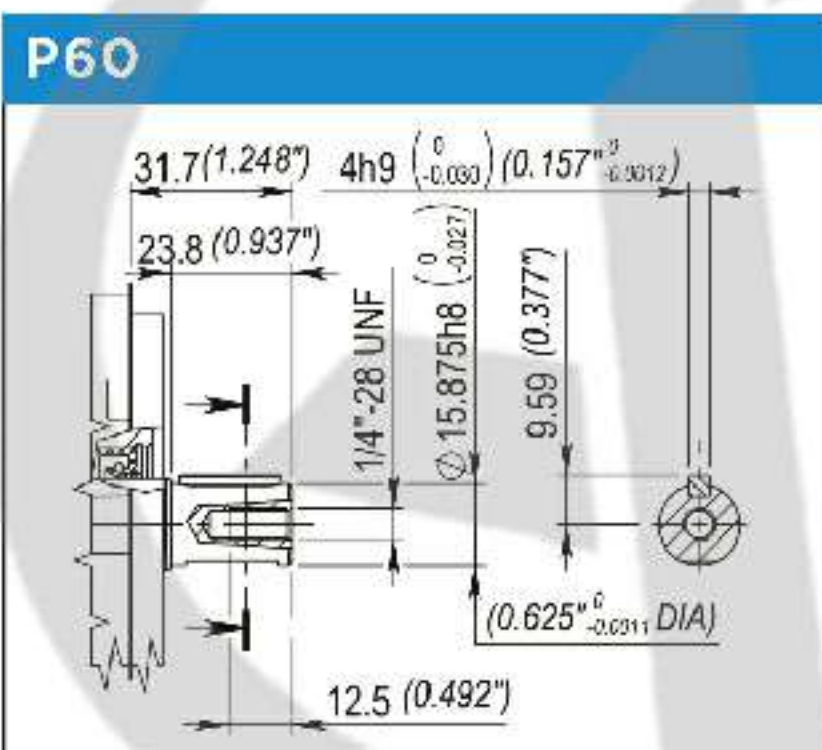
CYLINDRICAL
Max torque 90 Nm



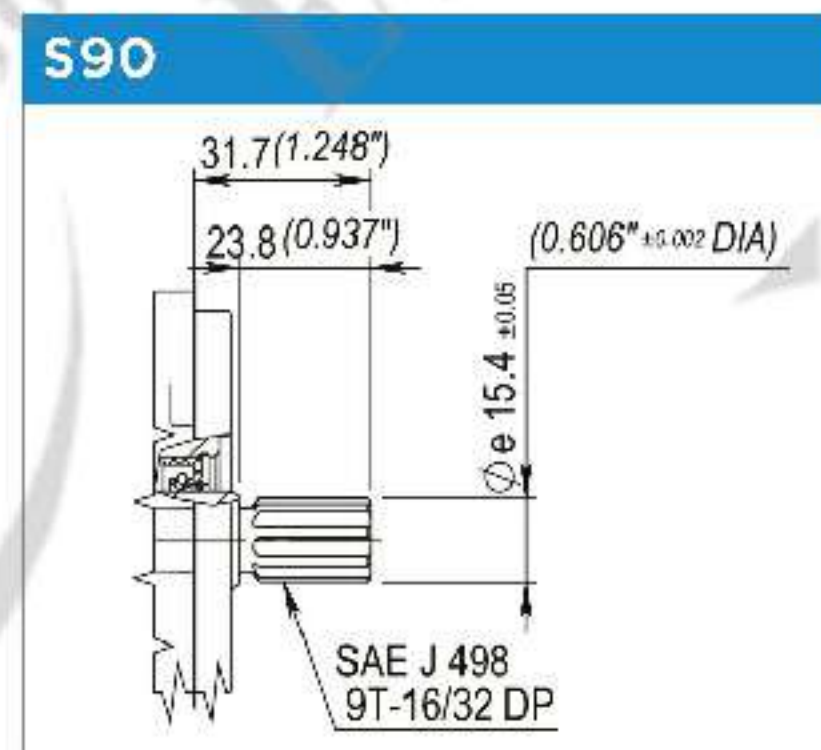
DIN Z9 STANDARD FLANGE
Max torque 110 Nm



TANG DRIVE FOR ELECTRIC MOTOR
Max torque 70 Nm



SAE CYLINDRICAL
Max torque 85 Nm



SAE SPLINED 9 TEETH
Max torque 85 Nm

When assembled with B80 C flange (B80 code) the shaft dimensions must be reduced by 0.079 in. (2 mm)

Port Dimension

EUROPEAN STANDARD					
Size	Code	D	F	M	e
04-08	EE4	30 (1.18)	13 (0.51)	M6	13 (0.51)
11-26	EE5	40 (1.58)	19 (0.75)	M8	15 (0.59)

EUROPEAN STANDARD FOR MOTORS	
Size	Code
04-08	/
11-26	EE6

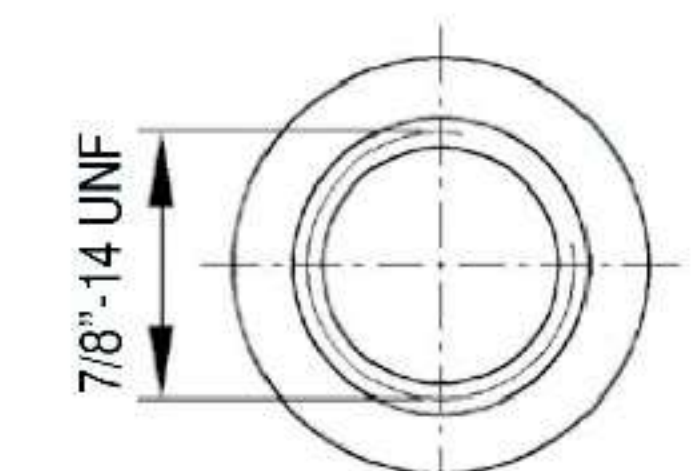
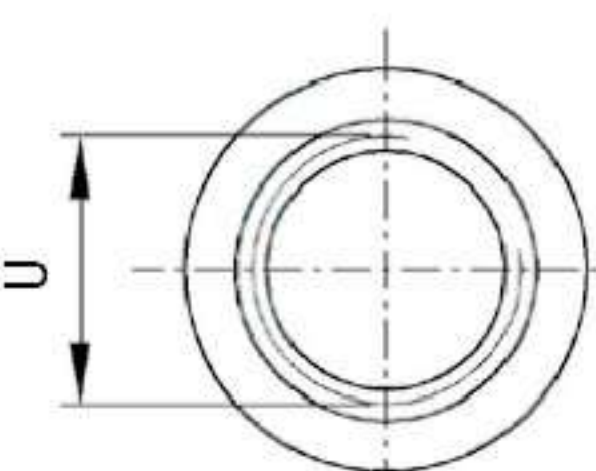
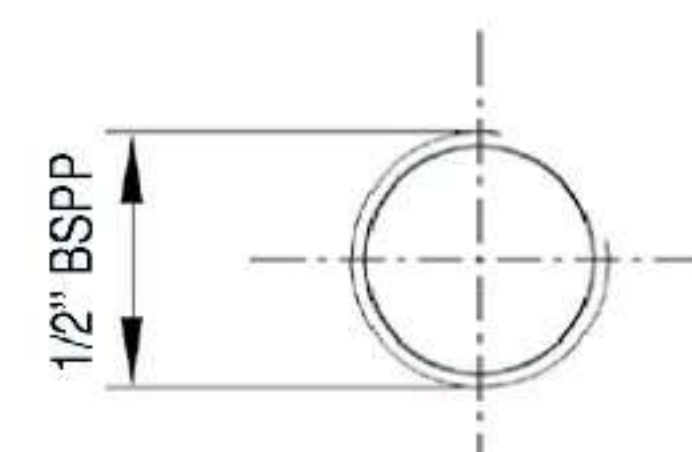
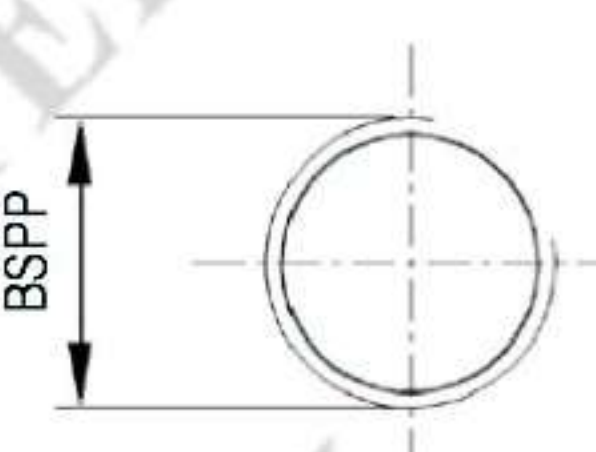
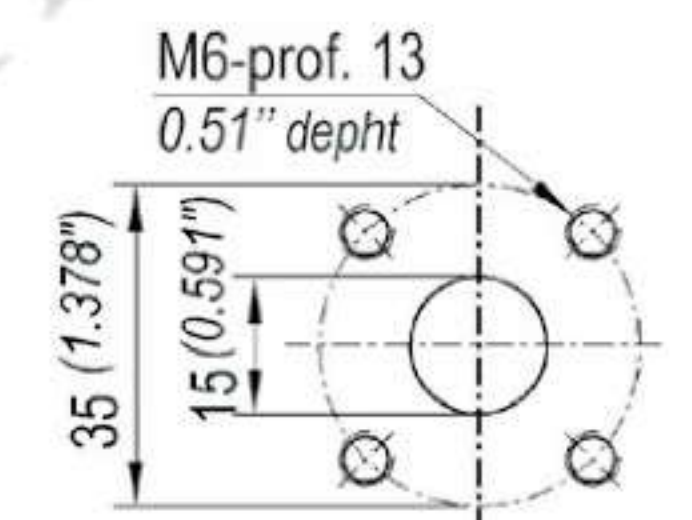
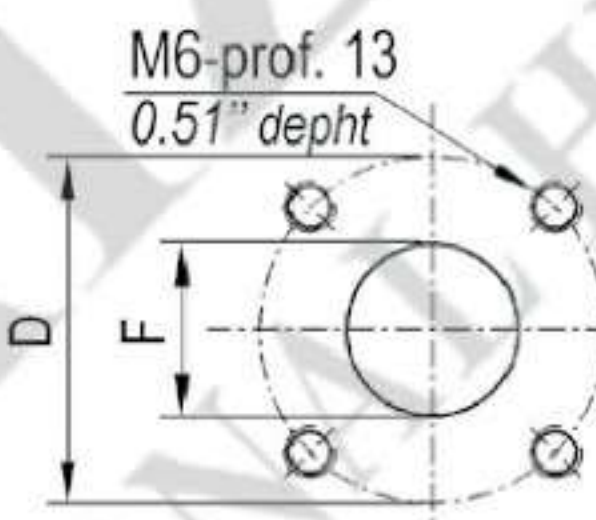
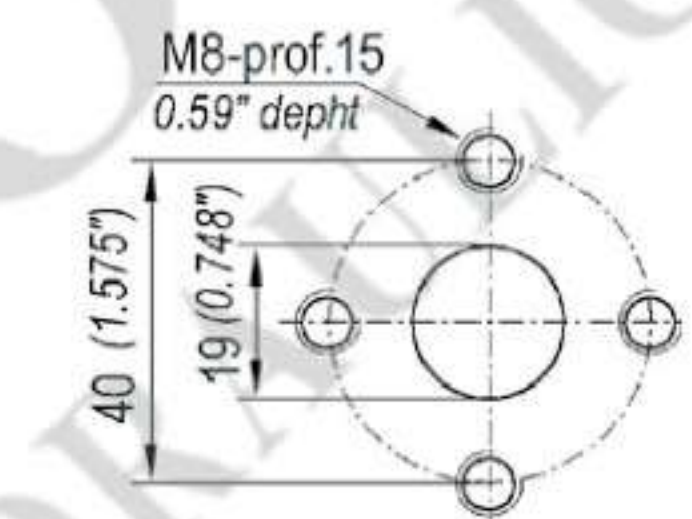
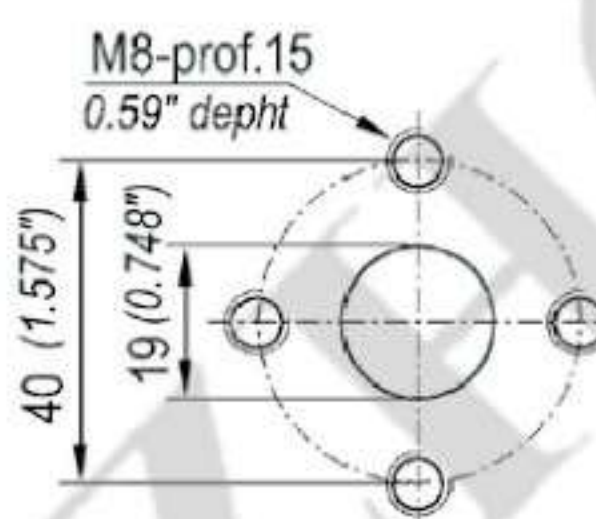
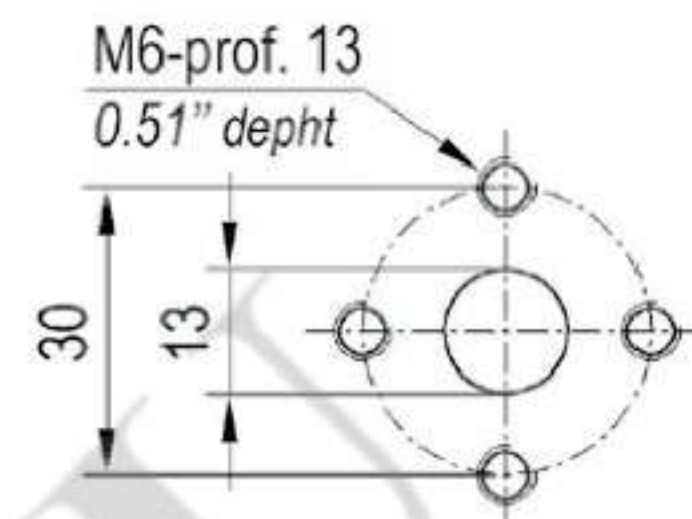
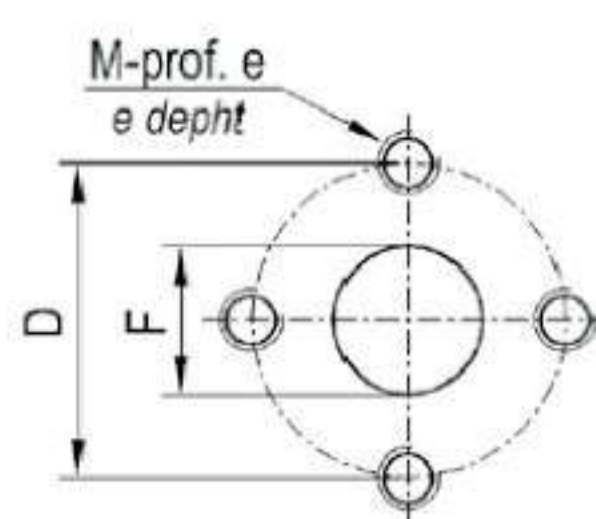
GERMAN UNIFICATION			
Size	Code	D	F
04-08	TT4	35 (1.38)	15 (0.59)
11-26	TT5	40 (1.58)	20 (0.79)

BSPP THREADS		
Size	Code	BSPP
04-08	GG4	1/2" BSPP
11-26	GG5	3/4" BSPP

FILETTATURE SAE - SAE THREADS		
Size	Code	U
04-08	UU4	7/8"-14 UNF
11-26	UU6	1-1/16"-12 UNF

Inlet Port

Outlet Port



型号说明 Model Code

①	EG3	CODE	
②	A	FLANGE AND COVER	A Aluminium G Cast iron (Heavy duty)
③	19	DISPLACEMENT	19 19.05 22 22.2 28 28.3 33 33.2 37 37.2 44 43.98 52 51.9 61 61.4
④	ST0	FLANGE	ST0 S20/S21
⑤	T80	SHAFT	T80 S30 P20
⑥	EE5	CONNECTION	EE5 TT5 GG5 UU5
⑦	D	ROTATION	D Clockwise rotation S Anticlockwise rotation
⑧	0	STANDARD COVER	0 Standard
⑨	0	SEALS	0 Nbr seals V Viton® seals

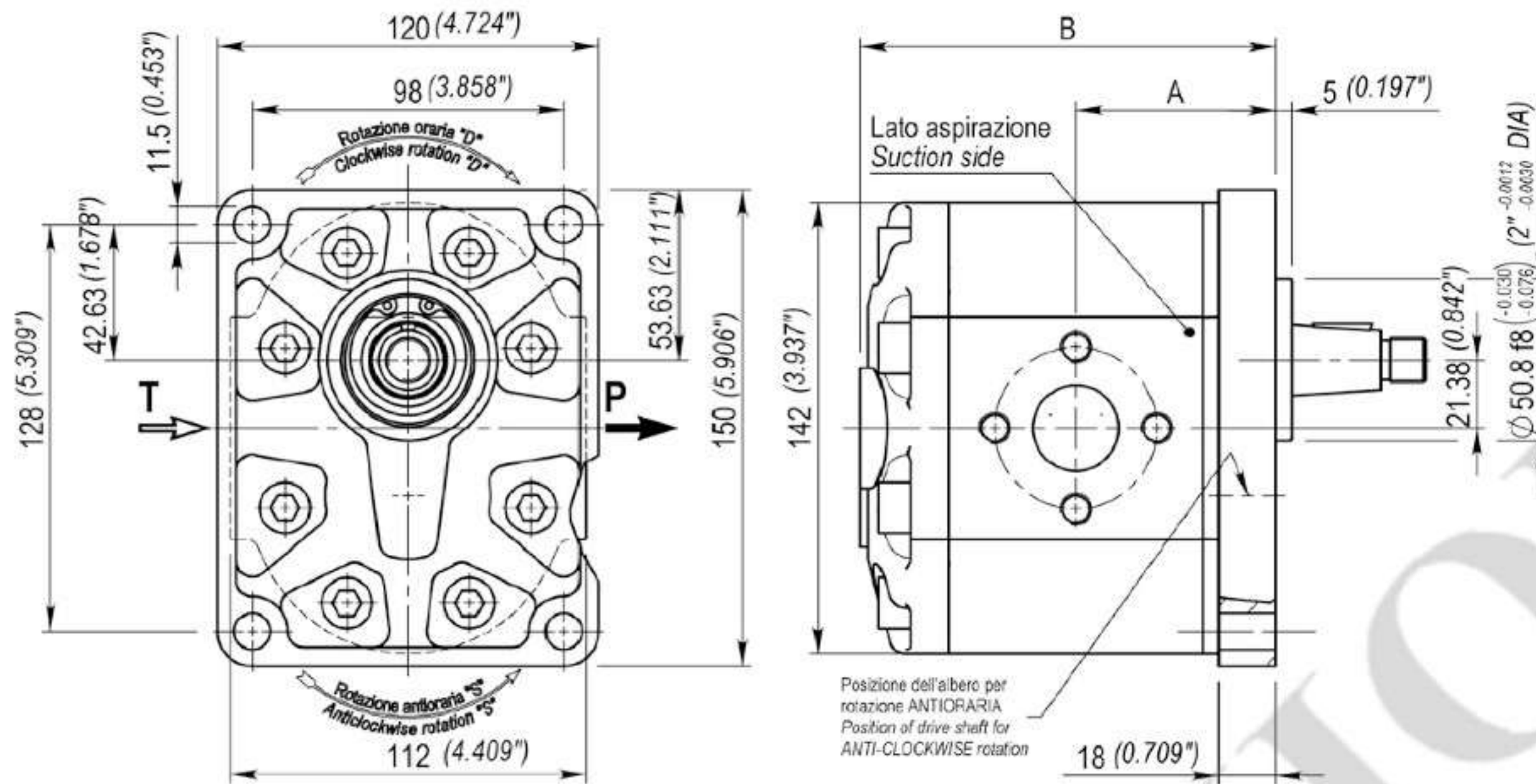
性能参数 Specification

Size	Displacement (in ³ /rev)	Max speed rpm	Max flow (gpm)	Min speed rpm	Min flow (gpm)	Min Volum. Effic.* %
EG3-19	19.05 (1.22)	3500	66.7 (17.6)	700	13.3 (3.51)	95
EG3-22	22.2 (1.42)	3500	77.8 (20.5)	700	15.6 (4.12)	95
EG3-28	28.3 (1.82)	3300	93.5 (24.7)	700	19.8 (5.23)	95
EG3-33	33.2 (2.13)	3300	109.4 (28.9)	700	23.2 (6.12)	95
EG3-37	37.2 (2.38)	3300	122.6 (32.4)	700	26.0 (6.86)	95
EG3-44	43.98 (2.82)	3000	131.9 (34.8)	700	30.8 (8.13)	95
EG3-52	51.9 (3.33)	3000	155.6 (41.1)	700	36.3 (9.58)	95
EG3-61	61.4 (3.94)	2500	153.5 (40.5)	700	43.0 (11.35)	95

* Volumetric efficiency at 1500 rpm

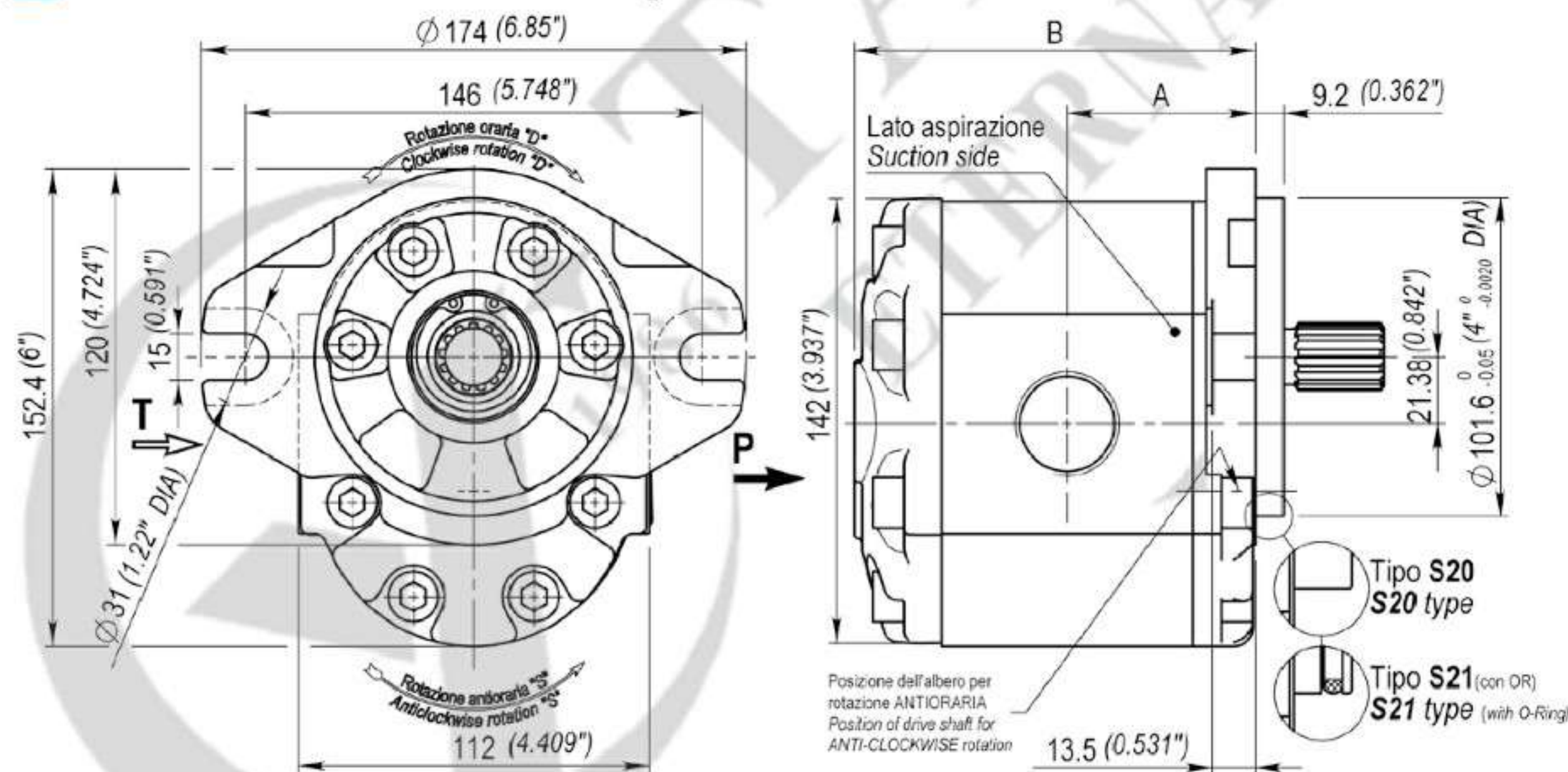


Standard Flange ST0



Size		EG3-19	EG3-22	EG3-28	EG3-33	EG3-37	EG3-44	EG3-52	EG3-61
Dimension	A	62.95	64.3	66.9	68.9	70.6	73.6	76.9	81
	mm(in)	(2.48)	(2.53)	(2.63)	(2.71)	(2.78)	(2.90)	(3.03)	(3.19)
Dimension	B	130.9	133.6	138.8	142.9	146.3	152.1	158.8	166.9
	mm(in)	(5.15)	(5.26)	(5.46)	(5.63)	(5.76)	(5.99)	(6.25)	(6.57)
Weight(kg)		4.98	5.1	5.34	5.52	5.68	5.93	6.24	6.6

SAE B S20/SAE B -OR S21 Flange



Size		EG3-19	EG3-22	EG3-28	EG3-33	EG3-37	EG3-44	EG3-52	EG3-61
Dimension	A	60.2	61.5	64.1	66.2	67.9	70.8	74.1	78.2
	mm(in)	(2.37)	(2.42)	(2.52)	(2.60)	(2.67)	(2.79)	(2.92)	(3.08)
Dimension	B	128	130.8	136	140.1	143.5	149.3	156	164.1
	mm(in)	(5.04)	(5.15)	(5.35)	(5.52)	(5.65)	(5.88)	(6.14)	(6.46)
Weight(kg)		4.98	5.1	5.34	5.52	5.68	5.93	6.24	6.6

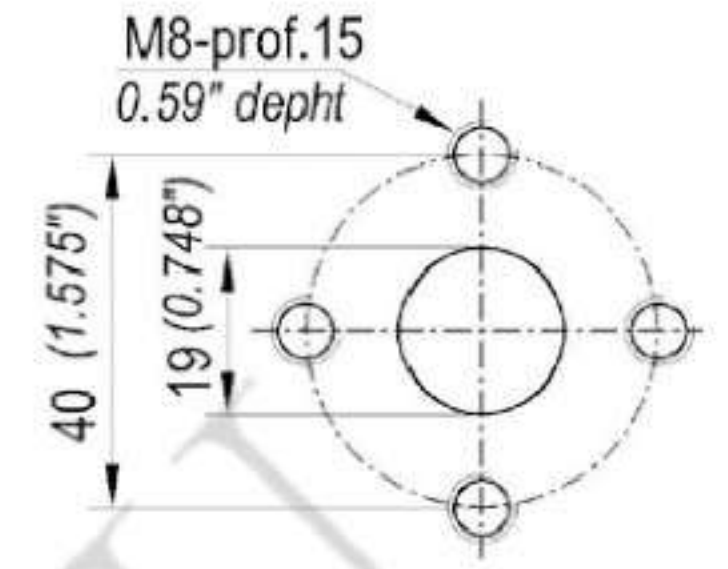
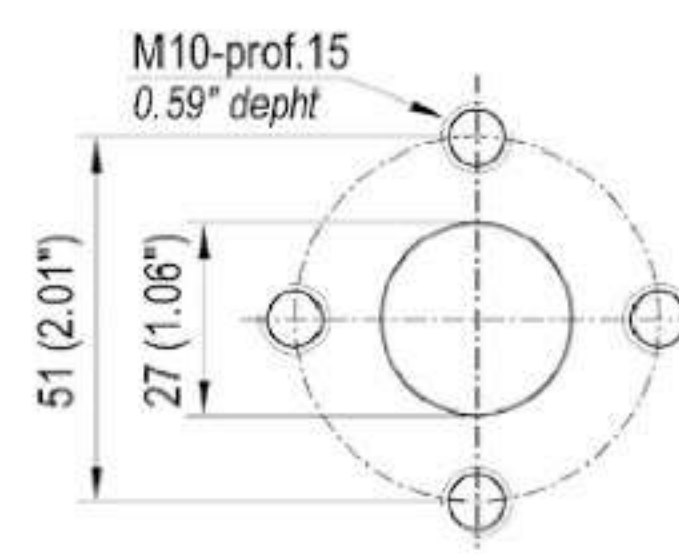
Port Dimension

Inlet Port

Outlet Port

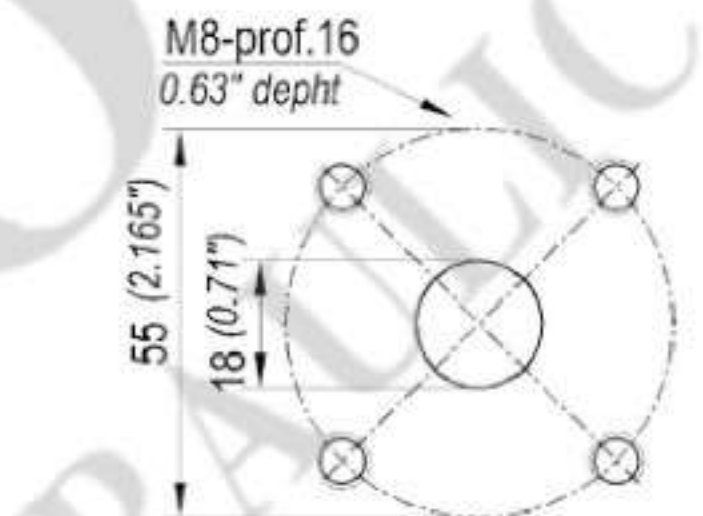
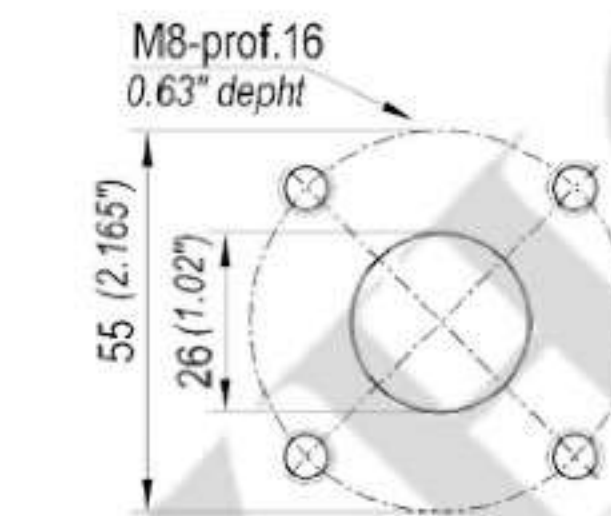
EUROPEAN STANDARD

Size	Code
19 - 61	EE5



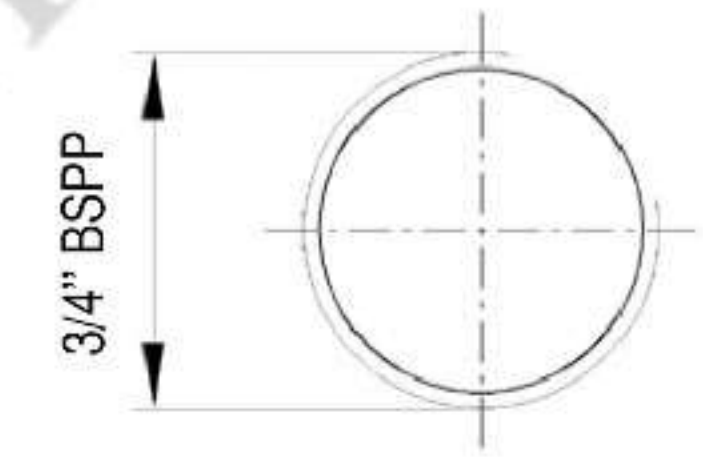
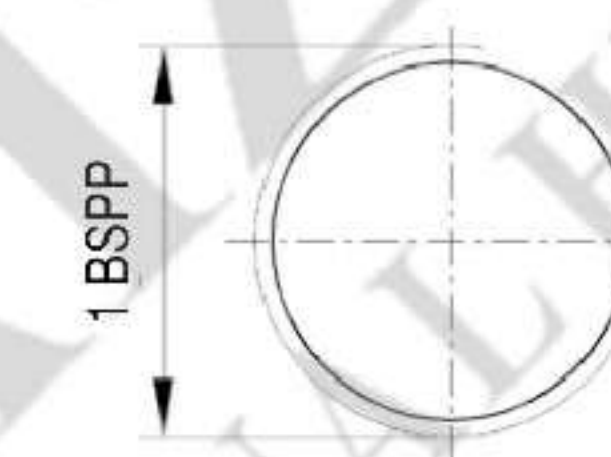
GERMAN UNIFICATION

Size	Code
19 - 61	TT5



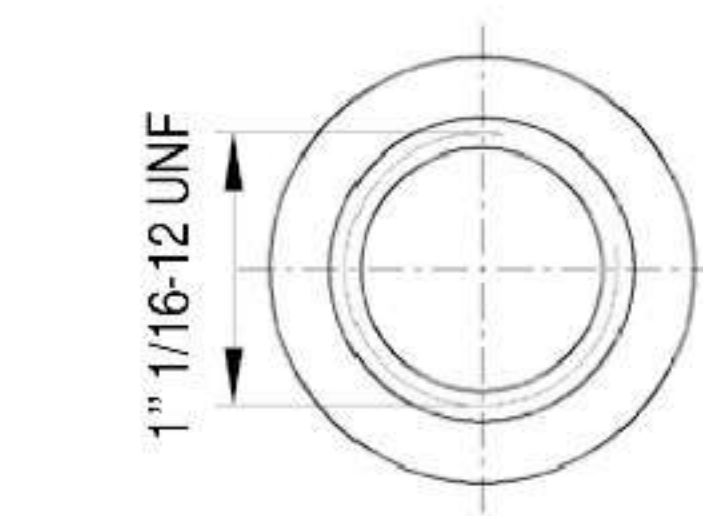
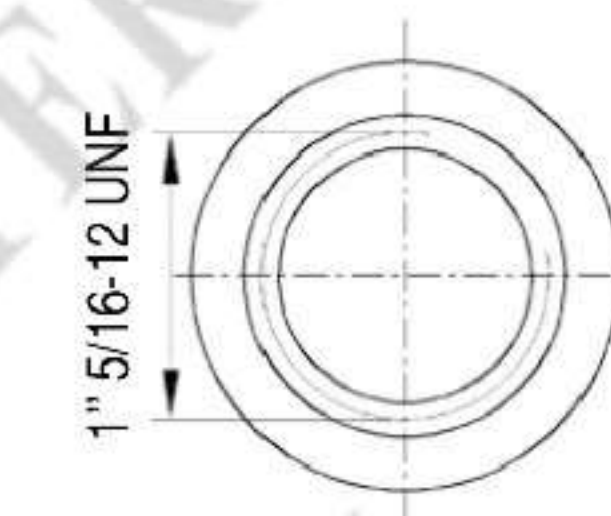
BSPP THREADS

Size	Code
19 - 61	GG5



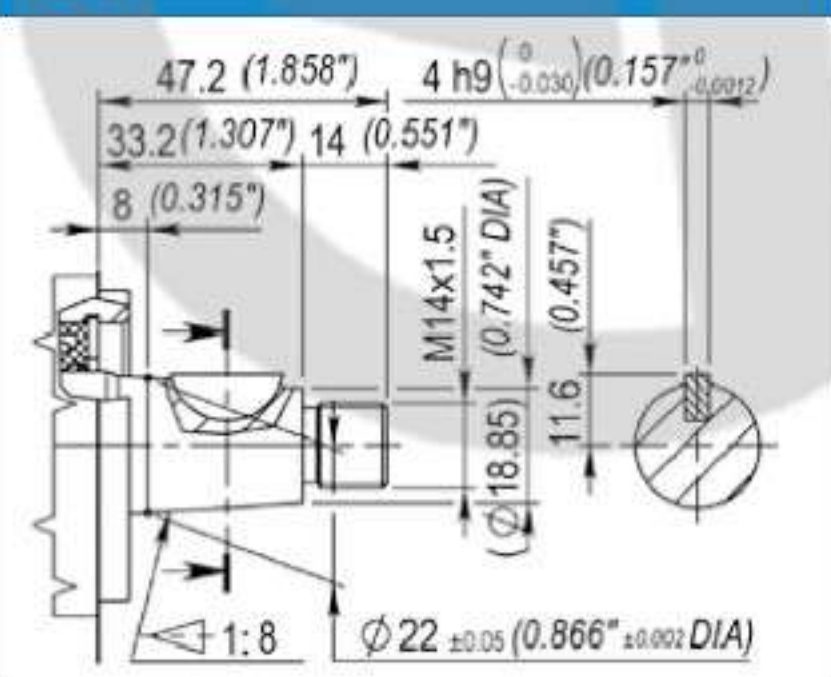
SAE THREADS

Size	Code
19 - 61	UU5



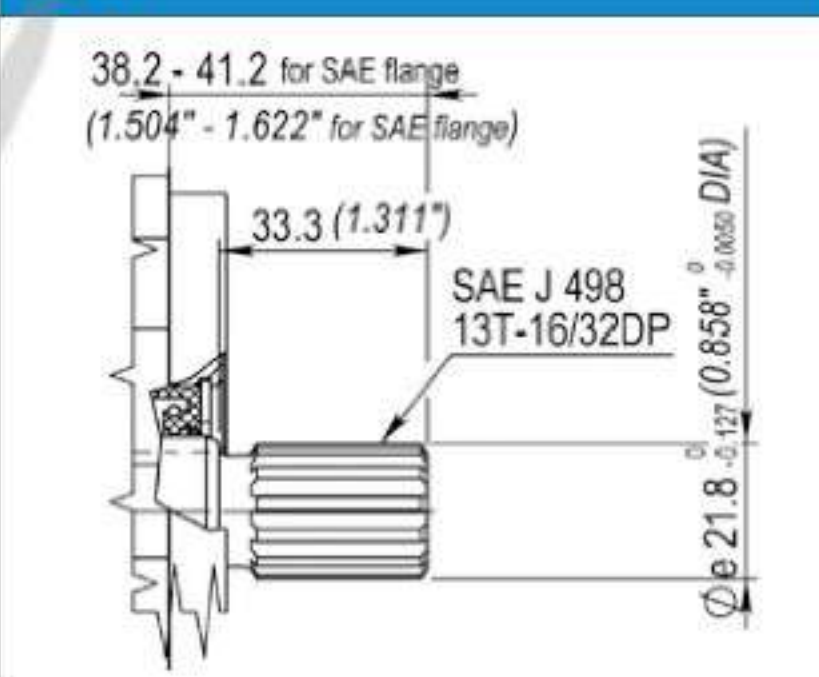
Shafts

T80



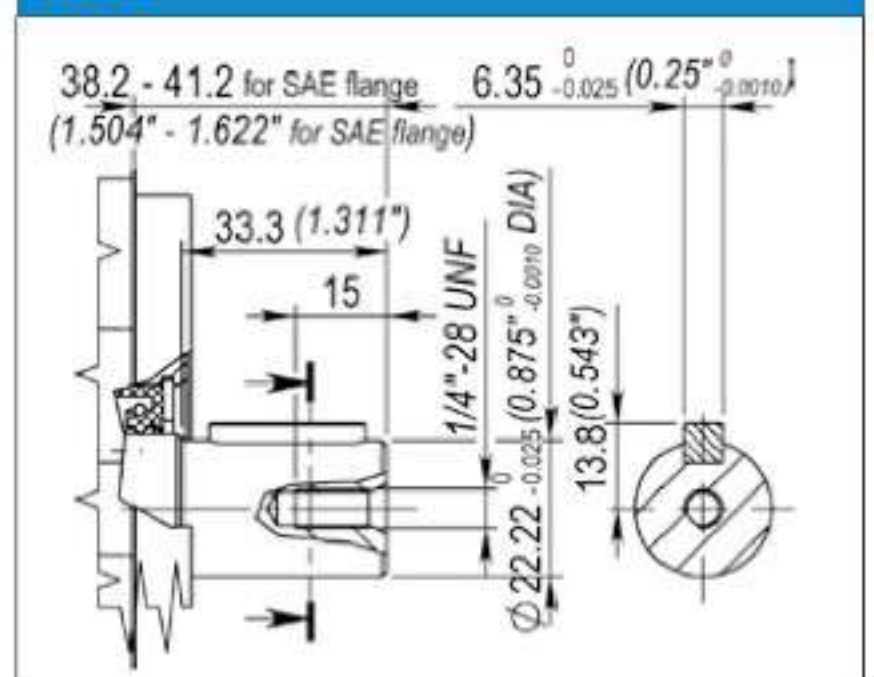
TAPER 1:8
Max torque 280 Nm

S30



SAE SPLINED
Max torque 300 Nm

P20



SAE CYLINDRICAL
Max torque 220 Nm